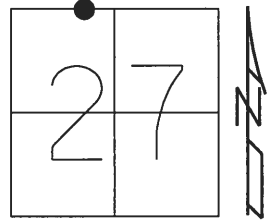


O.D.O.T. DISTRICT 2 SURVEY OFFICE (USE ONLY)

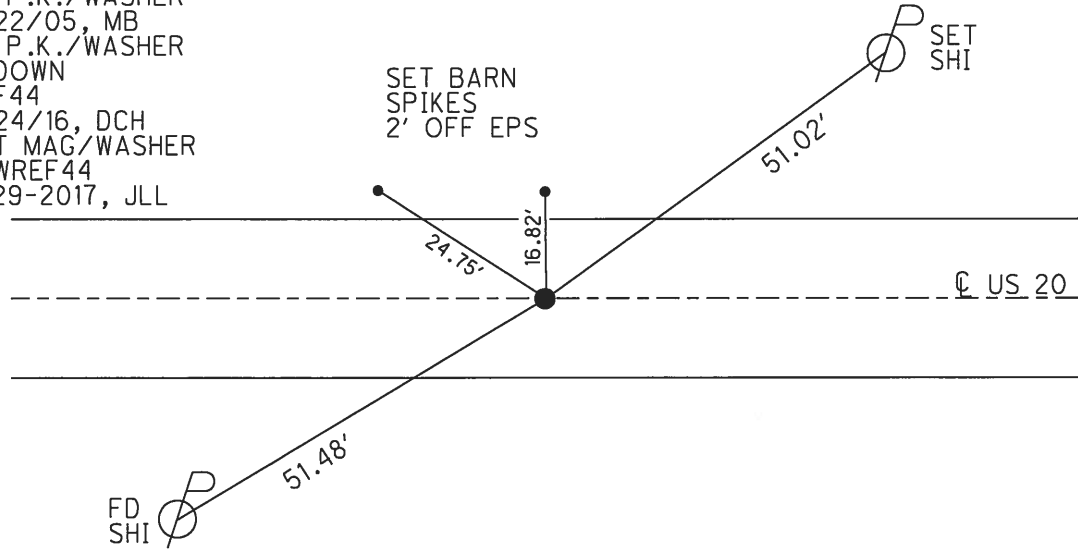
PERSONNEL \_\_\_\_\_ REFERENCE NO. 44 SHEET 13 OF 24  
 NOTES POORE DATE 8-03-2017 ROUTE US 20  
 H.C. LEU WEATHER SUNNY COUNTY WILLIAMS  
 R.C. CARSON TEMP. 75° F TOWNSHIP MADISON  
 \_\_\_\_\_ HOMAN SECTION 27  
 T 9 S R 2 W

TYPE MONUMENT P.K./WASHER  
~~ON SURFACE~~ - BELOW 1"  
 LEFT - ☉ PAV'T - RIGHT ON  
12.2' TO LT EDGE PAVEMENT  
 S.L.M. 832+79.86



Grid: Northing: 734729.385 Easting: 1415080.225

RECORD:  
 1929 PLAN  
 $\Delta = 0^\circ 12' \text{ LT.}$   
 $\Delta = 0^\circ 15' 43'' \text{ LT (M)}$   
 SET SM.R.R.SPIKE  
 8-31-88, IRS  
 FD SM.R.R.SPIKE  
 5/6/98, SAH  
 SET P.K./WASHER  
 11-13-98, SAH  
 FD P.K./WASHER  
 7/22/05, MB  
 FD P.K./WASHER  
 1" DOWN  
 REF44  
 5/24/16, DCH  
 SET MAG/WASHER  
 NEWREF44  
 9-29-2017, JLL



# O.D.O.T. DISTRICT 2 SURVEY OFFICE

PERSONNEL

REFERENCE NO. 44

SHEET 12 OF 16

NOTES Huss

H.C. VanRusen

R.C. Cardes

DATE 5-6-98

WEATHER Pt. Cldy-Fair

TEMP. +62°F

ROUTE US-20

COUNTY Williams

TOWNSHIP Madison

SECTION 27

T      R     

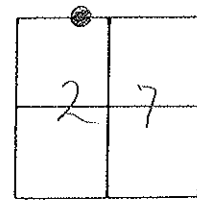
TYPE MONUMENT SMALL RR. SPK.

ON SURFACE - ~~BELOW~~ YES

~~LEFT~~ - Q. PAV'T. - ~~RIGHT~~ YES

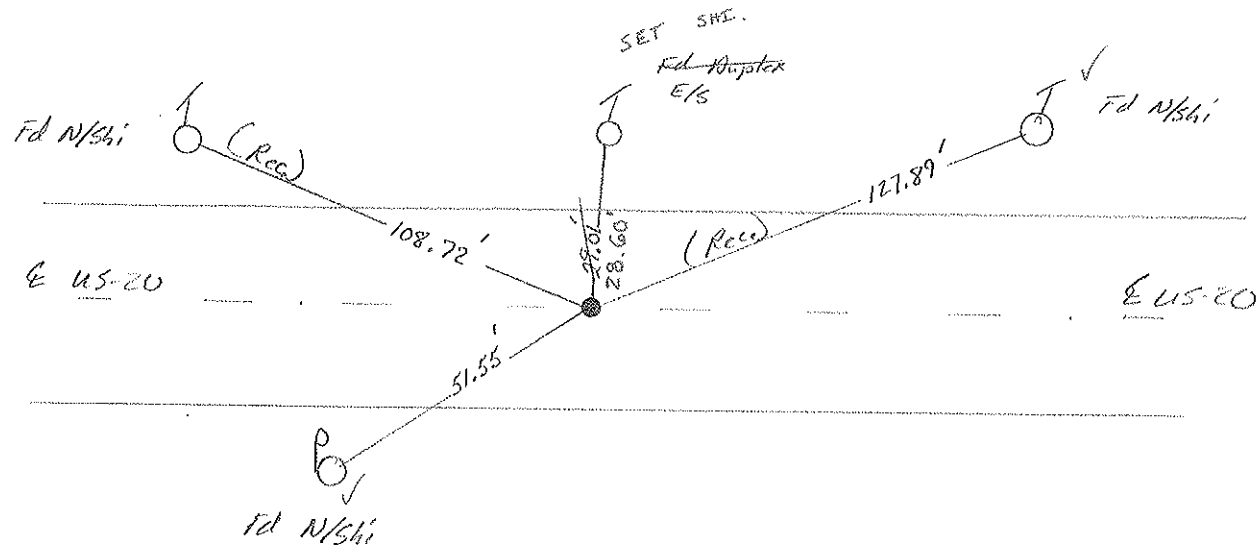
12.2' TO Lt. EDGE PAVEMENT

S.L.M. 832742 830+89



*Record: This pt. is only 2303' East of Ret. #43 and is not the N 1/4 Corn. of Sec 27 as noted in previous notes*

*Set PKW 11-13-98 SMV*



Preventive Maintenance  
Smooth Seal 2005  
Exist. Point Uncovered  
Date 7/22/05 M.B.