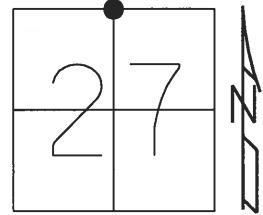


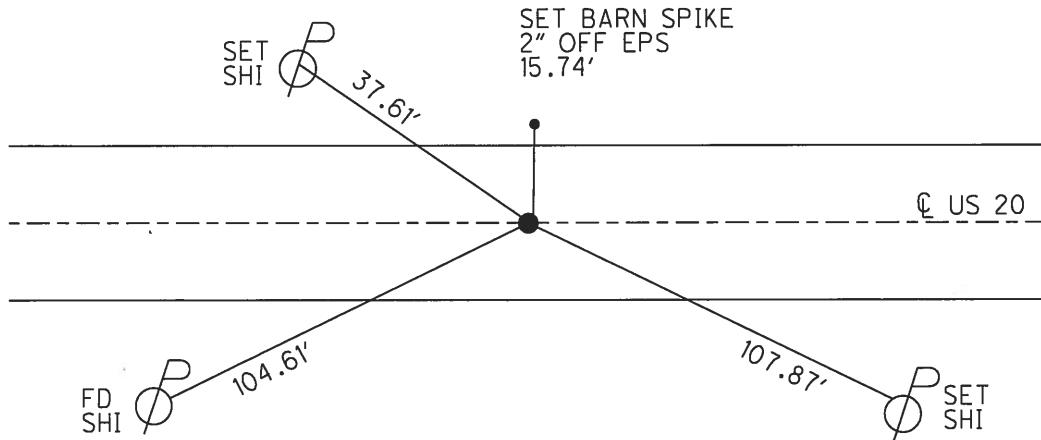
O.D.O.T. DISTRICT 2 SURVEY OFFICE (USE ONLY)

PERSONNEL _____ REFERENCE NO. 44 A SHEET 14 OF 24
 NOTES POORE DATE 8-03-17 ROUTE US 20
 H.C. LEU WEATHER SUNNY COUNTY WILLIAMS
 R.C. CARSON TEMP. 75° F TOWNSHIP MADISON
 _____ HOMAN _____ SECTION 27
 _____ T 9 S R 2 W

TYPE MONUMENT P.K.SHANK
~~ON SURFACE~~ - BELOW 1"
 LEFT - ☉ PAV'T - ~~RIGHT~~ 1.0'
10.7' TO LT EDGE PAVEMENT
 S.L.M. 836+13.24
 Grid: Northing: 734725.835 Easting: 1415413.740



RECORD:
 1929 PLAN
 Δ= 0° 21' RT (R)
 Δ= 0° 24' 06" RT (M)
 SET SM.R.R.SPIKE
 8-31-88, IRS
 FD SM.R.R.SPIKE
 5/6/98, SAH
 SET P.K./WASHER
 11-13-98, SAH
 FD P.K./WASHER
 7/22/05, MB
 FD P.K.SHANK
 1" DOWN
 REFA44
 5/24/16, DCH
 SET MAG/WASHER
 NEWREFA44
 3/14/18, JLL



O.D.O.T. DISTRICT 2 SURVEY OFFICE

PERSONNEL

REFERENCE NO. 44-A

SHEET 13 OF 16

NOTES Huss

H.C. VanNusen

DATE 5-6-98

ROUTE US-20

R.C. Cordes

WEATHER Pt Clay-Fair

COUNTY Williams

TEMP. +62°F

TOWNSHIP Madison

SECTION 27

T 9 S R 2 W

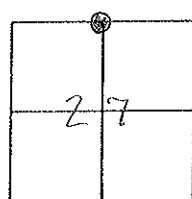
TYPE MONUMENT SMALL RR. SPK.

ON SURFACE - ~~BELOW~~ YES

LEFT - ~~PAV'T.~~ - RIGHT 1.5' LT

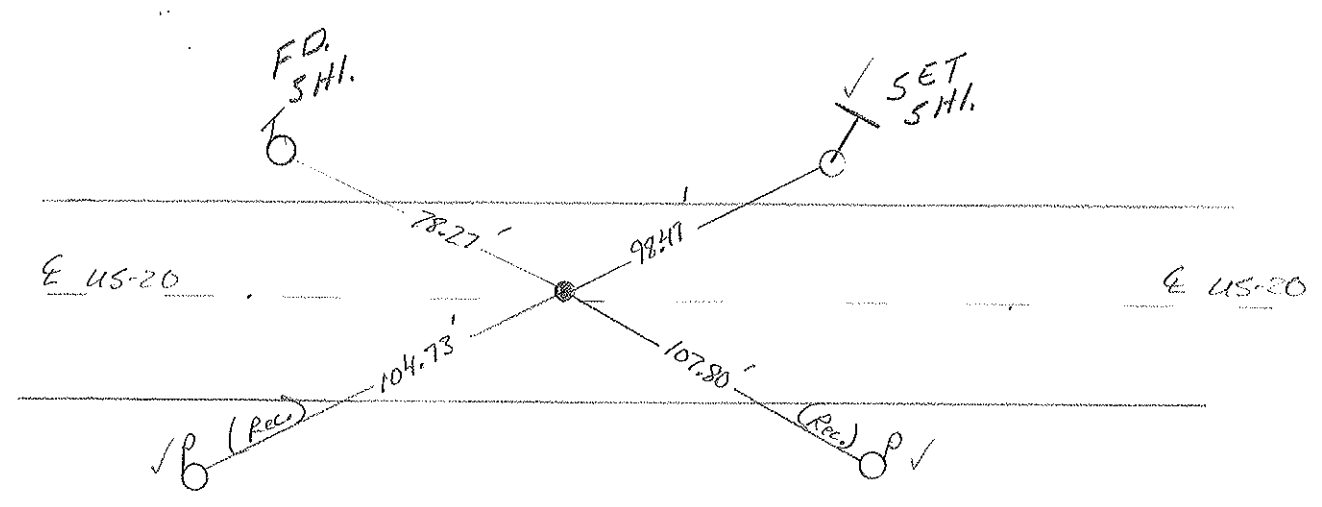
10.7 TO LT. EDGE PAVEMENT

S.L.M. 835+77 834+23



Set Small RR Spk.
8-31-88 IRS

Set RR/W
11-13-98 SMH



Preventive Maintenance
Smooth Seal 2005
Exist. Point Uncovered
Date 7/22/05 M.B.