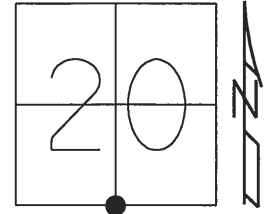


O.D.O.T. DISTRICT 2 SURVEY OFFICE (USE ONLY)

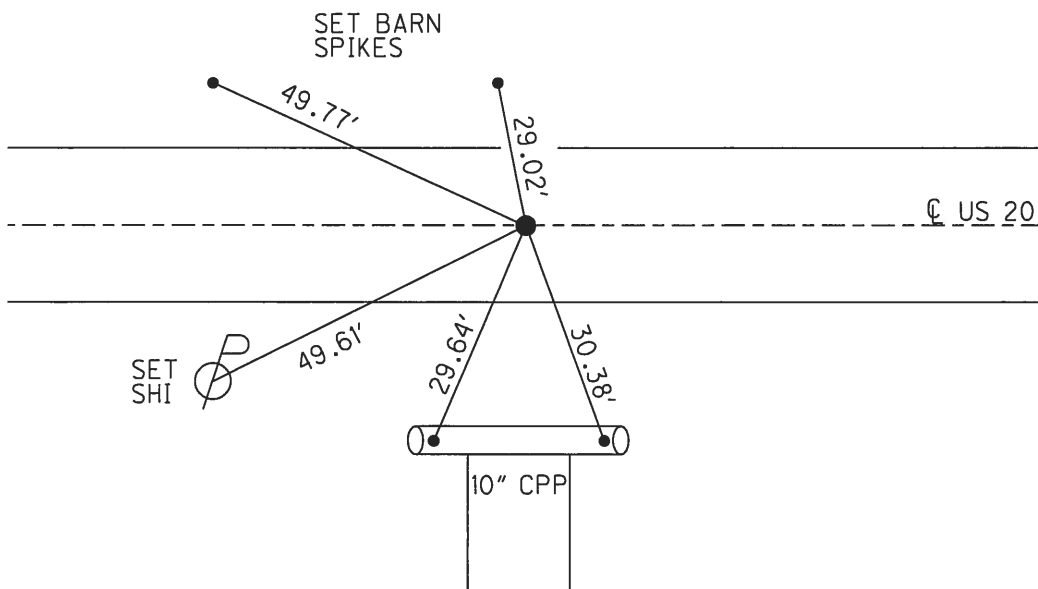
PERSONNEL \_\_\_\_\_ REFERENCE NO. 52 SHEET 24 OF 24  
 NOTES POORE DATE 8-3-17 ROUTE US 20  
 H.C. LEU WEATHER SUNNY COUNTY WILLIAMS  
 R.C. CARSON TEMP. 81° F TOWNSHIP MILLCREEK  
HOMAN SECTION 20  
 T 9 S R 1 W

TYPE MONUMENT P.K./WASHER  
~~ON SURFACE~~ - BELOW 1 1/2"  
~~LEFT~~ - CL PAV'T - RIGHT 0.6'  
12.3' TO RT EDGE PAVEMENT  
 S.L.M. 1047+06.61

Grid: Northing: 734315.892 Easting: 1436499.991



RECORD:  
 FD 1 1/2" IPIPE  
 3" DOWN  
 5/21/97, CL  
 SET P.K./WASHER  
 8-7-97, SAH  
 FD P.K./WASHER  
 7/28/05, MB  
 FD P.K./WASHER  
 1 1/2" DOWN  
 REF52  
 5/24/16, DCH  
 SET MAG/WASHER  
 NEWREF52  
 3-15-2018, JLL



# O.D.O.T. DISTRICT 2 SURVEY OFFICE

PERSONNEL

REFERENCE NO. 52

SHEET 7 OF 17

NOTES LOEHKE

H.C. CORDAS M

R.C. HUSS

A MOSEK

DATE 5-21-97

WEATHER CLOUDY

TEMP. +60°F

ROUTE U.S. # 20

COUNTY Williams

TOWNSHIP Millcreek

SECTION 20-29

T 9 S R 1 W

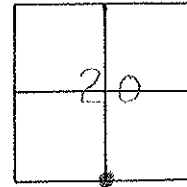
TYPE MONUMENT 1 1/2" I PIPE

~~ON SURFACE~~ - BELOW 3"

~~11.3 TO RT EDGE~~ - RIGHT 0.7 RT

11.3 TO RT EDGE PAVEMENT

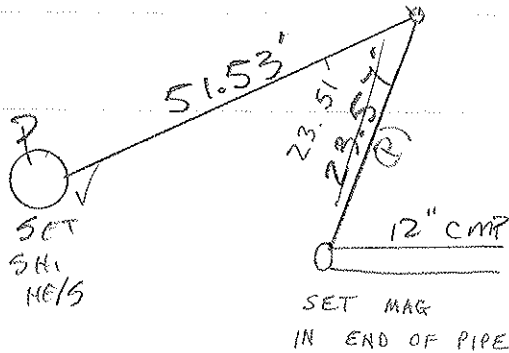
S.L.M. 1046+29      1045+36



*SET PK/WASHER  
8-7-97 SAH*

♀ Pavt.

U.S. # 20



Preventive Maintenance  
Smooth Seal 2005  
Exist. Point Uncovered  
Date 7/28/05 M.B.