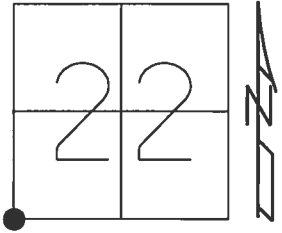


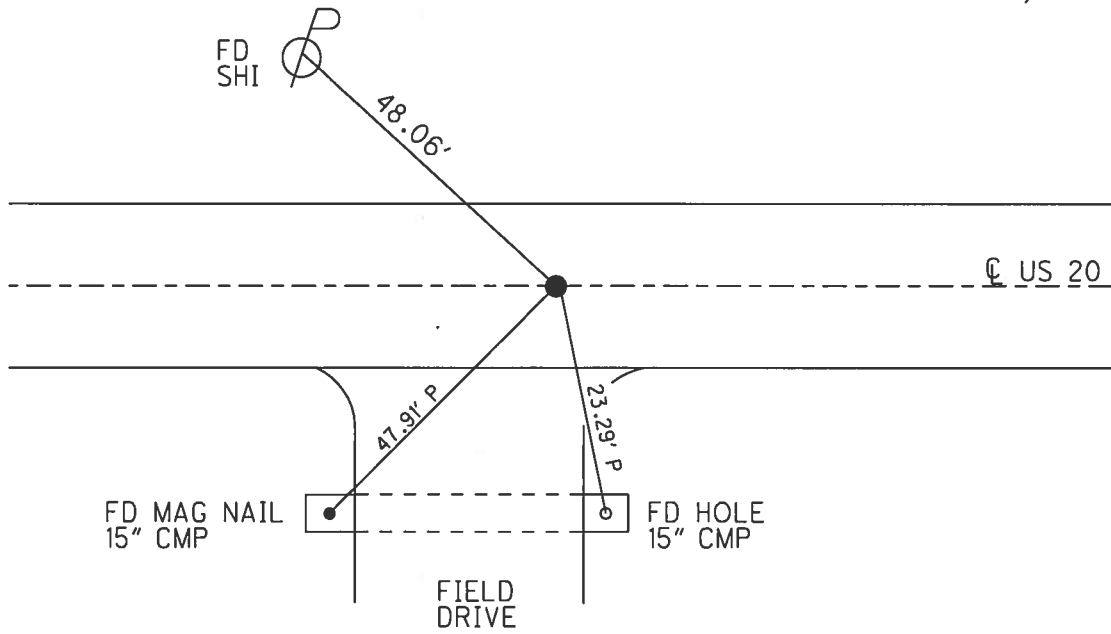
O.D.O.T. DISTRICT 2 SURVEY OFFICE (USE ONLY)

PERSONNEL _____ REFERENCE NO. 56 SHEET 7 OF 11
 NOTES LEU DATE 4/10/2017 ROUTE US 20
 H.C. HOMAN WEATHER PTLY CLOUDY COUNTY WILLIAMS
 R.C. LEU TEMP. 59° TOWNSHIP MILLCREEK
 SECTION 22
 T 9 S R 1 W

TYPE MONUMENT P.K.NAIL
 ON SURFACE - ~~BELOW~~ ON _____
 LEFT - ☉ PAV'T - RIGHT ON _____
11.8' TO RT EDGE PAVEMENT
 S.L.M. 1125+25
 Grid: Northing: 734175.148 Easting: 1444372.498



RECORD:
 FD P.K.NAIL
 5/21/97, CL
 SET P.K./WASHER
 8/12/97, CL
 FD P.K.NAIL
 REF56
 4/10/17, JLL
 SET MAG/WASHER
 8/11/17, DCH



O.D.O.T. DISTRICT 2 SURVEY OFFICE

PERSONNEL

REFERENCE NO. 56

SHEET 13 OF 17

NOTES Loehner

H.C. Cordes III

R.C. Moser

Huss P

DATE 5-21-97

WEATHER Sun

TEMP. 55°

ROUTE 20

COUNTY Williams

TOWNSHIP Millcrank

SECTION 22

T 9 S R 1 W

TYPE MONUMENT P.K.

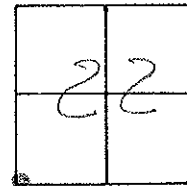
ON SURFACE - BELOW yes

LEFT - & PAV'T. - RIGHT 0.4

11.8 TO R-EDGE PAVEMENT

S.L.M. 1125 + 25

*Sat Pk washer
8-12-97*



*Sat skt
55/5*



48.08

Left Point

US 20

