

O.D.O.T. DISTRICT 2 SURVEY OFFICE (USE ONLY)

PERSONNEL

REFERENCE NO. 1 A

SHEET 2 OF 25

NOTES RHOADES
 H.C. AUBLE
 R.C. MAHLER

DATE 8/7/20
 WEATHER SUNNY
 TEMP. 65°

ROUTE SR 34
 COUNTY WILLIAMS
 TOWNSHIP FLORENCE
 SECTION 18
 T 7 N R 1 E

DWG BY NIESE PID PAVE TRAIN

TYPE MONUMENT MAG/WASHER

ON SURFACE - ~~BELOW~~ ON

OFFSET 1.3' LT : RT
8.2' TO RT EDGE PAVEMENT

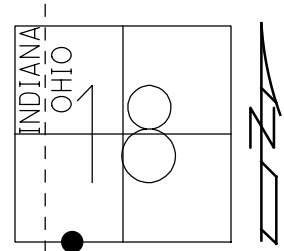
STATION: 6+44.95

HORZ. DATUM: NAD83 2011

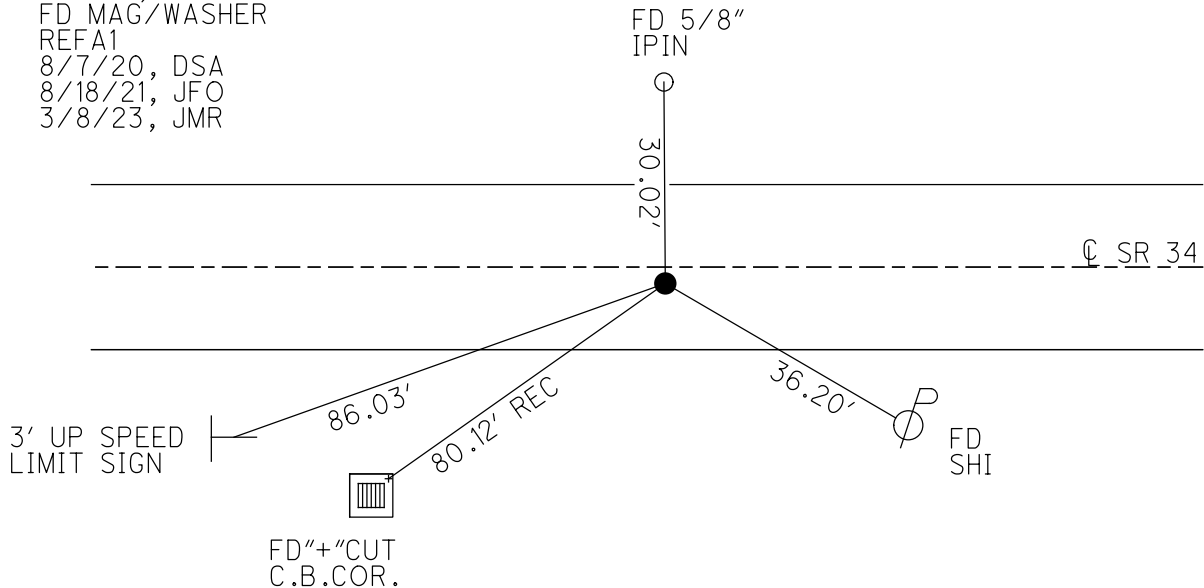
GEOID: NAVD88 2012A

GRID: NORTHING: 696801.912

EASTING: 1338363.990



RECORD:
 SET P.K.NAIL
 TO SURFACE
 6/18/96, SAH
 FD P.K./WASHER
 1/26/11, MC
 FD P.K./WASHER
 5/4/12, SAH
 SET MAG/WASHER
 8/2/12, SAH
 FD MAG/WASHER
 REFA1
 8/7/20, DSA
 8/18/21, JFO
 3/8/23, JMR



O.D.O.T. DISTRICT 2 SURVEY OFFICE (USE ONLY)

PERSONNEL _____ REFERENCE NO. 1 A SHEET 2 OF 25
 NOTES RHOADES DATE 8/7/20 ROUTE SR 34
 H.C. AUBLE WEATHER SUNNY COUNTY WILLIAMS
 R.C. MAHLER TEMP. 65° TOWNSHIP FLORENCE
 DWG BY NIESE PID PAVE TRAIN SECTION 18
 T 7 N R 1 E

TYPE MONUMENT MAG/WASHER

ON SURFACE - ~~BELOW~~ ON

OFFSET 1.3' LT : RT

8.2' TO RT EDGE PAVEMENT

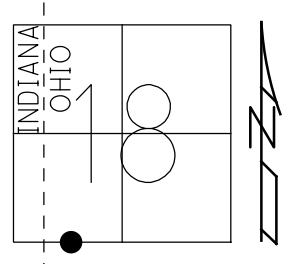
STATION: 6+44.95

HORIZ.DATUM: NAD83 2011

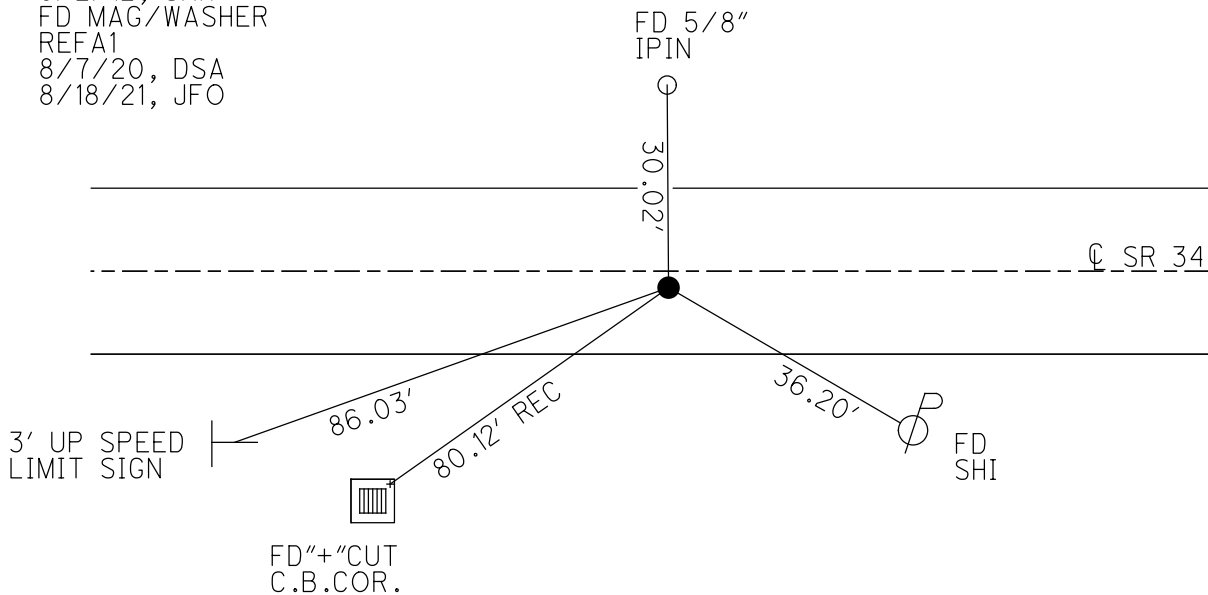
GEOID: NAVD88 2012A

GRID: NORTHING: 696801.912

EASTING: 1338363.990



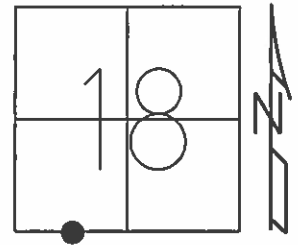
RECORD:
 SET P.K.NAIL
 TO SURFACE
 6/18/96, SAH
 FD P.K./WASHER
 1/26/11, MC
 FD P.K./WASHER
 5/4/12, SAH
 SET MAG/WASHER
 8/2/12, SAH
 FD MAG/WASHER
 REFA1
 8/7/20, DSA
 8/18/21, JFO



O.D.O.T. DISTRICT 2 SURVEY OFFICE (USE ONLY)

PERSONNEL _____ REFERENCE NO. 1 A SHEET 2 OF 25
 NOTES HUSS DATE 5/4/12 ROUTE SR 34
 H.C. CANTERBURY WEATHER FAIR COUNTY WILLIAMS
 R.C. HARBAUGH TEMP. 75° TOWNSHIP FLORENCE
 _____ SECTION 18
 _____ T 7 N R 1 E

TYPE MONUMENT P.K./WASHER
 ON SURFACE - ~~BELOW~~ ON
~~LEFT~~ - Q PAV'T - RIGHT 2'
8.2' TO RT EDGE PAVEMENT
 S.L.M. 12+89



Grid: Northing: 696801.878 Easting: 1338363.908

SET P.K.NAIL
 TO SURFACE
 6/18/96, SAH

FD P.K./WASHER
 1/26/11, MC
 GPS, REFA1
 1/27/11, MC

SET MAG/WASHER
 8/2/12, SAH

