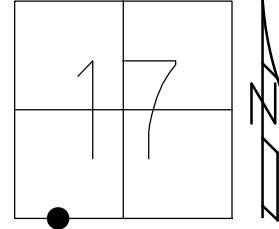


O.D.O.T. DISTRICT 2 SURVEY OFFICE (USE ONLY)

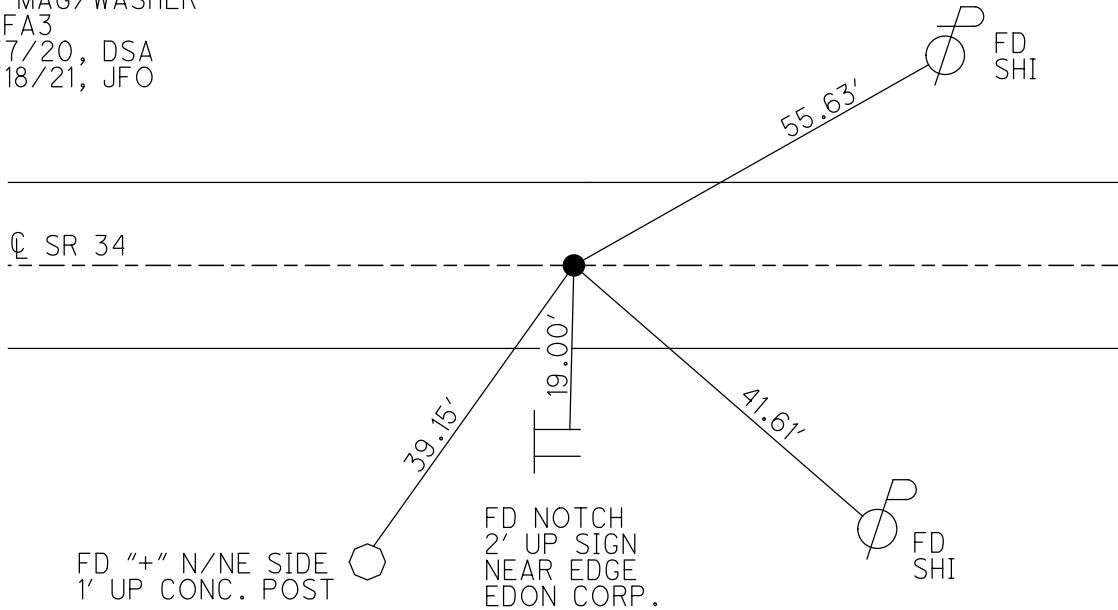
PERSONNEL \_\_\_\_\_ REFERENCE NO. 3 SHEET 5 OF 25  
 NOTES RHOADES DATE 8/7/20 ROUTE SR 34  
 H.C. AUBLE WEATHER SUNNY COUNTY WILLIAMS  
 R.C. MAHLER TEMP. 65° TOWNSHIP FLORENCE  
 DWG BY NIESE PID PAVE TRAIN SECTION 17  
 T 7 N R 1 E

TYPE MONUMENT MAG/WASHER  
 ON SURFACE - ~~BELOW~~ ON  
 OFFSET  $\varnothing$  PAVEMENT ON LT : RT  
103' TO LT EDGE PAVEMENT  
 STATION: 55+67.62



HORIZ.DATUM: NAD83 2011 GEOID: NAVD88 2012A  
 GRID: NORTHING: 696651.916 EASTING: 1343284.329

RECORD:  
 SET LG.R.R.SPIKE  
 9/15/93  
 FD LG.R.R.SPIKE  
 1/26/11, MC  
 FD LG.R.R.SPIKE  
 5/4/12, SAH  
 SET MAG/WASHER  
 8/24/12, SAH  
 FD MAG/WASHER  
 REFA3  
 8/7/20, DSA  
 8/18/21, JFO



O.D.O.T. DISTRICT 2 SURVEY OFFICE (USE ONLY)

PERSONNEL

REFERENCE NO. 3 A

SHEET 5 OF 25

NOTES HUSS

DATE 5/4/12

ROUTE SR 34

H.C. CANTERBURY

WEATHER FAIR

COUNTY WILLIAMS

R.C. HARBAUGH

TEMP. 75°

TOWNSHIP FLORENCE

SECTION 17

T 7 N R 1 E

TYPE MONUMENT LG.R.R.SPIKE

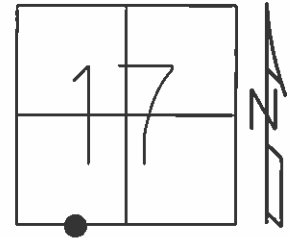
~~ON SURFACE~~ - BELOW 0.3'

LEFT - Q PAV'T - RIGHT ON

10.3' TO LT EDGE PAVEMENT

S.L.M. 56+49.6

Grid: Northing: 696651.939 Easting: 1343284.264



NOTE:  
WEST CORP. LINE OF EDON.  
9/15/93, SET LG.R.R.SPIKE  
FOR WEST CORP. LINE OF EDON.  
309'+/- WEST OF THE 1/16  
LINE OF SECTION 17.

FD LG.R.R.SPIKE  
1/26/11, MC  
GPS, REF3  
1/27/11, MC

SET MAG/WASHER  
8/24/12, SAH

