

O.D.O.T. DISTRICT 2 SURVEY OFFICE (USE ONLY)

PERSONNEL \_\_\_\_\_

REFERENCE NO. 10

SHEET 3 OF 55

NOTES RHOADES

DATE 8/17/20

ROUTE SR 34

H.C. AUBLE

WEATHER CLOUDY

COUNTY WILLIAMS

R.C. RHOADES

TEMP. 66°

TOWNSHIP FLORENCE

SECTION 15

DWG BY NIESE

PID PAVE TRAIN

T 7 N R 4 W

TYPE MONUMENT MAG/WASHER

ON SURFACE - ~~BELOW~~ ON

OFFSET  $\varnothing$  PAVEMENT ON LT : RT

10.1' TO LT EDGE PAVEMENT

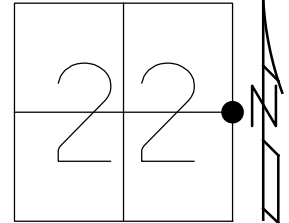
STATION: 230+67.02

HORZ.DATUM: NAD83 2011

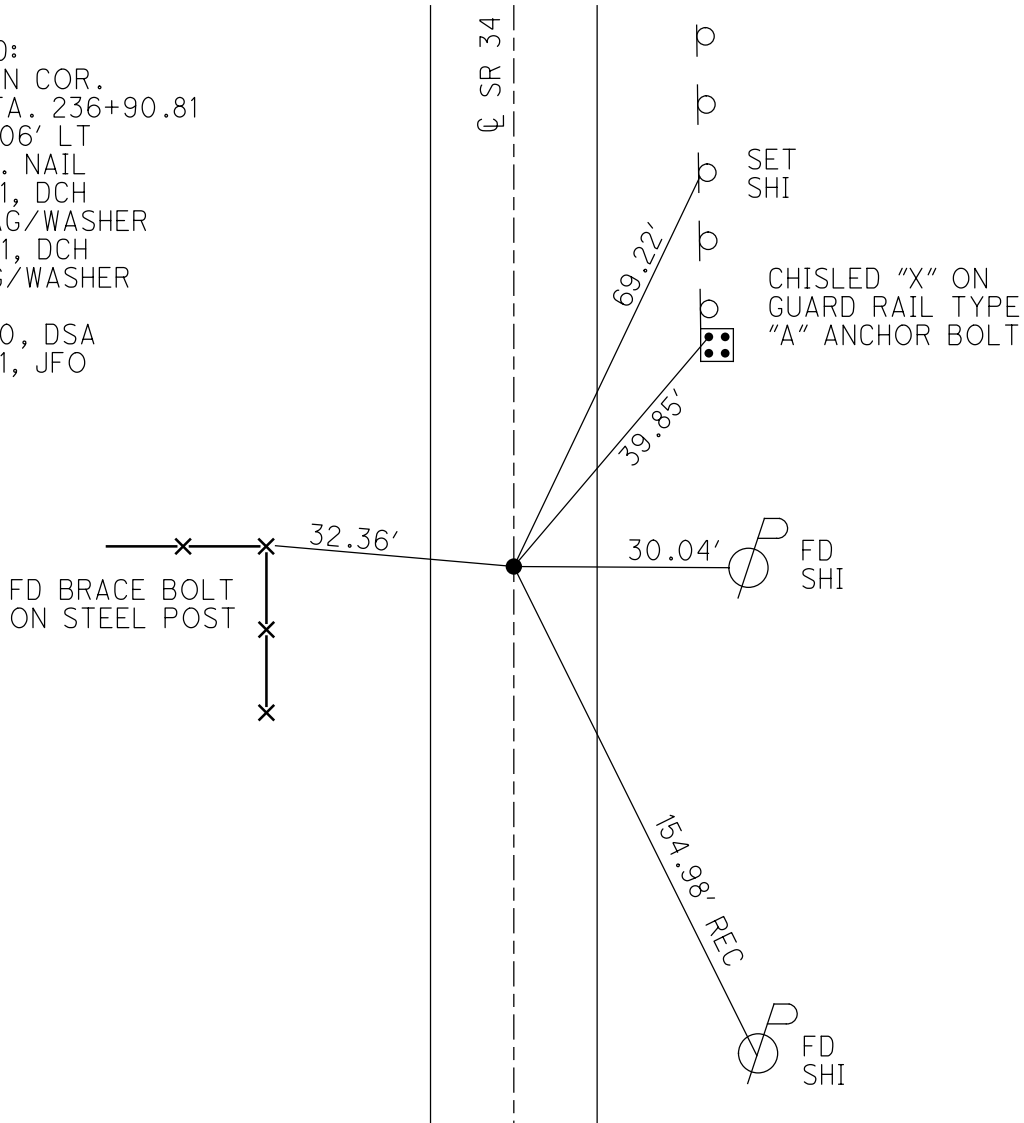
GEOID: NAVD88 2012A

GRID: NORTHING: 693739.909

EASTING: 1358081.092



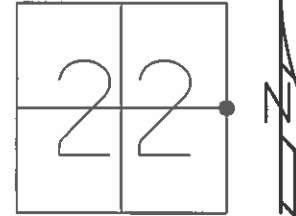
RECORD:  
SECTION COR.  
OLD STA. 236+90.81  
 $\Delta = 0^\circ 06' \text{ LT}$   
FD P.K. NAIL  
6/29/11, DCH  
SET MAG/WASHER  
9/20/11, DCH  
FD MAG/WASHER  
REF10  
8/17/20, DSA  
8/18/21, JFO



O.D.O.T. DISTRICT 2 SURVEY OFFICE (USE ONLY)

PERSONNEL \_\_\_\_\_ REFERENCE NO. 10 SHEET 3 OF 55  
 NOTES HOMAN DATE 06/29/11 ROUTE SR 34  
 H.C. HOMAN WEATHER SUNNY COUNTY WILLIAMS  
 R.C. ROUSOS TEMP. 65° TOWNSHIP FLORENCE  
 \_\_\_\_\_ SECTION 22  
 \_\_\_\_\_ T 7 N R 4 W

TYPE MONUMENT \_\_\_\_\_ PK NAIL  
 ON SURFACE - ~~BELOW~~ \_\_\_\_\_ ON  
~~LEFT~~ - Q PAV'T - ~~RIGHT~~ \_\_\_\_\_ ON  
10.1' TO LT EDGE PAVEMENT  
 S.L.M. 237+24



GRID: NORTHING: 693739.979 EASTING: 1358080.944

RECORD: SECTION COR.  
 OLD STA. 236+90.81  
 $\Delta = 0^\circ 06' \text{ LT}$   
 SET MAG/WASHER  
 09/20/11, DCH

