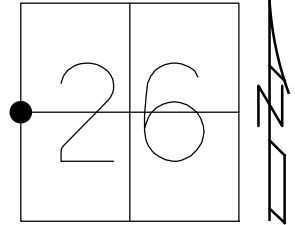


O.D.O.T. DISTRICT 2 SURVEY OFFICE (USE ONLY)

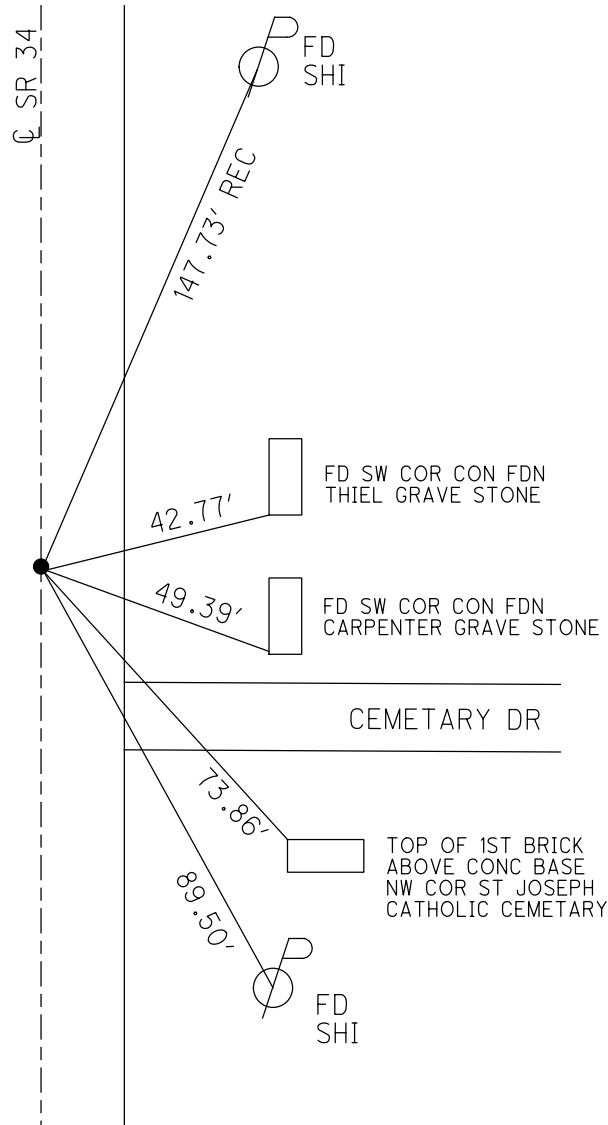
PERSONNEL _____ REFERENCE NO. 12 SHEET 5 OF 55
 NOTES RHOADES DATE 8/17/20 ROUTE SR 34
 H.C. AUBLE WEATHER CLOUDY COUNTY WILLIAMS
 R.C. RHOADES TEMP. 66° TOWNSHIP FLORENCE
 DWG BY NIESE PID PAVE TRAIN SECTION 26
 T 7 N R 4 W

TYPE MONUMENT MAG SHANK
 ON SURFACE - ~~BELOW~~ ON
 OFFSET Q PAVEMENT ON LT : RT
9.4' TO RT EDGE PAVEMENT
 STATION: 283+22.15



HORIZ.DATUM: NAD83 2011 GEOID: NAVD88 2012A
 GRID: NORTHING: 688484.822 EASTING: 1357946.076

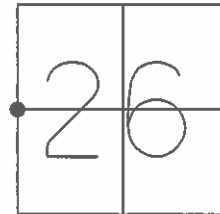
RECORD:
 STA.289+49.70
 $\Delta = 0^\circ 00' 00''$
 FD P.K.NAIL
 5/31/11, DCH
 SET MAG/WASHER
 9/20/11, DCH
 FD MAG SHANK
 REF12
 8/17/20, DSA
 8/18/21, JFO



O.D.O.T. DISTRICT 2 SURVEY OFFICE (USE ONLY)

PERSONNEL _____ REFERENCE NO. 12 SHEET 5 OF 55
 NOTES HOMAN DATE 05/31/11 ROUTE SR 34
 H.C. HOMAN WEATHER SUNNY COUNTY WILLIAMS
 R.C. ROUSOS TEMP. 85° TOWNSHIP FLORENCE
 _____ SECTION 26
 _____ T 7 N R 4 W

TYPE MONUMENT _____ PK NAIL _____
 ON SURFACE - ~~BELOW~~ _____ ON _____
~~LEFT~~ - Q PAV'T - ~~RIGHT~~ _____ ON _____
9.4' TO RT EDGE PAVEMENT
 S.L.M. 289+87



GRID: NORTHING: 688484.727 EASTING: 1357946.013

RECORD: SECTION COR.
 OLD STA. 289+49.70
 $\Delta = 0^\circ 00'$
 SET MAG/WASHER
 09/20/11, DCH

