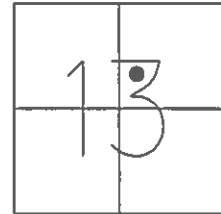


O.D.O.T. DISTRICT 2 SURVEY OFFICE (USE ONLY)

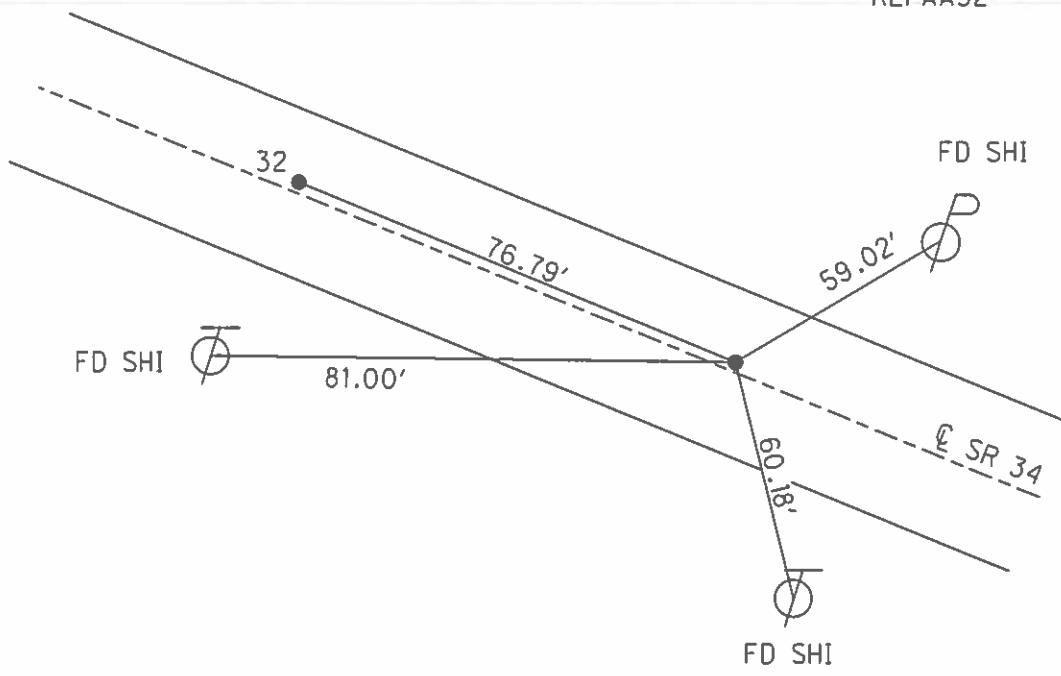
PERSONNEL _____ REFERENCE NO. 32 A SHEET 47 OF 55
 NOTES LEU DATE 04/08/16 ROUTE SR 34
 H.C. HOMAN WEATHER CLOUDY COUNTY WILLIAMS
 R.C. LEU TEMP. 34° TOWNSHIP CENTER
 SECTION 13
 T 6 N R 2 E

TYPE MONUMENT _____ PK NAIL _____
 ON SURFACE - ~~BELOW~~ _____ YES _____
 LEFT - ~~C~~ PAVT - ~~RIGHT~~ _____ 0.3 _____
10.2' TO LT EDGE PAVEMENT
 S.L.M. 795+51



GRID: NORTHING: 667578.337 EASTING: 1397623.098

RECORD: P.I.
 STA. 795+25±
 $\Delta=0^{\circ}-25'-09''$ RT
 1941 PLAN
 RESET PK/WASHER
 07/30/01
 UNCOVERED PK NAIL
 09/09/16, DCH
 FD PK W/WASHER
 REFAA32



PERSONNEL <i>Lauys</i>	TITLE	PERSONNEL	TITLE	COUNTY <i>Wi.</i>	DATE <i>9-24-69</i>
				S. R. <i>34</i>	WEATHER
				SEC. <i>1.3 Center Twp</i>	TEMP.

DESCRIPTION	LEFT	CENTER LINE	RIGHT	JOB NO.
-------------	------	-------------	-------	---------

