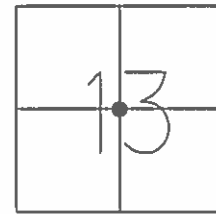


O.D.O.T. DISTRICT 2 SURVEY OFFICE (USE ONLY)

PERSONNEL \_\_\_\_\_ REFERENCE NO. 43 SHEET 10 OF 17  
 NOTES HOMAN DATE 2/6/2013 ROUTE SR 34  
 H.C. ROUSOS WEATHER SUNNY COUNTY WILLIAMS  
 R.C. HOMAN TEMP. 28° TOWNSHIP PULASKI  
 SECTION 13  
T 6 N R 3 E

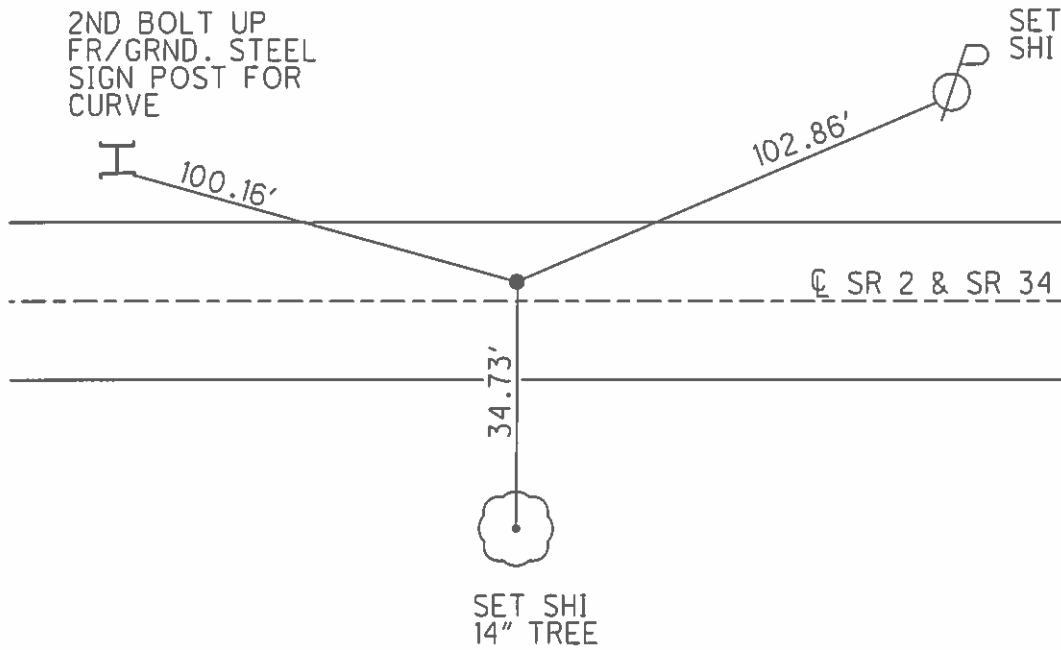
TYPE MONUMENT P.K.NAIL  
 ON SURFACE - ~~BELOW~~ ON \_\_\_\_\_  
 LEFT - ☉ PAV'T - ~~RIGHT~~ 1.2'  
12.3' TO RT EDGE PAVEMENT  
 S.L.M. 1132+19



GRID: NORTHING: 666031.672 EASTING: 1429141.518

RECORD:  
 SET MAG/WASHER  
 2/6/13, DCH

NOTE:  
 SR 2 REF46



PERSONNEL TITLE PERSONNEL TITLE

COUNTY Wil DATE \_\_\_\_\_

S. R. 34 E 2 WEATHER \_\_\_\_\_

SEC. 13 (Palaski Trup) TEMP. \_\_\_\_\_

DESCRIPTION LEFT CENTER LINE RIGHT JOB NO. \_\_\_\_\_

