

O.D.O.T. DISTRICT 2 SURVEY OFFICE (USE ONLY)

PERSONNEL

REFERENCE NO. 27

SHEET 7 OF 18

NOTES RHOADES DATE 7/5/23
 H.C. AUBLE WEATHER SUNNY
 R.C. ASTON TEMP. 82°

ROUTE SR 49
 COUNTY WILLIAMS
 TOWNSHIP FLORENCE
 SECTION 8
 T 7 N R 1 E

DWG BY RHOADES PID PAVETRAIN

TYPE MONUMENT MAG SHANK

ON SURFACE - ~~BELOW~~ ON

OFFSET 0.6' Q PAVEMENT LT : RT

10.2' TO LT EDGE PAVEMENT

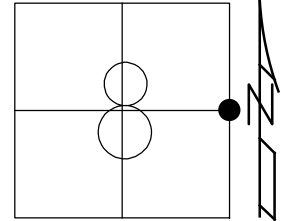
STATION: 595+19.68

HORZ.DATUM: NAD83 2011

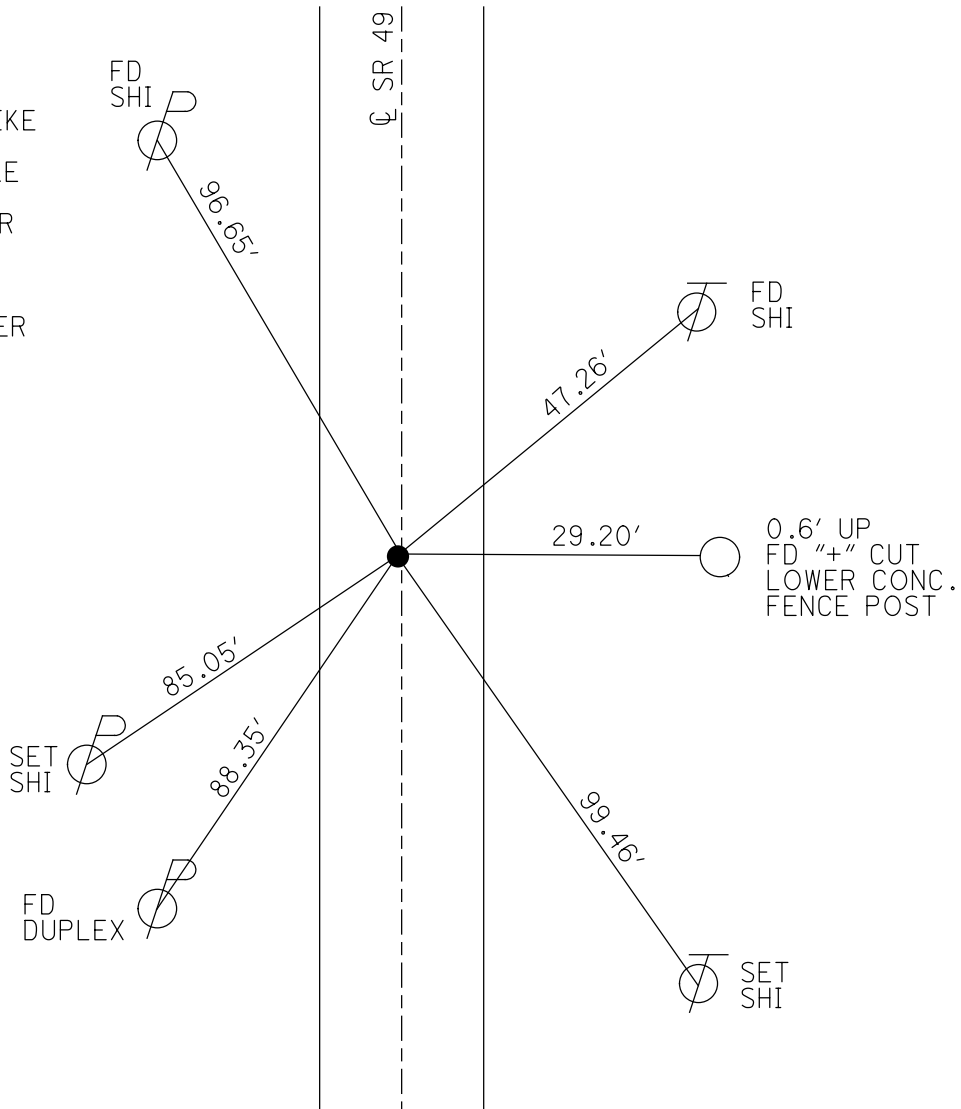
GEOID: NAVD88 2018

GRID: NORTHING: 704481.474

EASTING: 1347727.610



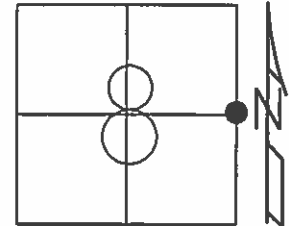
RECORD:
 SM.R.R.SPIKE
 5/23/85
 SET SM.R.R.SPIKE
 5/23/88
 FD SM.R.R.SPIKE
 5/20/97, MB
 FD P.K./WASHER
 REF27
 2/7/11,
 5/9/12, MC
 SET MAG/WASHER
 9/11/12, SAH
 FD MAG SHANK
 REF27
 7/5/23, DSA
 11/27/23, TDN



O.D.O.T. DISTRICT 2 SURVEY OFFICE (USE ONLY)

PERSONNEL _____ REFERENCE NO. 27 SHEET 7 OF 18
 NOTES HUSS DATE 5/9/12 ROUTE SR 49
 H.C. CANTERBURY WEATHER CLEAR/WINDY COUNTY WILLIAMS
 R.C. HARBAUGH TEMP. 60° TOWNSHIP FLORENCE
 _____ SECTION 8
 _____ T 7 N R 1 E

TYPE MONUMENT P.K./WASHER
 ON SURFACE - ~~BELOW~~ ON _____
 LEFT - ☉ PAV'T - ~~RIGHT~~ 0.6'
10.2' TO LT EDGE PAVEMENT
 S.L.M. 595+19.68



Grid: Northing: 704481.426 Easting: 1347727.575

- SM.R.R.SPIKE
5/23/85
- SET SM.R.R.SPIKE
5/23/88
- FD SM.R.R.SPIKE
5/20/97, MB
- FD P.K./WASHER
1/25/11, MC
GPS, REF27
2/7/11
- SET MAG/WASHER
9/11/12, SAH

