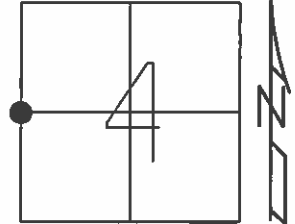


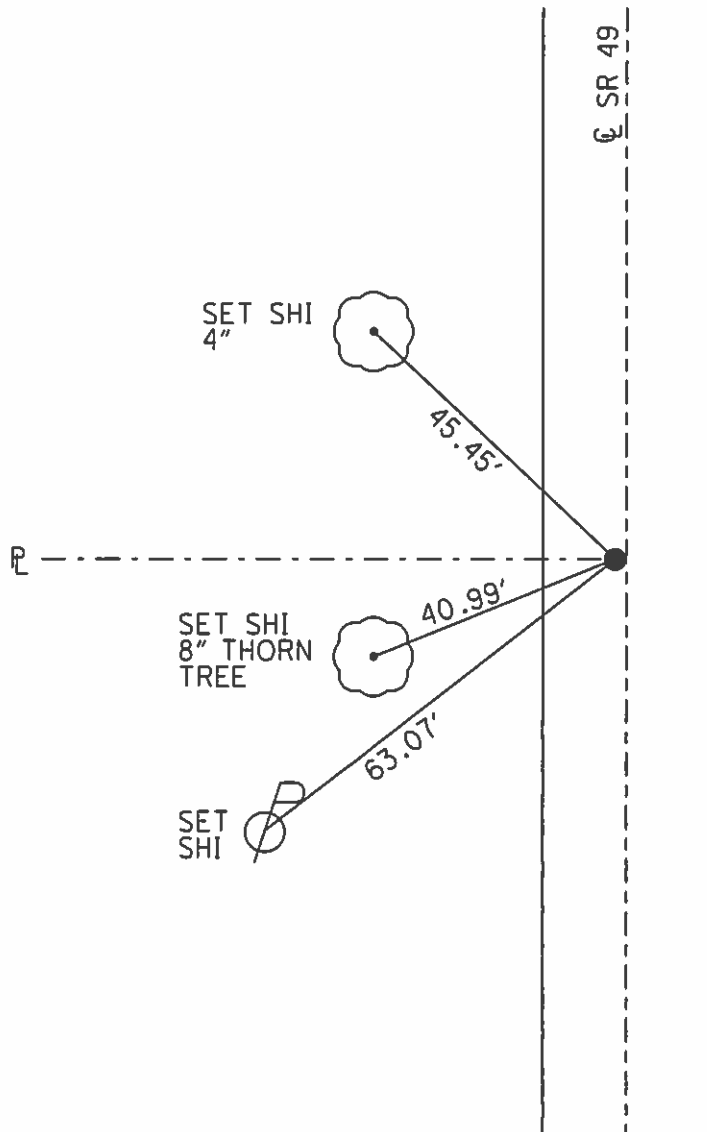
O.D.O.T. DISTRICT 2 SURVEY OFFICE (USE ONLY)

PERSONNEL _____ REFERENCE NO. 29 SHEET 10 OF 18
 NOTES HUSS DATE 5/10/12 ROUTE SR 49
 H.C. CANTERBURY WEATHER CLEAR COUNTY WILLIAMS
 R.C. HUSS TEMP. 58° TOWNSHIP FLORENCE
 _____ SECTION 4
 _____ T 7 N R 1 E

TYPE MONUMENT PK./WASHER
 ON SURFACE - ~~BELOW~~ ON _____
 LEFT - ☉ PAV'T - ~~RIGHT~~ 0.7'
9.5' TO LT. EDGE PAVEMENT
 S.L.M. 647+86.89



Grid: Northing: 709747.155 Easting: 1347852.138



- SET SM.R.R.SPIKE
7/6/88, IRS
- FD 1" IPIPE
6/3/97, MB
- RESET P.K./WASHER
10/2/97, MB
- FD P.K./WASHER
1/25/11, MC
GPS, REF29
2/7/11
- SET MAG/WASHER
9/11/12, SAH