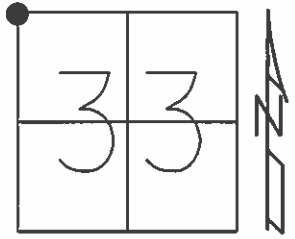


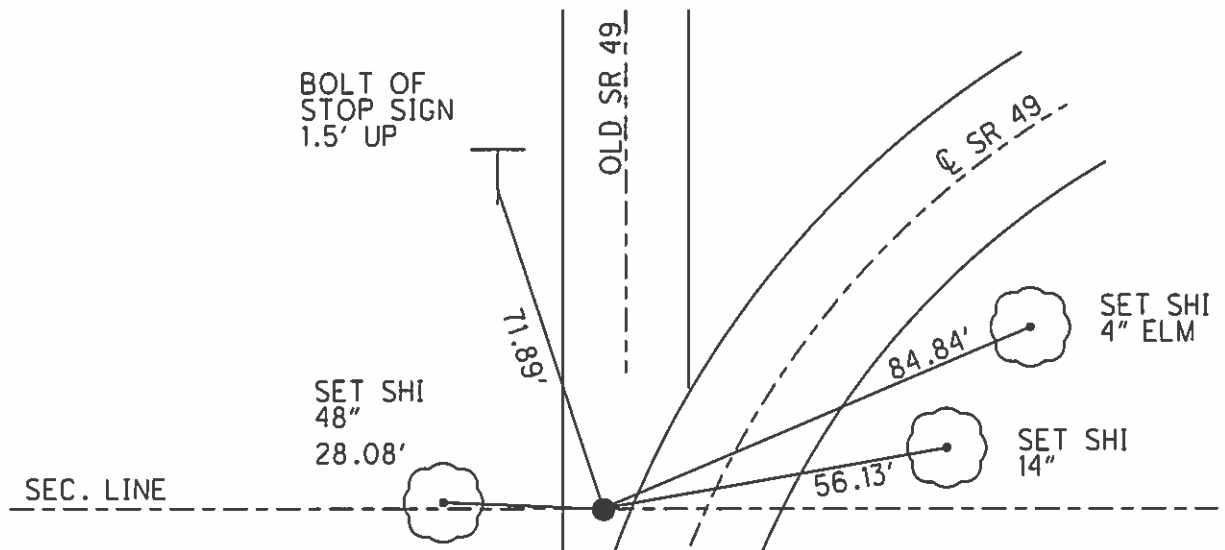
O.D.O.T. DISTRICT 2 SURVEY OFFICE (USE ONLY)

PERSONNEL \_\_\_\_\_ REFERENCE NO. 32 SHEET 14 OF 18  
 NOTES HUSS DATE 5/10/12 ROUTE SR 49  
 H.C. HUSS WEATHER CLEAR/BREEZY COUNTY WILLIAMS  
 R.C. CANTERBURY TEMP. 58° TOWNSHIP FLORENCE  
 \_\_\_\_\_ SECTION 33  
 \_\_\_\_\_ T 8 N R 1 E

TYPE MONUMENT MAG NAIL, IN AIR TARGET  
 ON SURFACE - ~~BELOW~~ ON \_\_\_\_\_  
 LEFT - ☉ PAV'T - ~~RIGHT~~ 14.2'  
3.5' LT TO LT EDGE PAVEMENT  
 S.L.M. 736+24.33



Grid: Northing: 718581.961 Easting: 1348067.440



- SET SM.R.R.SPIKE  
7/6/88, IRS
- FD SM.R.R.SPIKE  
5/20/97, MB
- RESET P.K./WASHER  
10/3/97, MB
- FD P.K.SHANK  
1/25/11  
GPS, REF32  
2/8/11, MC
- SET MAG/WASHER  
9/12/12, SAH