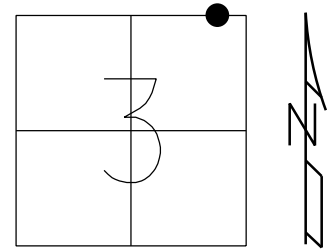


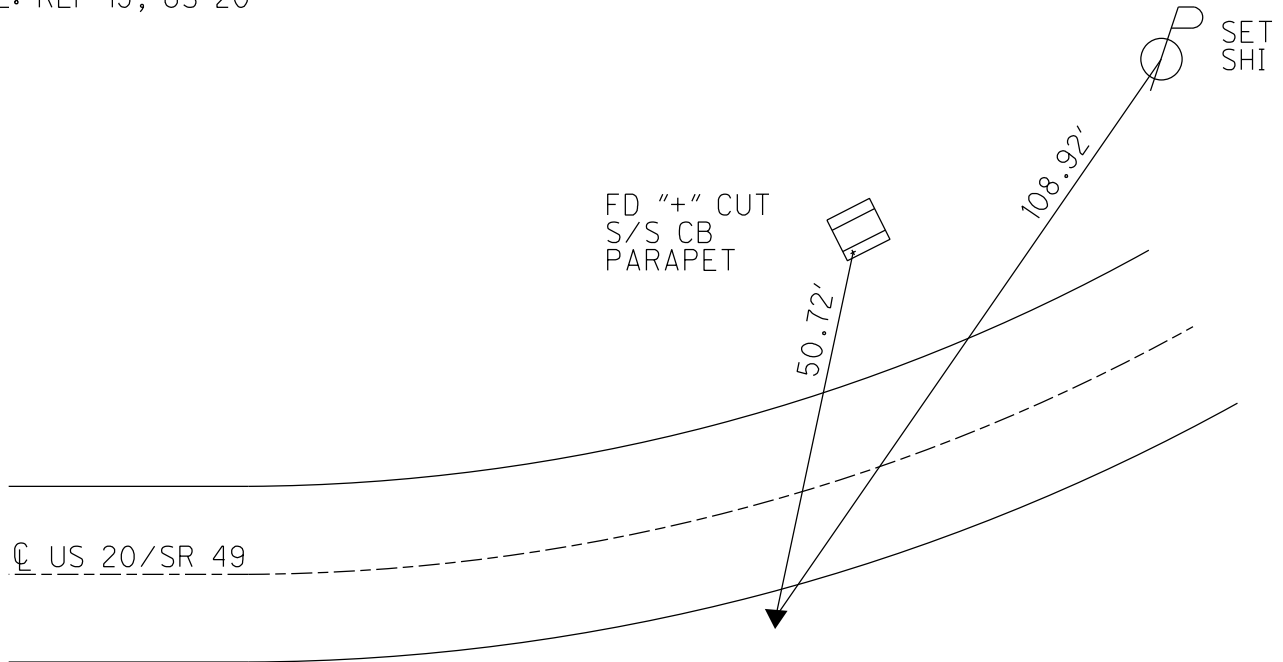
O.D.O.T. DISTRICT 2 SURVEY OFFICE (USE ONLY)

PERSONNEL	REFERENCE NO.	<u>36</u>	SHEET	<u>15</u>	OF	<u>38</u>
NOTES	HUSS	DATE	<u>4/16/12</u>	ROUTE	<u>US 20</u>	
H.C.	<u>CANTERBURY</u>	WEATHER	<u>FAIR</u>	COUNTY	<u>WILLIAMS</u>	
R.C.	<u>HARBAUGH</u>	TEMP.	<u>48°</u>	TOWNSHIP	<u>NORTHWEST</u>	
				SECTION	<u>3</u>	
				T	<u>9</u>	S
				R	<u>4</u>	W

TYPE MONUMENT 3/4" IPIPE
~~ON SURFACE~~ - BELOW 10"
~~LEFT~~ - CL PAV'T - RIGHT 1' RT.RT.EB
3.6' RT TO RT EDGE PAVEMENT
 S.L.M. 150+14.16
 GRID: NORTHING: 725460.532 EASTING: 1354333.282



NOTE: REF 15, US 20



RECORD:
 3/4" IPIPE
 6" DEEP
 7/10/90, I.S.
 8/24/90, DJC
 10" DEEP
 4/6/12, SAH
 10" DEEP
 GPS, REF 15