

O.D.O.T. DISTRICT 2 SURVEY OFFICE (USE ONLY)

PERSONNEL

REFERENCE NO. 39

SHEET 2 OF 11

NOTES RHOADES

DATE 7/28/22

ROUTE SR 49

H.C. RHOADES

WEATHER CLOUDY

COUNTY WILLIAMS

R.C. WHITAKER

TEMP. 76°

TOWNSHIP NORTHWEST

DWG BY RHOADES

PID PAVETRAIN

SECTION 34

T 9 N R 4 W

TYPE MONUMENT P.K./WASHER

ON SURFACE - ~~BELOW~~ ON

OFFSET Q PAVEMENT 0.8' LT : ~~RT~~

10.8' TO RT EDGE PAVEMENT

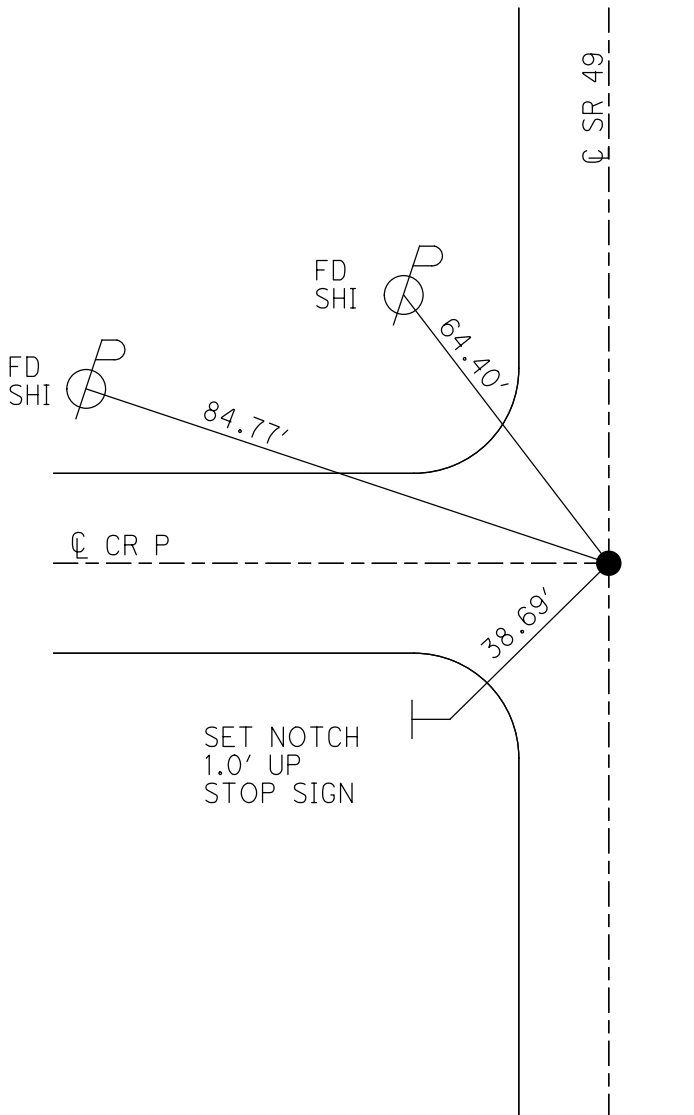
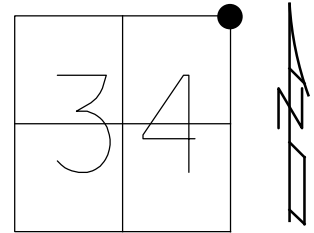
STATION: 908+72

HORZ. DATUM: NAD83 2011

GEOID: NAVD88 2018

GRID: NORTHING: 730463.099

EASTING: 1354385.099

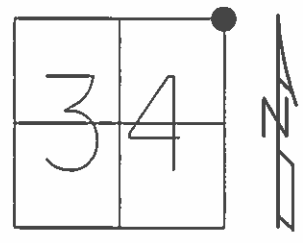


RECORD:
 SET P.K./WASHER
 8/24/00, MDB
 FD P.K./WASHER
 5/17/10, MC
 CHIPPED OUT POINT
 12/15/10, MC
 FD P.K./WASHER
 REF39
 4/11/16, JFO
 FD P.K./WASHER
 NEWREF39
 7/28/22,
 3/8/23, JMR

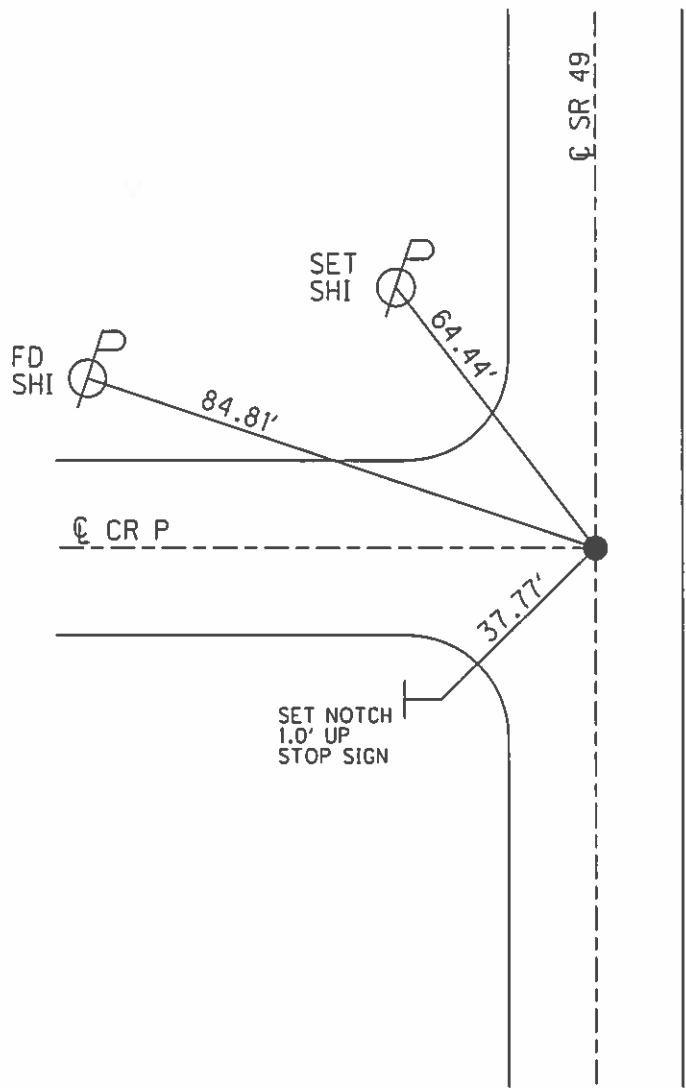
O.D.O.T. DISTRICT 2 SURVEY OFFICE (USE ONLY)

PERSONNEL _____ REFERENCE NO. 39 SHEET 2 OF 11
 NOTES O'DONNELL DATE 4/11/16 ROUTE SR 49
 H.C. HOMAN WEATHER CLOUDY COUNTY WILLIAMS
 R.C. O'DONNELL TEMP. 51° TOWNSHIP NORTHWEST
 _____ SECTION 34
 _____ T 9 S R 4 W

TYPE MONUMENT P.K./WASHER
 ON SURFACE - ~~BELOW~~ ON _____
 LEFT - ☉ PAV'T - ~~RIGHT~~ ON _____
10.8' TO RT EDGE PAVEMENT
 S.L.M. 908+72



GRID: NORTHING: 730463.090 EASTING: 1354385.106



RECORD:
 SET P.K./WASHER
 8/24/00, MDB
 FD P.K./WASHER
 GPS 5/17/10, MC
 CHIPPED OUT POINT
 12/15/10, MC
 FD P.K./WASHER
 REF39
 4/11/16, JFO