

O.D.O.T. DISTRICT 2 SURVEY OFFICE (USE ONLY)

PERSONNEL

REFERENCE NO. 7

SHEET 7 OF 16

NOTES RHOADES DATE 6/20/14  
 H.C. WESTFALL WEATHER CLOUDY  
 R.C. MEYER TEMP. 68°

ROUTE SR 107  
 COUNTY WILLIAMS  
 TOWNSHIP FLORENCE  
 SECTION 2

DWG BY NIESE PID 105474

T 7 N R 1 E

TYPE MONUMENT MONBOX W/ 1" IPIN

ON SURFACE - ~~BELOW~~ ON

OFFSET  $\varnothing$  PAVEMENT 1.0' ~~LT~~ : RT

- TO - EDGE PAVEMENT

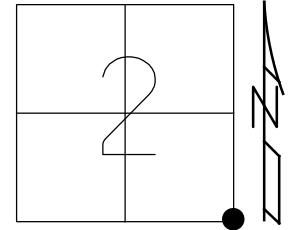
STATION: 153+80

HORZ.DATUM: NAD83(2011)

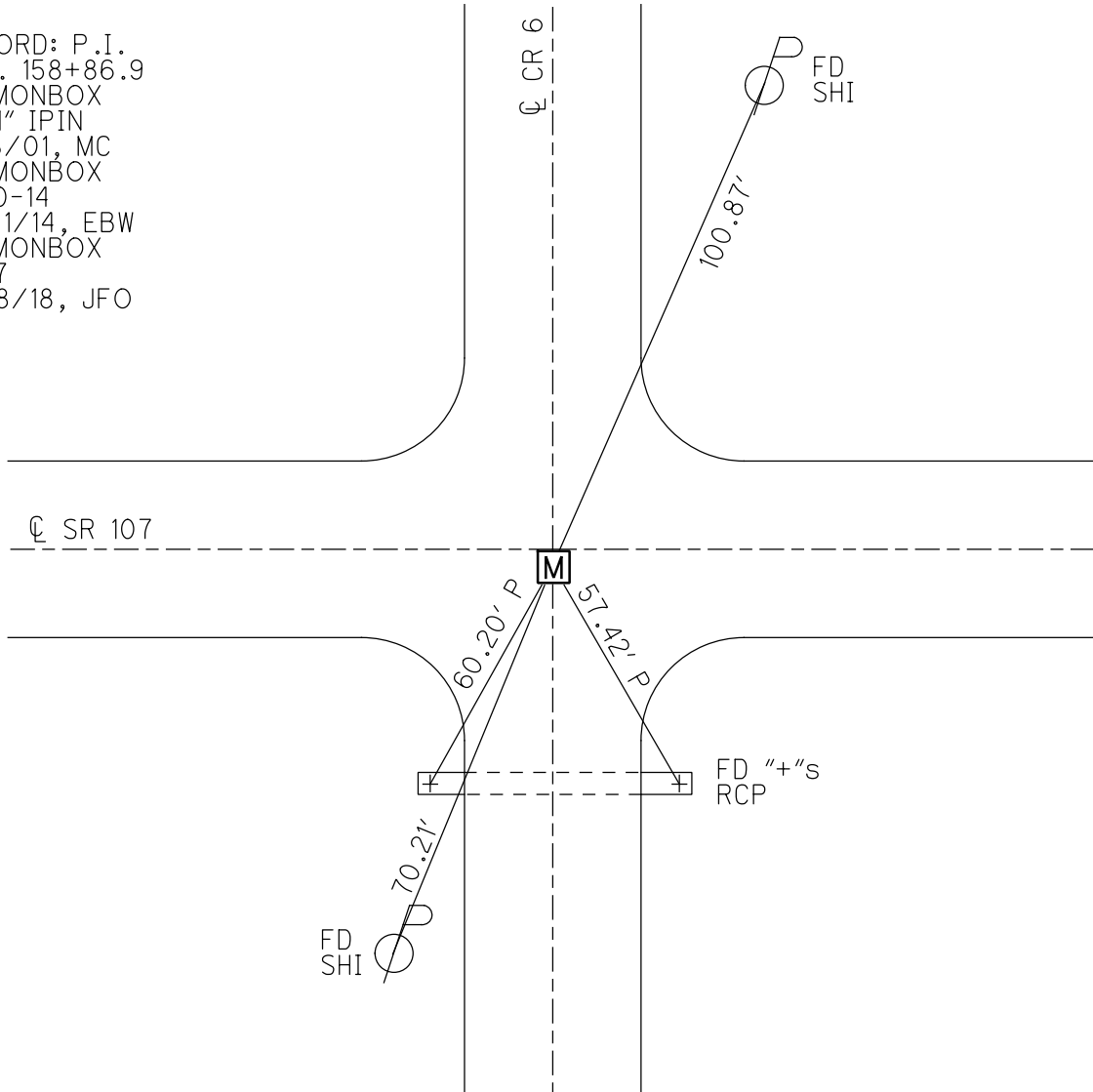
GEOID: 2012A

GRID: NORTHING: 706805.002

EASTING: 1363675.023



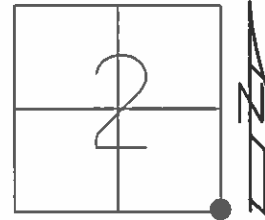
RECORD: P.I.  
 STA. 158+86.9  
 FD MONBOX  
 W/ 1" IPIN  
 6/18/01, MC  
 FD MONBOX  
 6-20-14  
 12/31/14, EBW  
 FD MONBOX  
 REF7  
 9/28/18, JFO



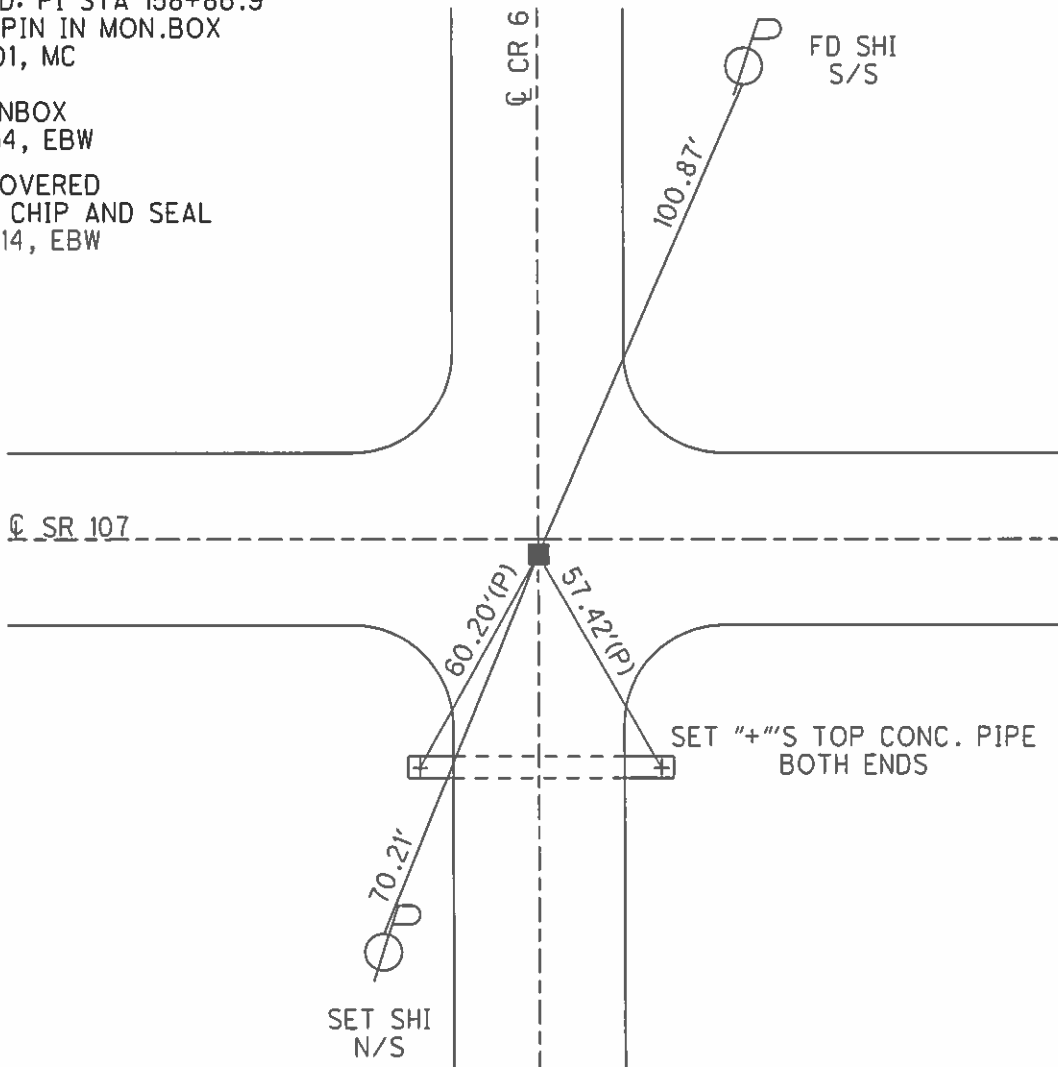
O.D.O.T. DISTRICT 2 SURVEY OFFICE (USE ONLY)

PERSONNEL \_\_\_\_\_ REFERENCE NO. 7 SHEET 7 OF 18  
 NOTES RHOADES DATE 6-20-14 ROUTE SR 107  
 H.C. WESTFALL WEATHER CLOUDY COUNTY WILLIAMS  
 R.C. MEYER TEMP. 68° TOWNSHIP FLORENCE  
 \_\_\_\_\_ SECTION 2  
 \_\_\_\_\_ T 7 N R 1 E

TYPE MONUMENT 1" I-ROD IN MON BOX  
 ON SURFACE - ~~BELOW~~ ON  
~~LEFT~~ - ☉ PAV'T - RIGHT 1.0'  
\_\_\_\_\_ TO \_\_\_\_\_ EDGE PAVEMENT  
 S.L.M. 156+80  
 Grid: Northing: 706805.046 Easting: 1363675.017



RECORD: PI STA 158+86.9  
 FD 1" IPIN IN MON.BOX  
 6/18/01, MC  
 FD MONBOX  
 6-20-14, EBW  
 NOT COVERED  
 AFTER CHIP AND SEAL  
 12/31/14, EBW



# O.D.O.T. DISTRICT 2 SURVEY OFFICE

PERSONNEL

REFERENCE NO. 7

SHEET 6 OF 16

NOTES BARNHISEL

H.C. MOSER

DATE 6-18-01

ROUTE S.R. #107

R.C. CANTERBURY

WEATHER CLOUDY

COUNTY WILLIAMS

TEMP. +70°

TOWNSHIP FLORENCE

SECTION 2

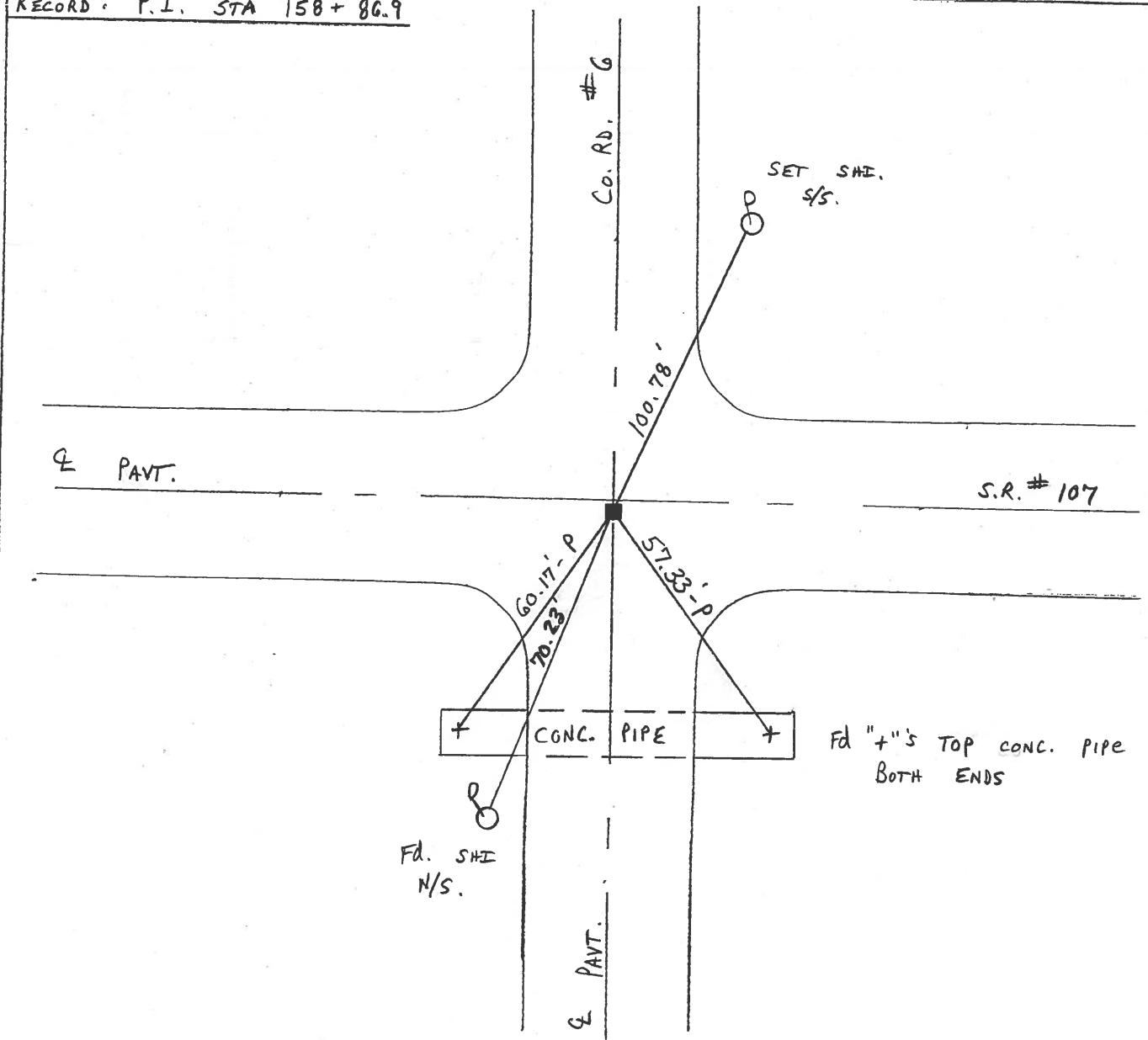
T 7 N R 1 E

TYPE MONUMENT 1" I-Rod IN MON BOX  
 ON SURFACE - ~~BELOW~~ SURFACE  
~~DEPT - & PAV'T. - RIGHT~~ 1.0' RT &  
TO EDGE PAVEMENT ON & SOUTH  
 S.L.M. 156+80

2	1
11	12



RECORD: P.I. STA 158+86.9



# O.D.O.T. DISTRICT 2 SURVEY OFFICE

PERSONNEL

REFERENCE NO. 7

SHEET 6 OF 18

NOTES LOEHRKE

H.C. CURTIS

DATE 5-20-92

ROUTE S.R. 107

R.C. ROMETO

WEATHER CLEAR

COUNTY Williams

TEMP. +75

TOWNSHIP FLORENCE

SECTION 2

8/11/92 AC  
MON. BOX LOCATED & UNCOVERED T. 7 N. R. 1 E

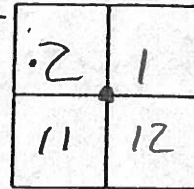
TYPE MONUMENT Mon. Box - set 1962

ON SURFACE - ~~BELOW~~ Yes

~~LEFT~~ - ~~E~~ PAV'T. - RIGHT 1.0

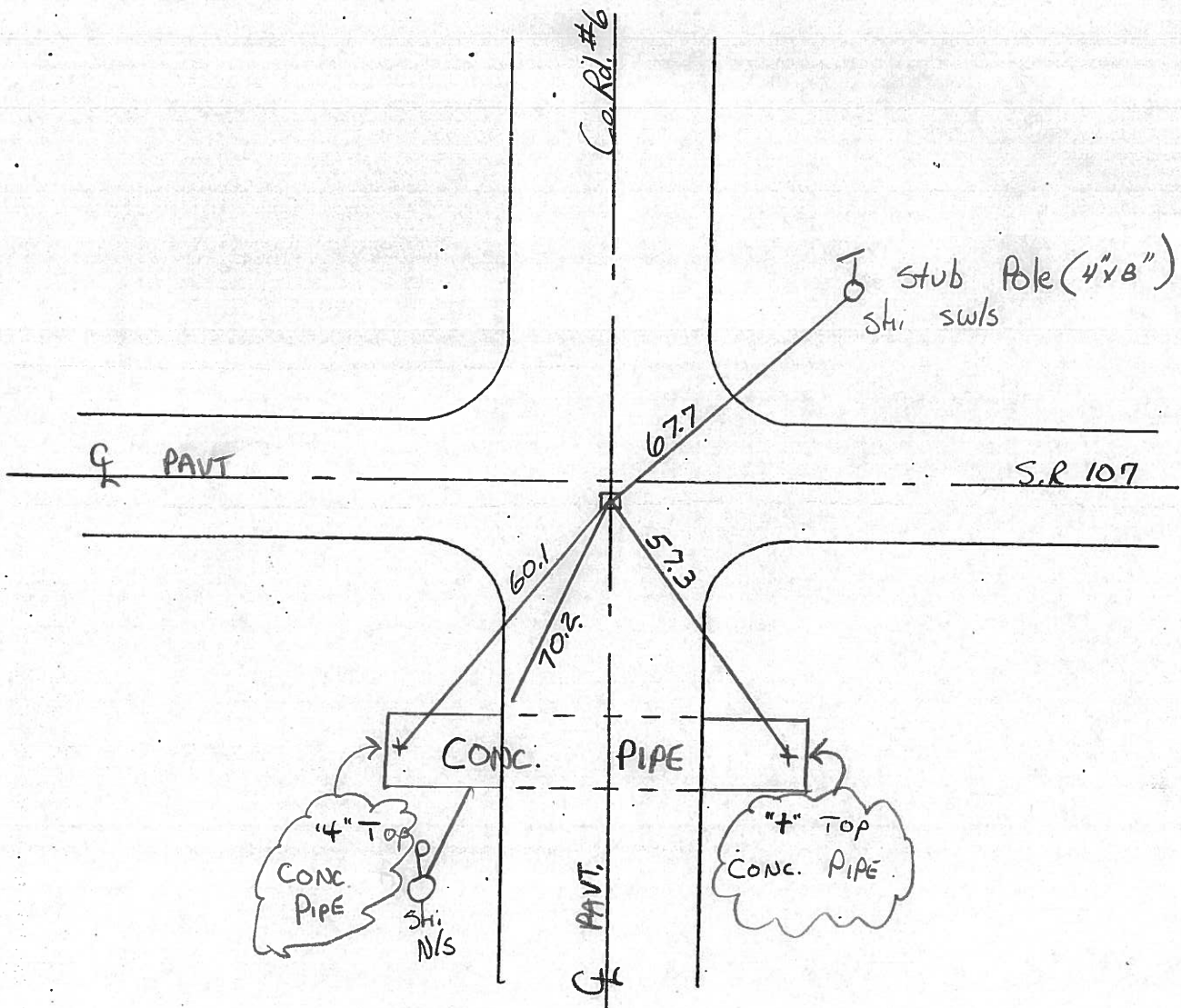
TO EDGE PAVEMENT

S.L.M. 158+91



RECORD P.I.

Sta 158+86.9



# O.D.O.T. DISTRICT 2 SURVEY OFFICE

PERSONNEL

REFERENCE NO. 7

SHEET 7 OF       

NOTES LOEHARKE

H.C. BARNHISEL

R.C. Hoffman

DATE 3-29-85

WEATHER PT CLOUDY

TEMP. +55

ROUTE SR 107

COUNTY WILLIAMS

TOWNSHIP FLORENCE

SECTION 1

T 7 N R 1 E

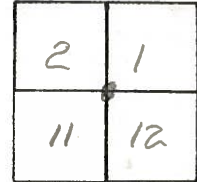
TYPE MONUMENT MON Box (1962)

~~ON SURFACE~~ - BELOW 2" Below

~~LEFT - & PAV'T. - RIGHT~~ 1' RT & SR 107

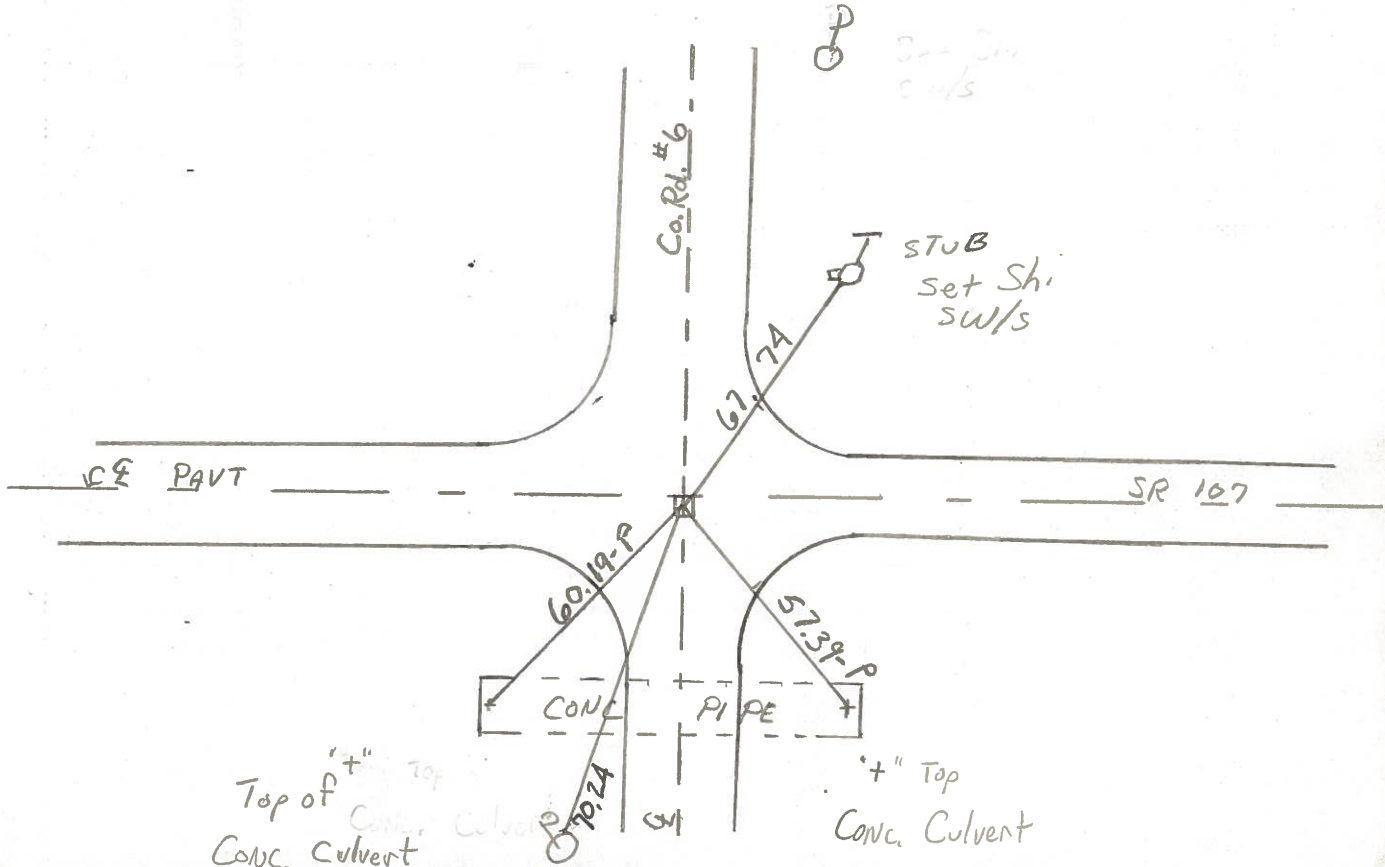
TO EDGE PAVEMENT ON & C.R. #6

S.L.M. 158+91



PI Sta 158+86.9

RAISED AS OF  
5-22-85 C.L.



Top of "4" Top  
Conc. Culvert

"4" Top  
Conc. Culvert

Set Sh.  
N/S

PERSONNEL TITLE PERSONNEL TITLE

Red Beach  
W. Knape

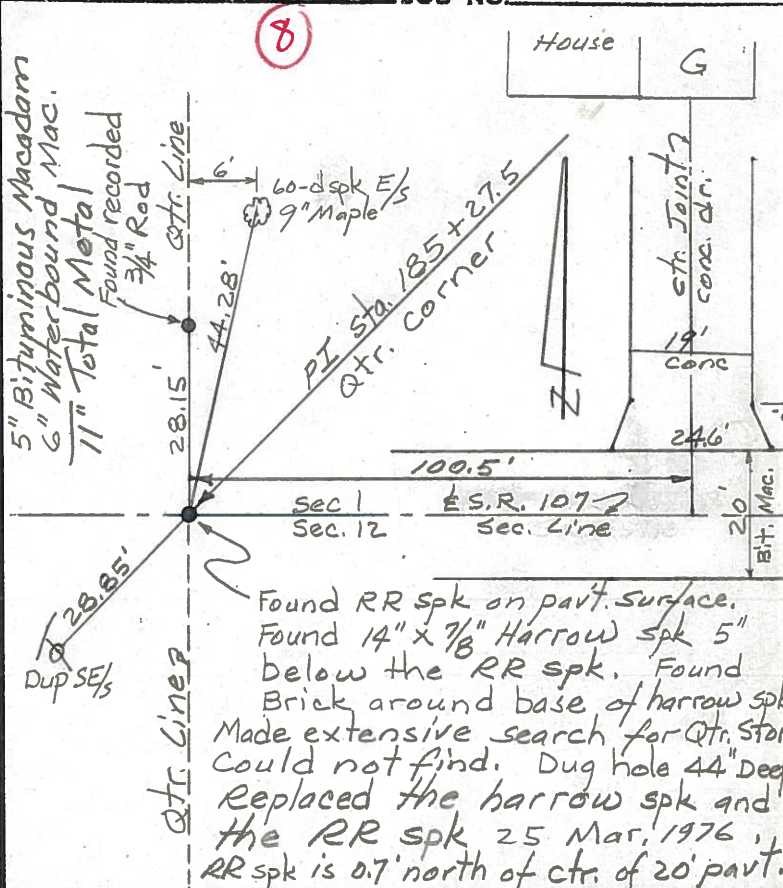
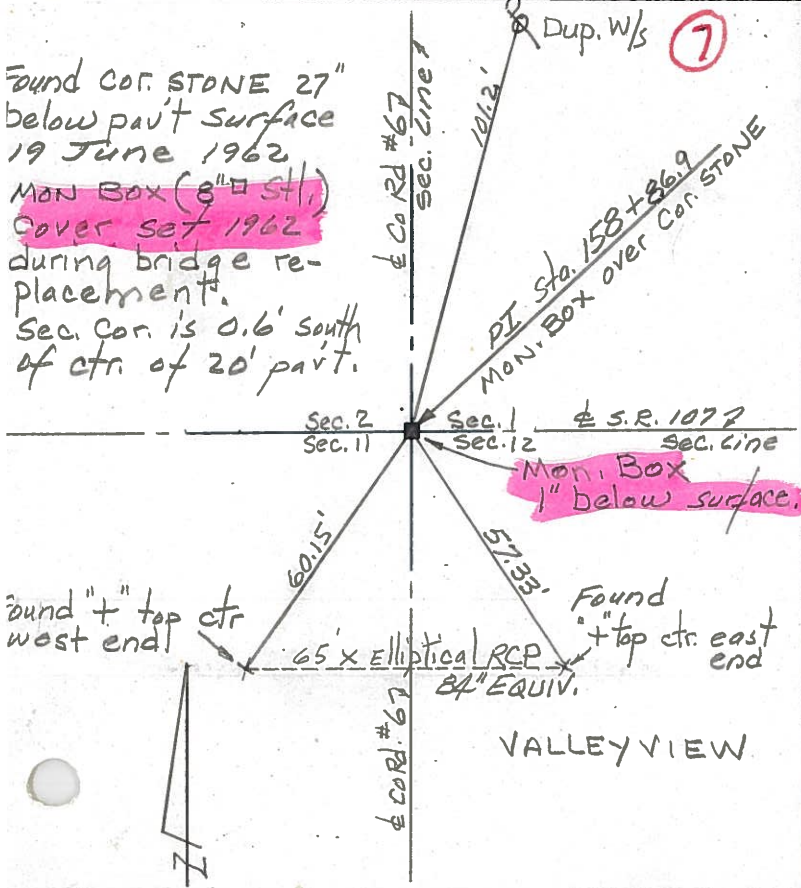
COUNTY Williams DATE 25 Mar 76

S. R. 107 WEATHER

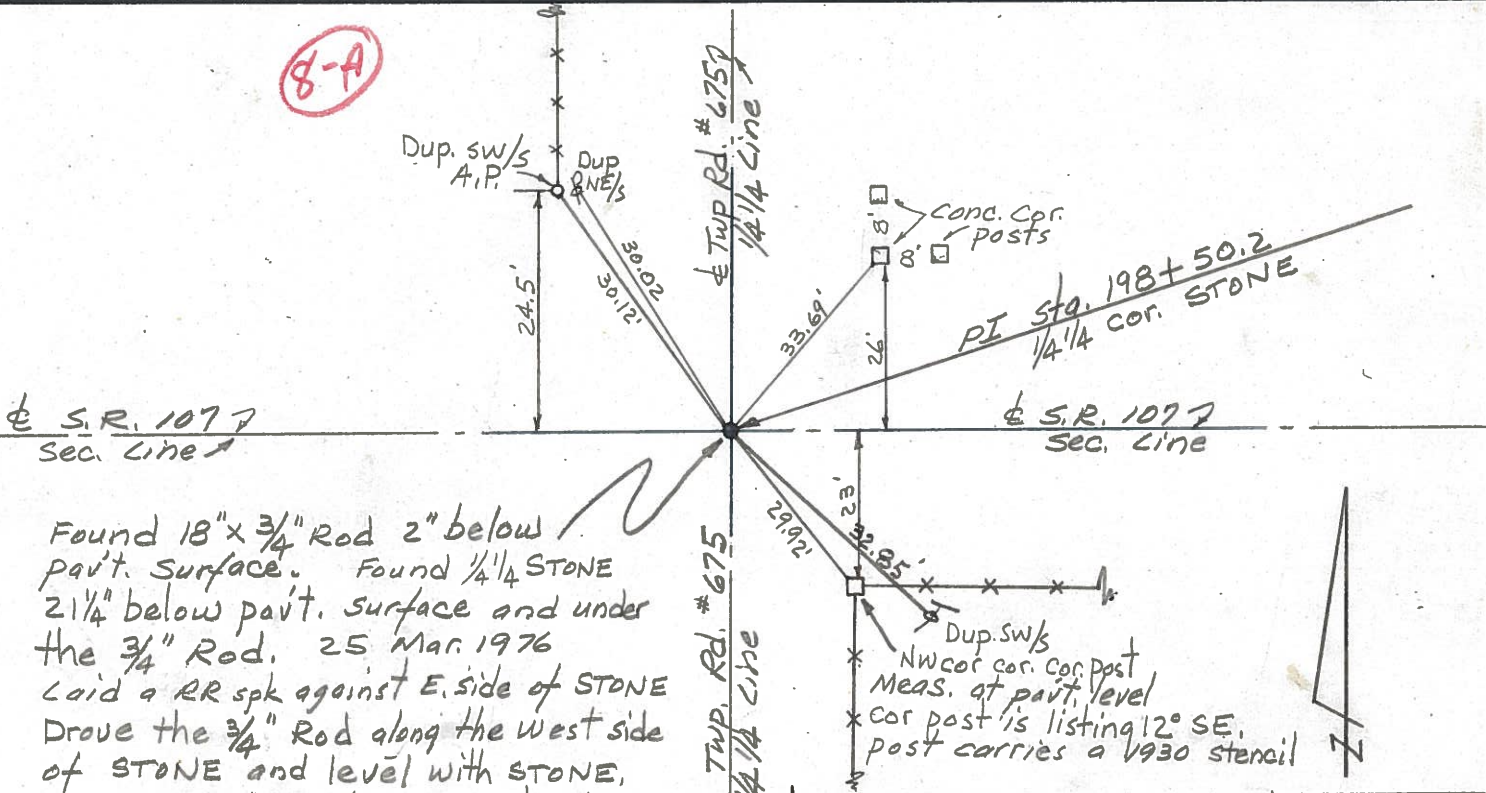
SEC. Florence Twp. TEMP

DESCRIPTION CONTROL POINTS JOB NO.

Found Cor. STONE 27"  
below pav't surface  
19 June 1962  
Mon Box (8" x 8" Stl.)  
Cover set 1962  
during bridge re-  
placement.  
Sec. Cor. is 0.6' south  
of ctr. of 20' pav't.



8-A



Found 18" x 3/4" Rod 2" below  
pav't. surface. Found 1/4" STONE  
2 1/4" below pav't. surface and under  
the 3/4" Rod. 25 Mar. 1976  
Laid a RR spk against E. side of STONE  
Drove the 3/4" Rod along the west side  
of STONE and level with STONE,  
SET on 18" x 1" pipe over ctr of STONE  
STONE is 1.3' south of ctr. of 20' pav't.

See my April 1972 control points for  
Cor. STONE on Florence - Superior Twp. line  
1320.8' easterly, cor. sec. 1 | 6