

O.D.O.T. DISTRICT 2 SURVEY OFFICE (USE ONLY)

PERSONNEL

REFERENCE NO. 13

SHEET 14 OF 16

NOTES RHOADES
 H.C. O'DONNELL
 R.C. RHOADES

DATE 9/28/18
 WEATHER CLEAR
 TEMP. 59°

ROUTE SR 107
 COUNTY WILLIAMS
 TOWNSHIP SUPERIOR
 SECTION 4
 T 7 N R 2 E

DWG BY NIESE PID 105474

TYPE MONUMENT P.K./WASHER

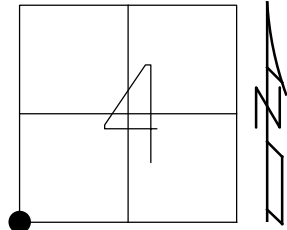
~~ON SURFACE~~ - BELOW 3 1/2"

OFFSET \odot PAVEMENT 0.7' LT : ~~RT~~
9.8' TO LT EDGE PAVEMENT

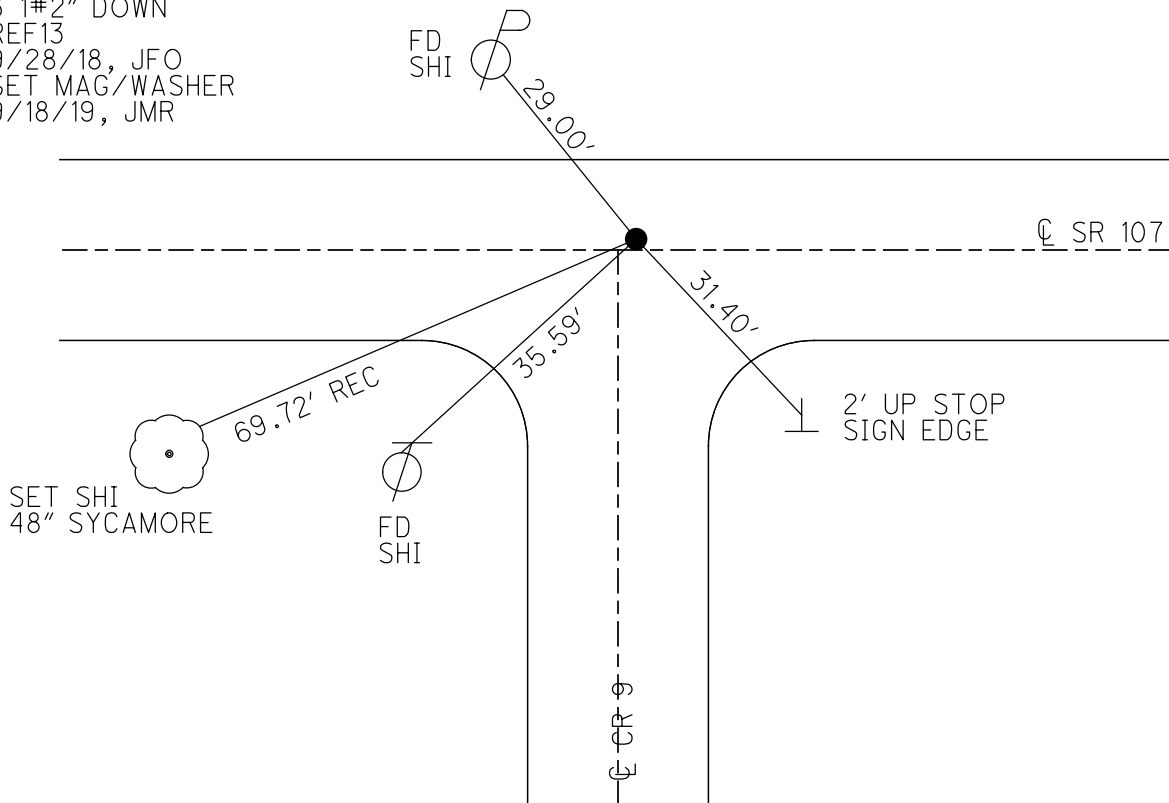
STATION: 321+14

HORIZ.DATUM: NAD83(2011) GEOID: 2012A

GRID: NORTHING: 706655.721 EASTING: 1379892.589



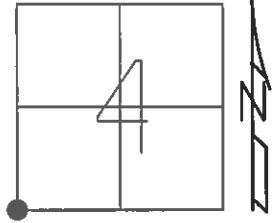
RECORD: P.I.
 STA. 321+07.3
 FD P.K./WASHER
 6/19/01, MC
 SET P.K./WASHER
 10-21-02, MB
 REF13
 6-17-14, JMR
 1/26/15, JLL
 FD P.K./WASHER
 3 1#2" DOWN
 REF13
 9/28/18, JFO
 SET MAG/WASHER
 9/18/19, JMR



O.D.O.T. DISTRICT 2 SURVEY OFFICE (USE ONLY)

PERSONNEL _____ REFERENCE NO. 13 SHEET 14 OF 18
 NOTES RHOADES DATE 6-17-14 ROUTE SR 107
 H.C. RHOADES WEATHER CLOUDY-WINDY COUNTY WILLIAMS
 R.C. MEYER TEMP. 85° TOWNSHIP SUPERIOR
 _____ SECTION 4
 _____ T 7 N R 2 E

TYPE MONUMENT PK/WASHER
 ON SURFACE - ~~BELOW~~ ON _____
 LEFT - Q PAV'T - ~~RIGHT~~ 0.7'
9.8' TO LT EDGE PAVEMENT
 S.L.M. 321+14



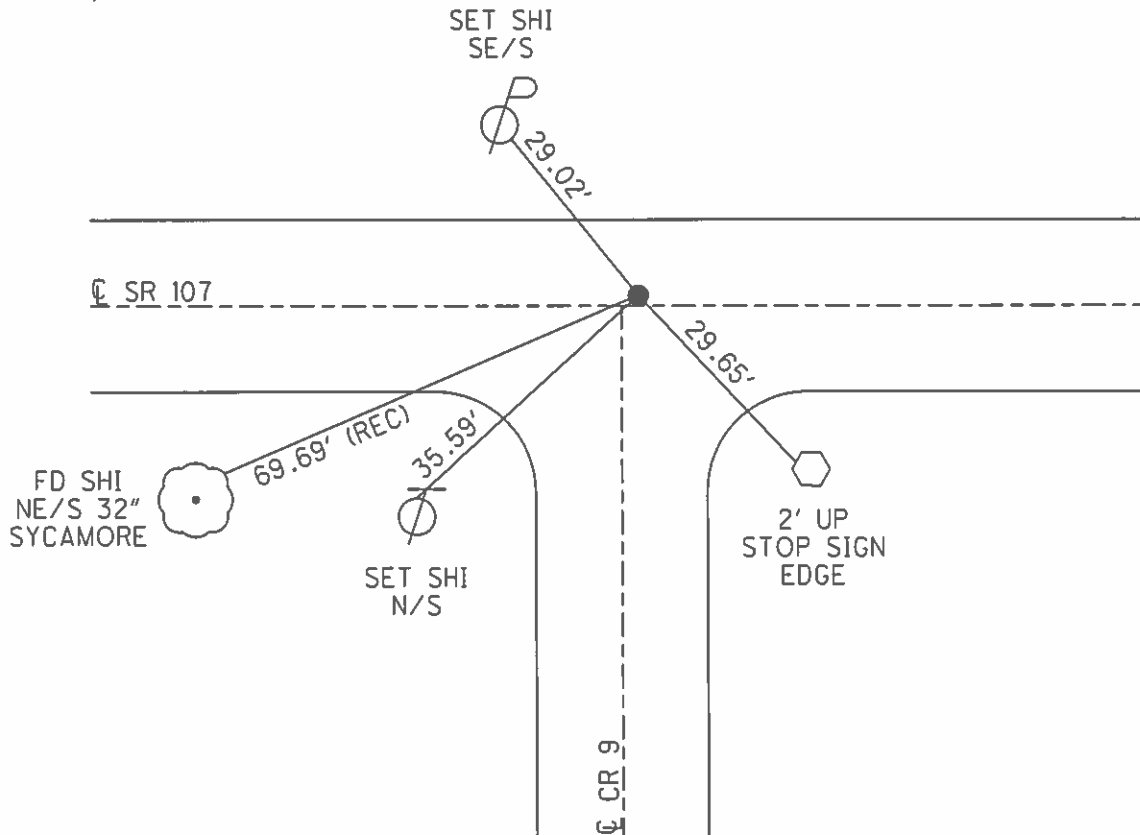
Grid: Northing: 706655.686 Easting: 1379892.647

RECORD: PI STA 321+07.3
 FD P.K./WASHER
 6/19/01, MC

UNCOVERED POINT
 AFTER CHIP AND SEAL
 1/26/15, JLL

RESET PK/WASHER
 10-21-02, M.B.

GPS REF13
 6-17-14, JMR



O.D.O.T. DISTRICT 2 SURVEY OFFICE

PERSONNEL _____

REFERENCE NO. 13

SHEET 13 OF 14

NOTES MOSE

H.C. MOSE

R.C. CANTERBURY

DATE 6-19-01

WEATHER CLEAR

TEMP. +95°

ROUTE S.R. #107

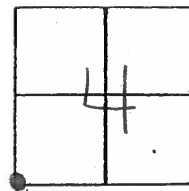
COUNTY WILLIAMS

TOWNSHIP SUPERIOR

SECTION 4

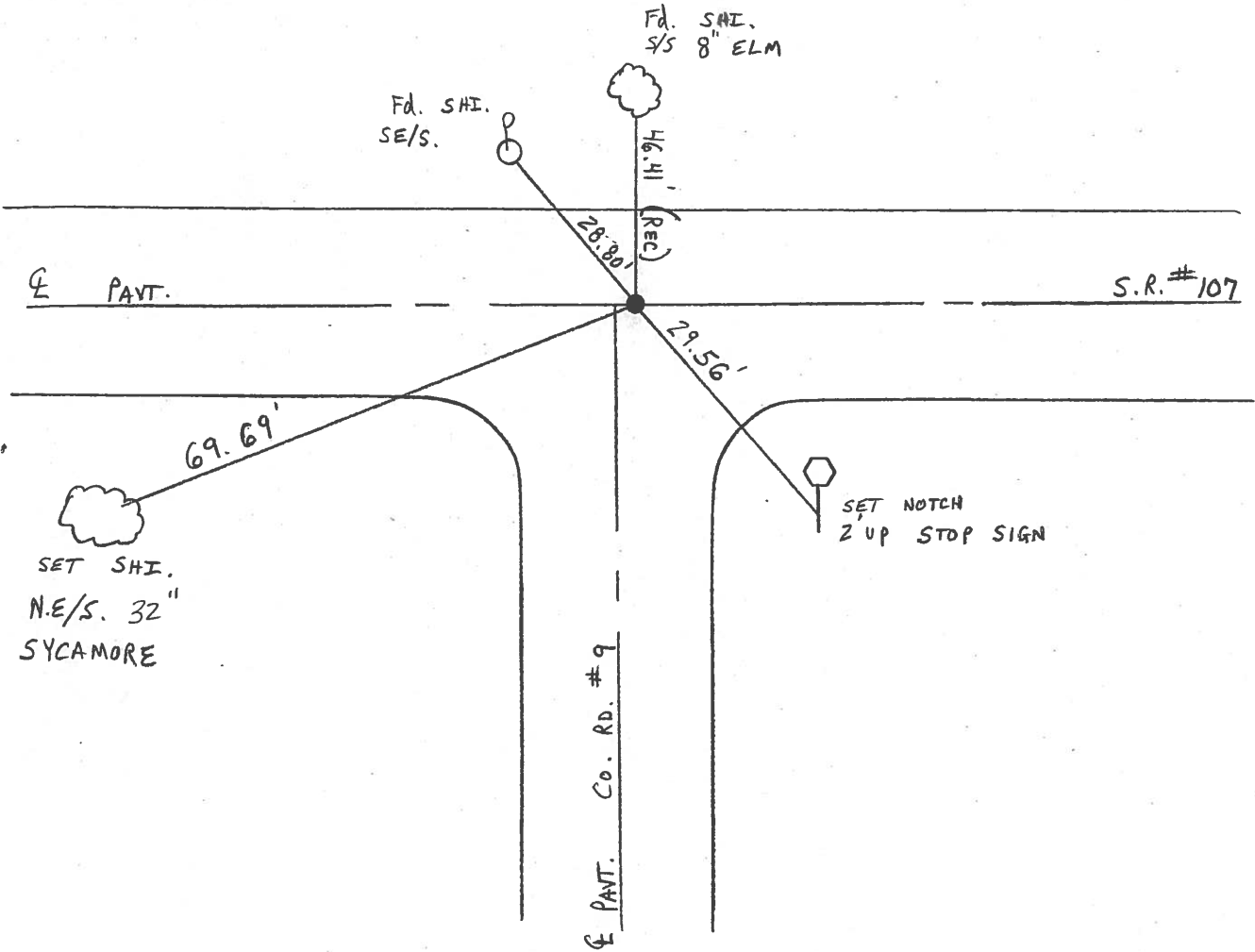
T 7 N R 2 E

TYPE MONUMENT P.K. / WASHER
 ON SURFACE - ~~BELOW~~ SURFACE
 LEFT-~~☉~~ PAV'T. - ~~RIGHT~~ 0.7' LT ☉
9.0' TO LT. EDGE PAVEMENT
 S.L.M. 321 + 14



RECORD: P.I. STA 321+07.3

RESET PK/WASHER
 10-21-02
 M.B.



O.D.O.T. DISTRICT 2 SURVEY OFFICE

PERSONNEL _____ REFERENCE NO. 13 SHEET 13 OF 18

NOTES LOEHRKE

H.C. CURTIS DATE 5-21-92 ROUTE S.R. 107

R.C. ROMETO WEATHER CLEAR COUNTY Williams

_____ TEMP. +75 TOWNSHIP SUPERIOR

_____ SECTION 4

_____ T 7 N R 2 E

TYPE MONUMENT Sm. R.P. Spike SET PK/WASHER

ON SURFACE ~~BELOW~~ Yes 8-11-92 &c

~~LEFT~~ - PAV'T. - ~~RIGHT~~ S.R. 107 30' E PAVT

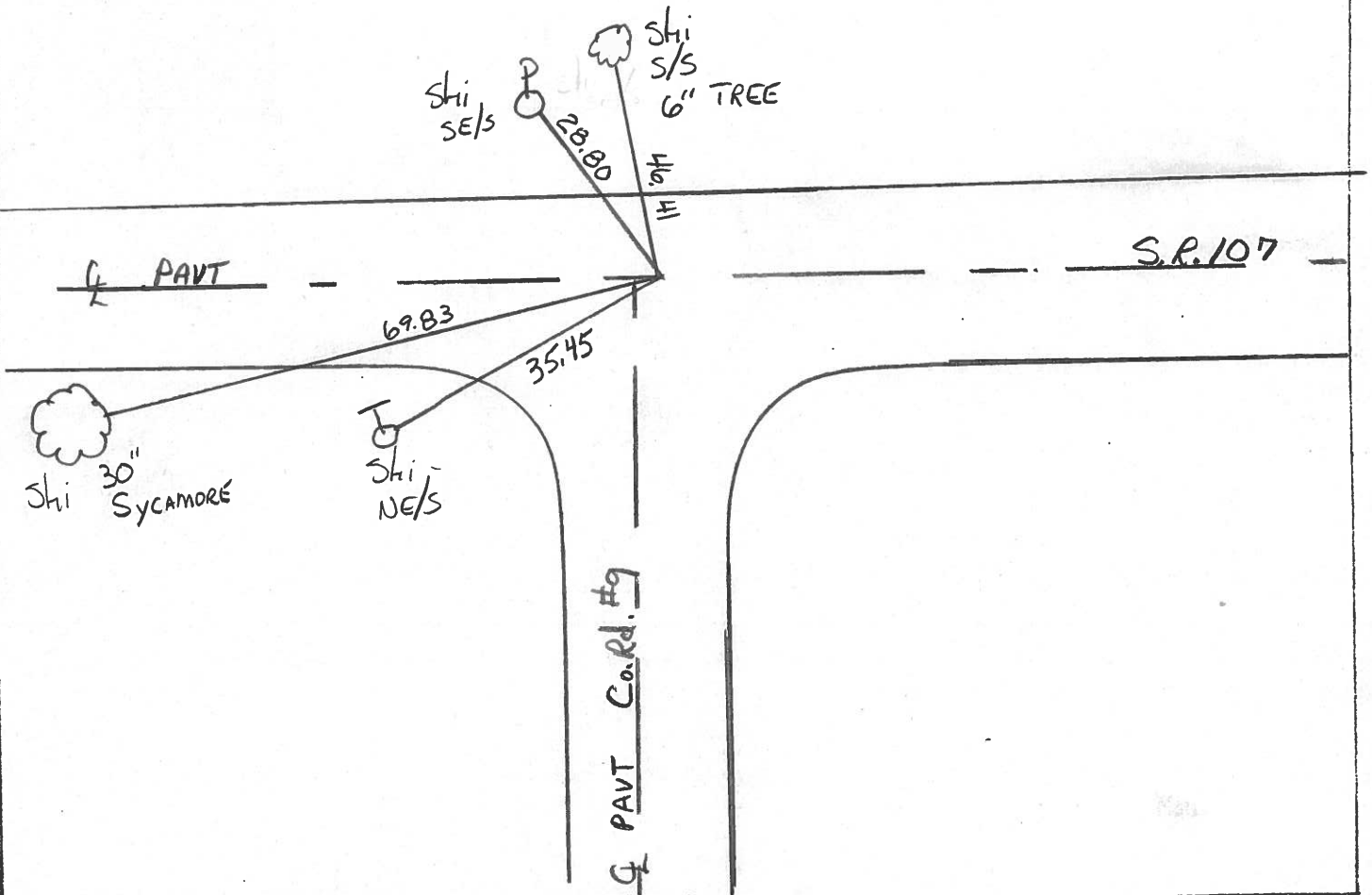
9.7 TO Lt EDGE PAVEMENT Co.Rd. #9

S.L.M. 321+12

5	4
8	9



RECORD P.I.
Sta 321+07.3



O.D.O.T. DISTRICT 2 SURVEY OFFICE

PERSONNEL

REFERENCE NO. 13

SHEET 14 OF

NOTES LOEHRKE

H.C. BARNHISEL

R.C. HOFFMAN

DATE 4-3-85

WEATHER WINDY clear

TEMP. +50

ROUTE SR 107

COUNTY WILLIAMS

TOWNSHIP SUPERIOR

SECTION 4

T 7 N R 2 E

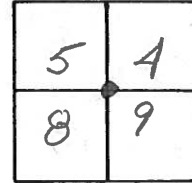
TYPE MONUMENT P.K.

~~ON SURFACE - BELOW~~ ON SURFACE

~~LEFT - & PAV'T. - RIGHT~~ 0.8' LF SR 107

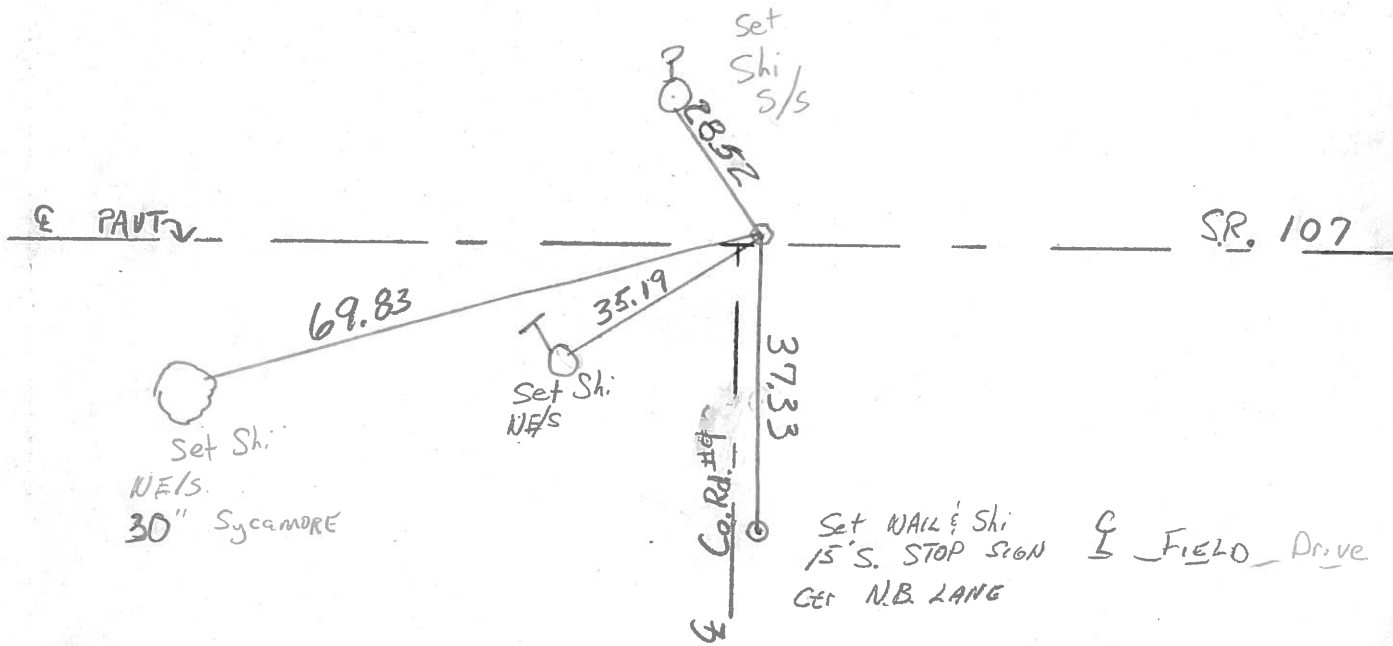
9.3 TO LF EDGE PAVEMENT 3' E & C.R.#9

S.L.M. 321+13



PI Sta 321+07.3

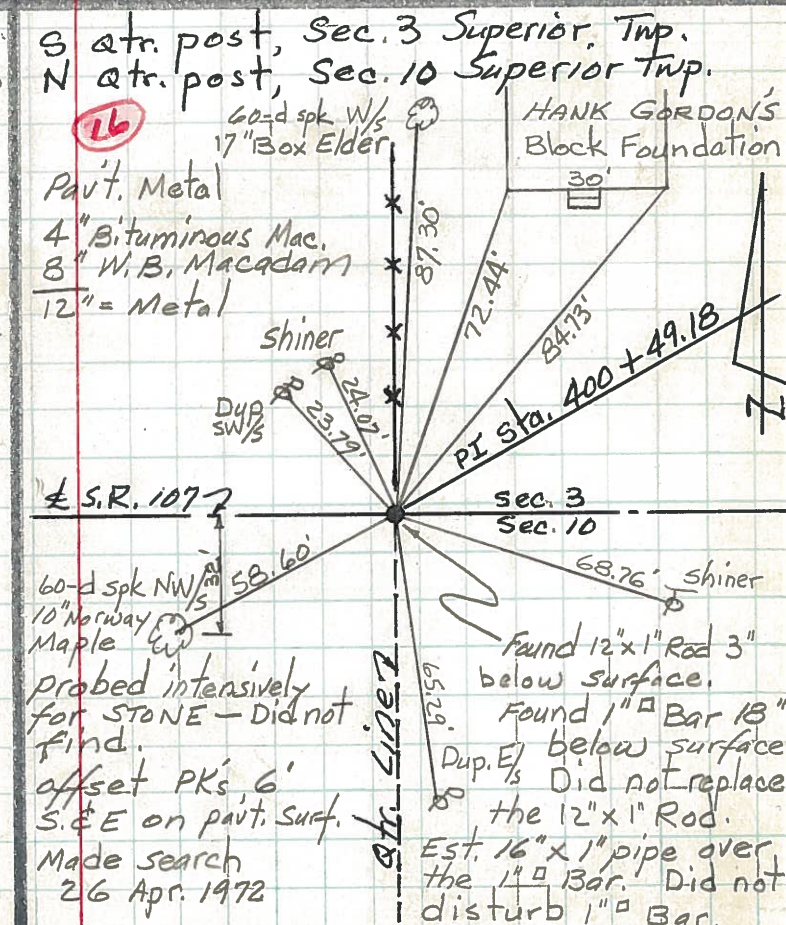
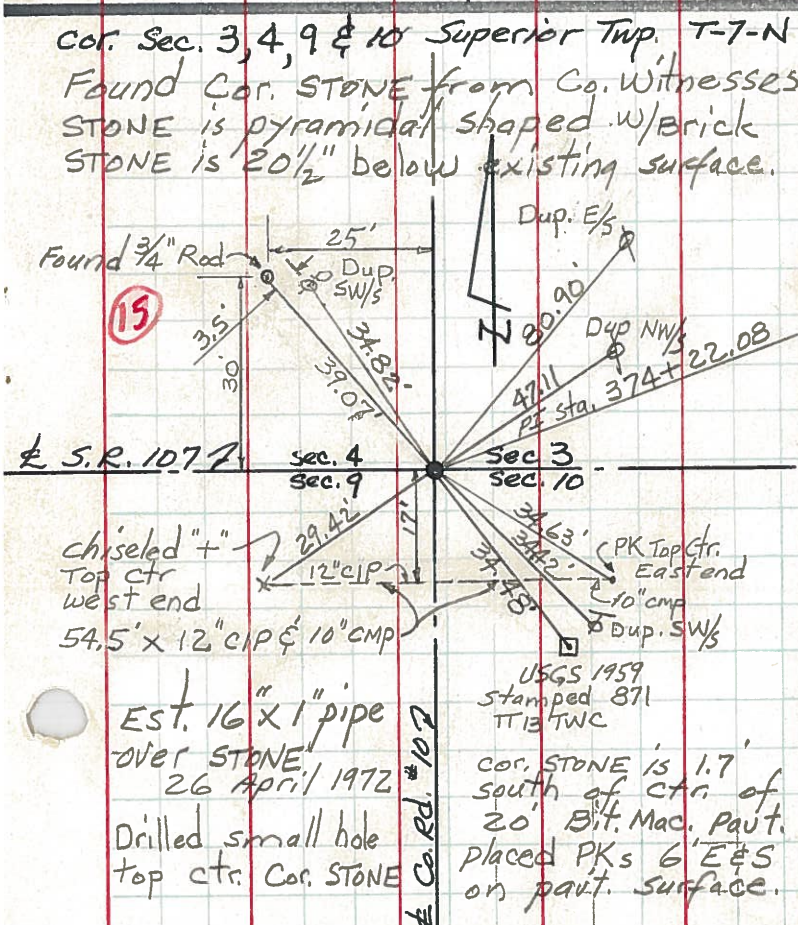
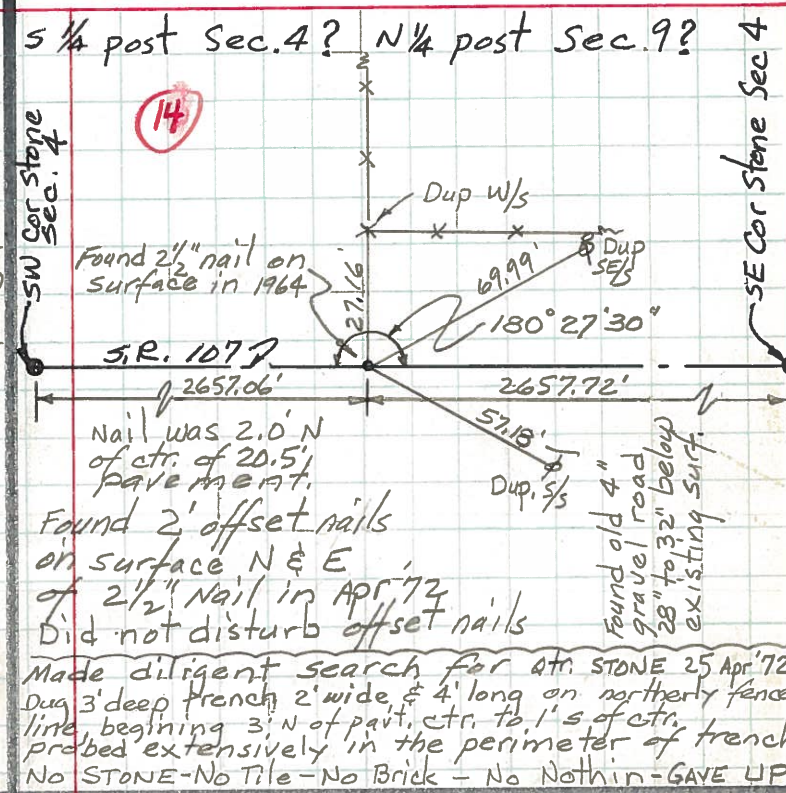
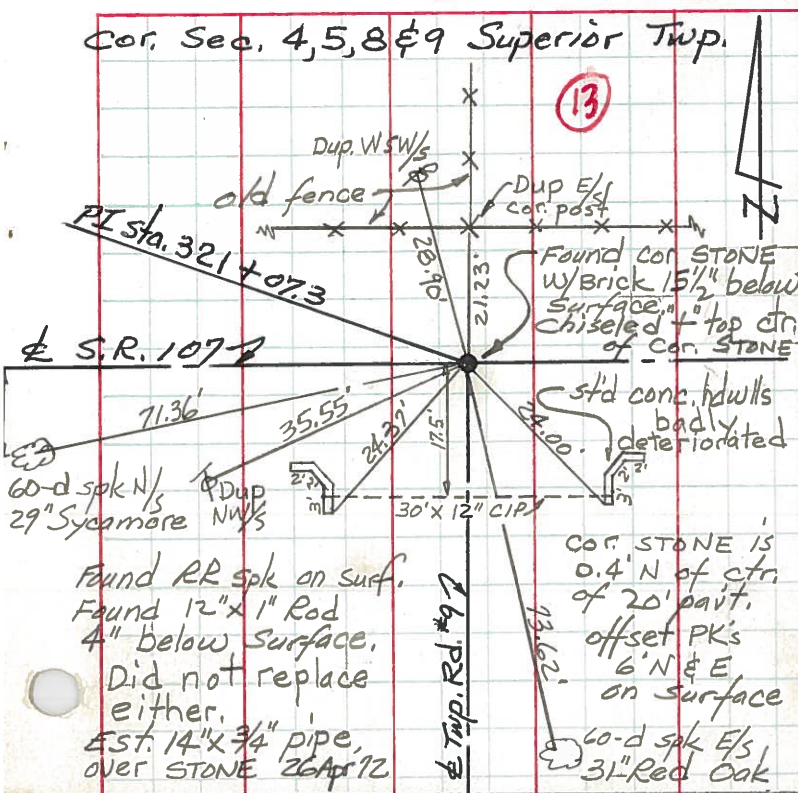
Set Sm. R.R. Spk
5-23-85 C.L.



PERSONNEL TITLE PERSONNEL TITLE
Red Beach _____
Newcomb _____
Knape _____

COUNTY Williams DATE Apr. 1972
 S. R. 107 WEATHER _____
 SEC. Superior Twp. TEMP. _____

DESCRIPTION CONTROL POINTS JOB NO.



PERSONNEL TITLE PERSONNEL TITLE
Red Beach _____
Newcomb _____
Knape _____

COUNTY Williams DATE Apr. 1972
 S. R. 107 WEATHER _____
 SEC. Superior Twp. TEMP. _____

DESCRIPTION CONTROL POINTS JOB NO.

