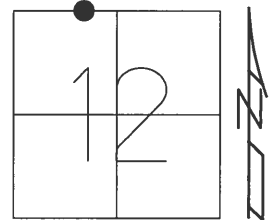


O.D.O.T. DISTRICT 2 SURVEY OFFICE (USE ONLY)

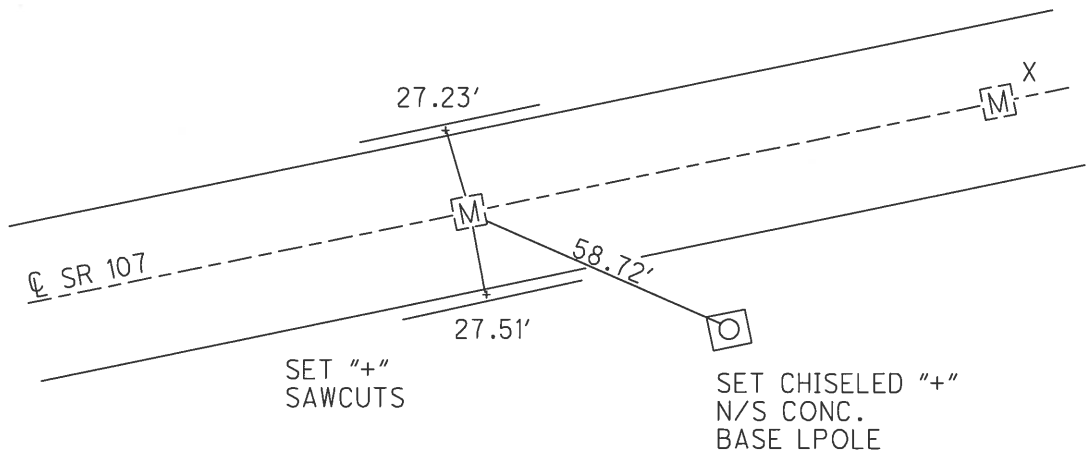
PERSONNEL _____ REFERENCE NO. 19 D SHEET 20 OF 25
 NOTES LEU DATE 4/21/17 ROUTE SR 107
 H.C. LEU WEATHER CLOUDY COUNTY WILLIAMS
 R.C. HELDMAN TEMP. 50° TOWNSHIP SUPERIOR
 _____ SECTION 12
 _____ T 7 N R 2 E

TYPE MONUMENT MONBOX
 ON SURFACE - ~~BELOW~~ ON
 LEFT - ☉ PAV'T - RIGHT ON
- TO - EDGE PAVEMENT
 S.L.M. 498+04.54



GRID: NORTHING: 706355.079 EASTING: 1397582.518

RECORD:
 FD MONBOX
 W/"+" ON LID
 JMR558



PERSONNEL	TITLE	PERSONNEL	TITLE
Red Beach			
Newcombs			
Kraep			
Wist			

COUNTY Williams DATE Dec. '68
 S. R. 107 WEATHER _____
 SEC. 8.96-11.05 TEMP. _____

DESCRIPTION ALIGNMENT JOB NO. 02794

