

O.D.O.T. DISTRICT 2 SURVEY OFFICE (USE ONLY)

PERSONNEL

REFERENCE NO. 23

SHEET 1 OF 1

NOTES BARNHISEL

DATE 12/6/93

ROUTE SR 107

H.C. VAN DUSEN

WEATHER RAIN

COUNTY WILLIAMS

R.C. CORDES

TEMP. 40°

TOWNSHIP JEFFERSON

SECTION 8

DWG BY NIESE PID 101346

T 7 N R 3 E

TYPE MONUMENT P.K. NAIL

ON SURFACE - ~~BELOW~~ ON

OFFSET ☉ PAVEMENT ON LT : RT

- TO - EDGE PAVEMENT

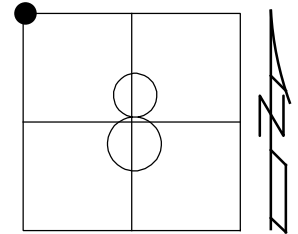
STATION: 583+62.23

HORZ.DATUM: NAD83(2011)

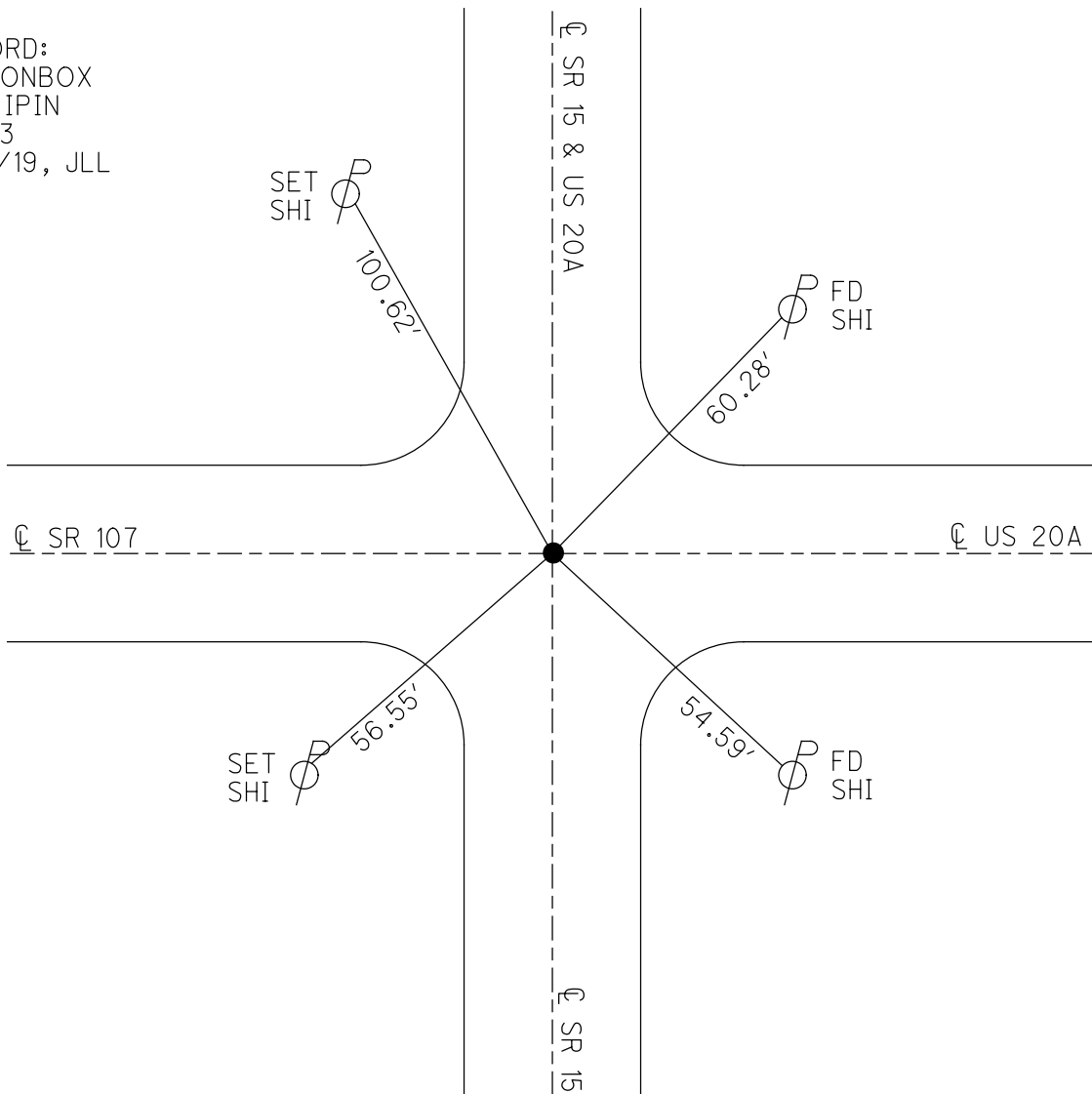
GEOID: 2012A

GRID: NORTHING: 706139.580

EASTING: 1406138.574



RECORD:
FD MONBOX
W/1" IPIN
REF23
3/13/19, JLL

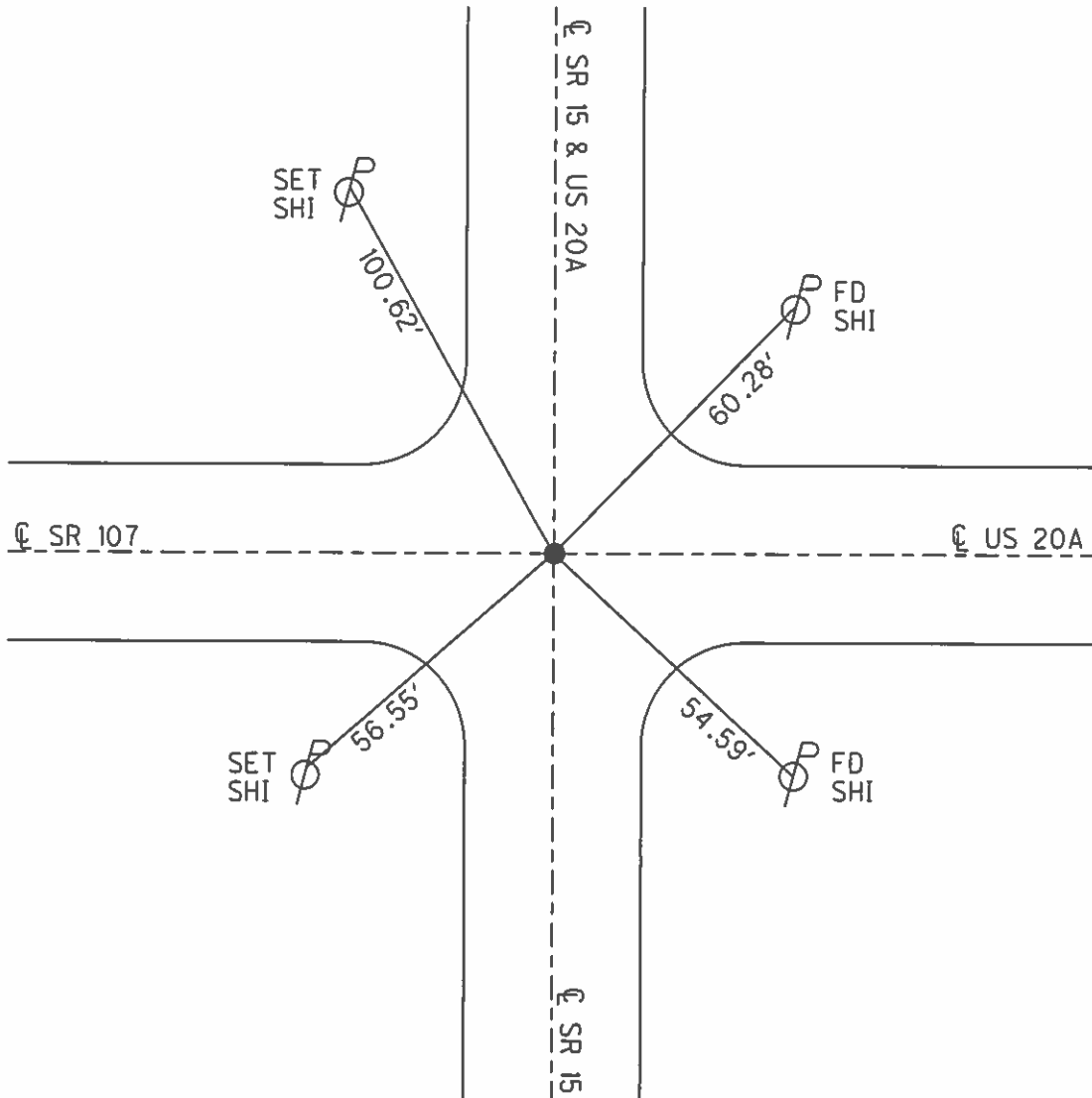
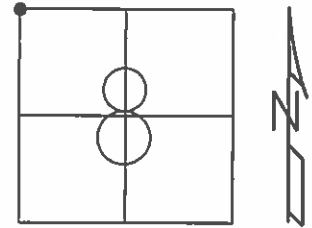


O.D.O.T. DISTRICT 2 SURVEY OFFICE (USE ONLY)

PERSONNEL _____ REFERENCE NO. 23 SHEET 4 OF 7

NOTES BARNHISEL DATE 12/6/93 ROUTE SR 107
 H.C. VAN DUSEN WEATHER RAIN COUNTY WILLIAMS
 R.C. CORDES TEMP. 40° TOWNSHIP JEFFERSON
 SECTION 8
 T 7 N R 3 E

TYPE MONUMENT P.K.NAIL
 ON SURFACE - ~~BELOW~~ ON
 LEFT - ☉ PAV'T - RIGHT ON
- TO - EDGE PAVEMENT
 S.L.M. 583+62.23
 GRID: NORTHING: _____ EASTING: _____



O.D.O.T. DISTRICT 2 SURVEY OFFICE

PERSONNEL

REFERENCE NO. 27^{SR 15}
23 SR 107

SHEET 4 OF 7

NOTES BARNHISEL

H.C. VAN DUSEN

R.C. CORDES

DATE 12-6-93

WEATHER RAIN

TEMP. +40°

ROUTE 15 ^{U.S.} 20-A

COUNTY WILLIAMS

TOWNSHIP Jefferson

SECTION 8

T 7 N R 3 E

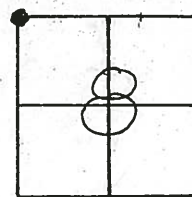
TYPE MONUMENT P.K. NAIL

ON SURFACE - ~~BELOW~~ yes

~~BEF - & PAV'T.~~ - ~~RIGHT~~ yes

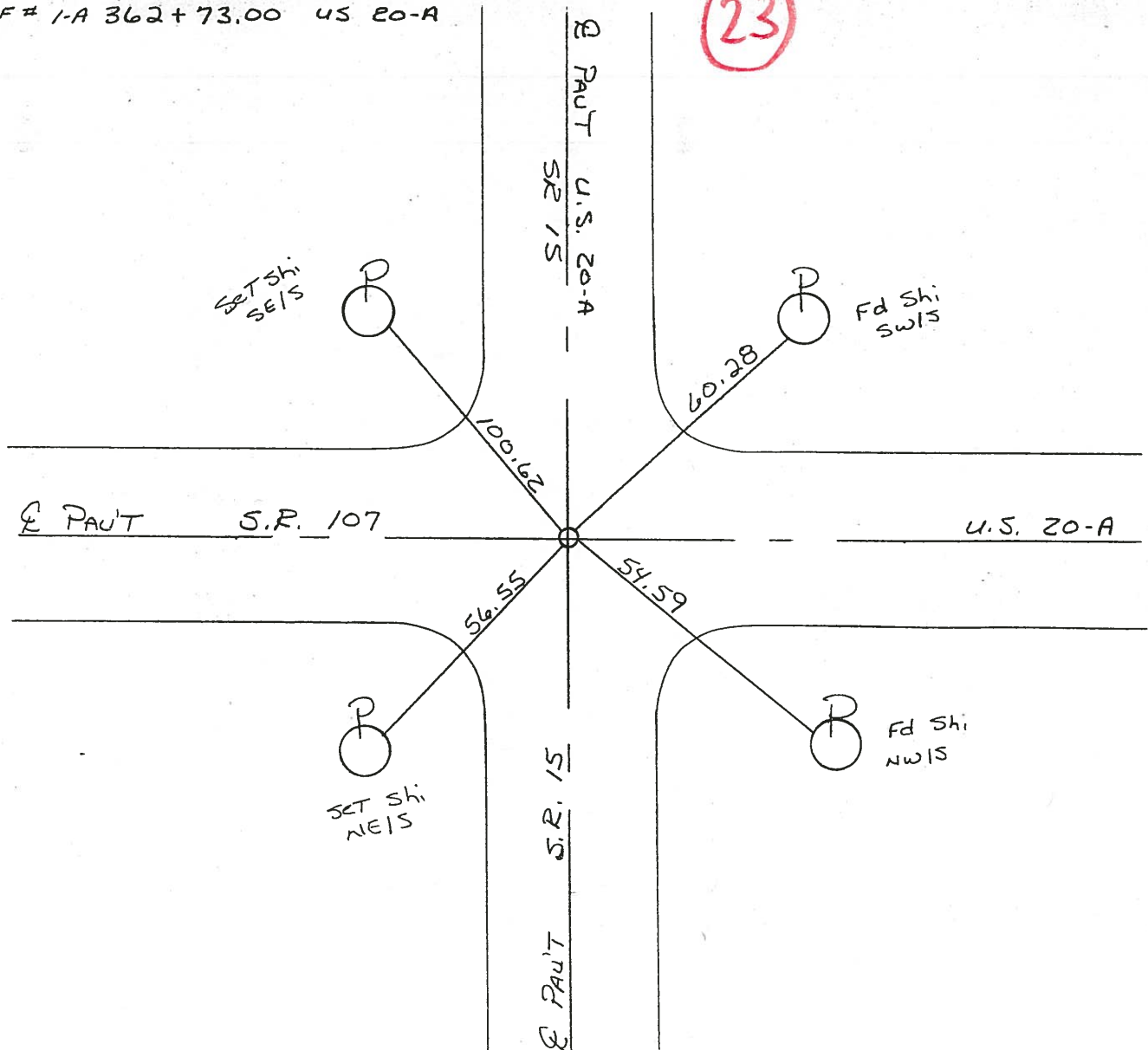
- TO - EDGE PAVEMENT

S.L.M. 425+05.90 SR 15



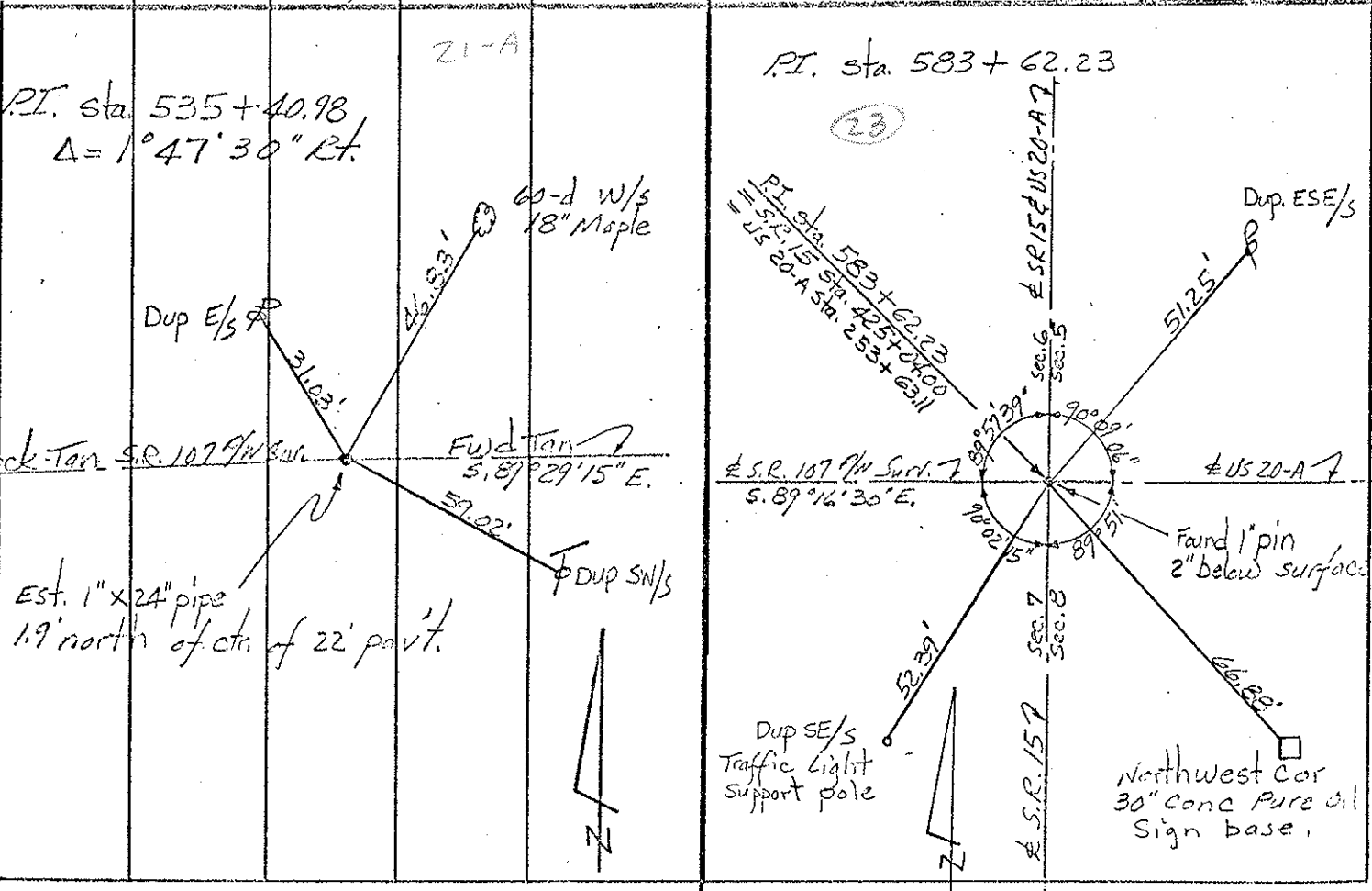
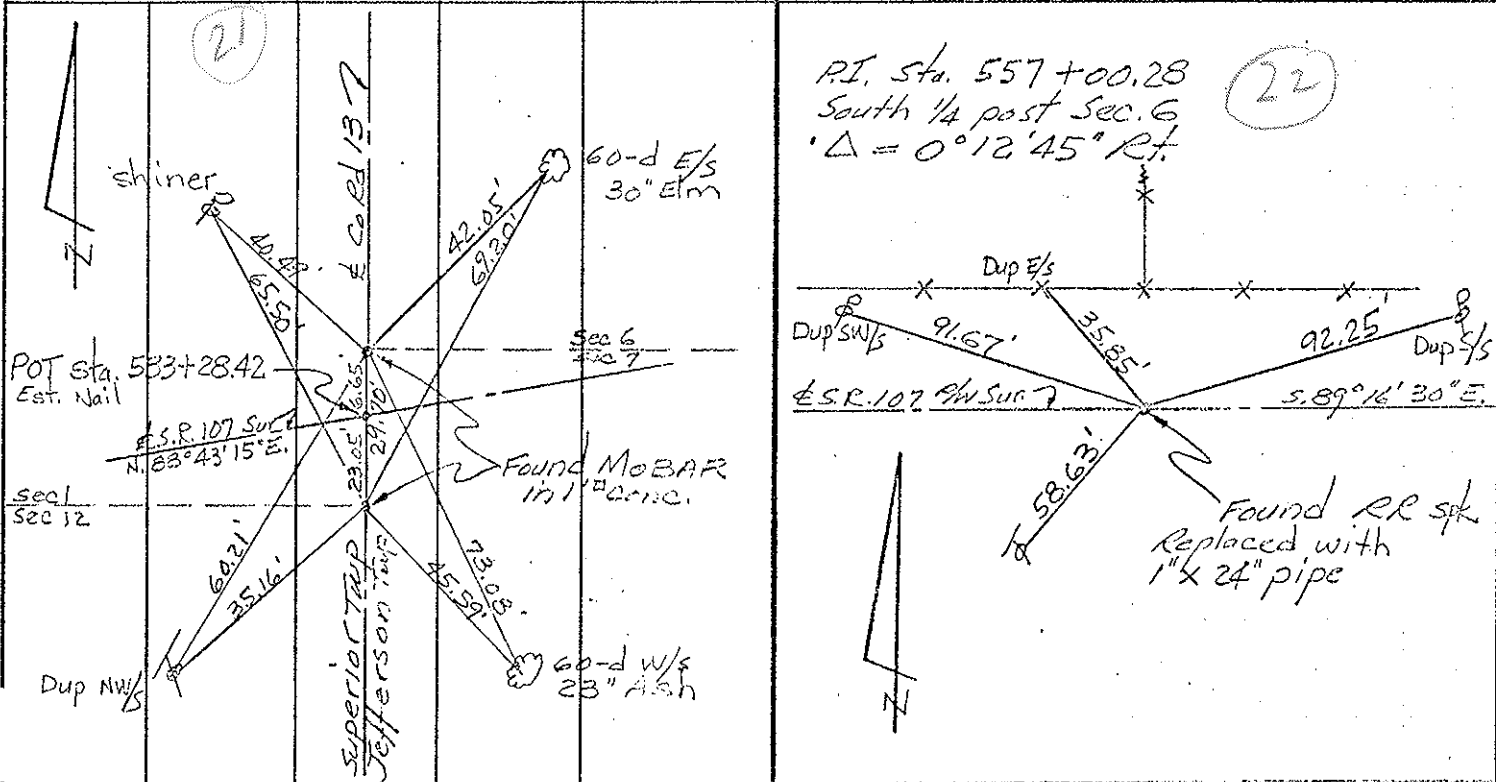
583+62.23 SR 107
REF # 1-A 362+73.00 US 20-A

23



PERSONNEL	TITLE	PERSONNEL	TITLE	COUNTY	DATE
Red Beach				Williams	17 Mar '69
Newcomb				S. R. 107	WEATHER
Knape				SEC. 8.95-11.05	TEMP.
Wise				JOB NO. 02734	

DESCRIPTION CONTROL POINTS



O.D.O.T. DISTRICT 2 SURVEY OFFICE

PERSONNEL

REFERENCE NO. 27^{SR 15}
23 SR 107

SHEET 4 OF 7

NOTES BARNHISEL

H.C. VAN DUSEN

R.C. CORDES

DATE 12-6-93

WEATHER RAIN

TEMP. +40°

ROUTE 15 ^{U.S.} 20-A

COUNTY WILLIAMS

TOWNSHIP Jefferson

SECTION 8

T 7 N R 3 E

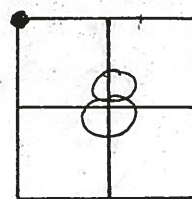
TYPE MONUMENT P.K. NAIL

ON SURFACE - ~~BELOW~~ yes

~~BEF - E~~ PAV'T. - ~~RIGHT~~ yes

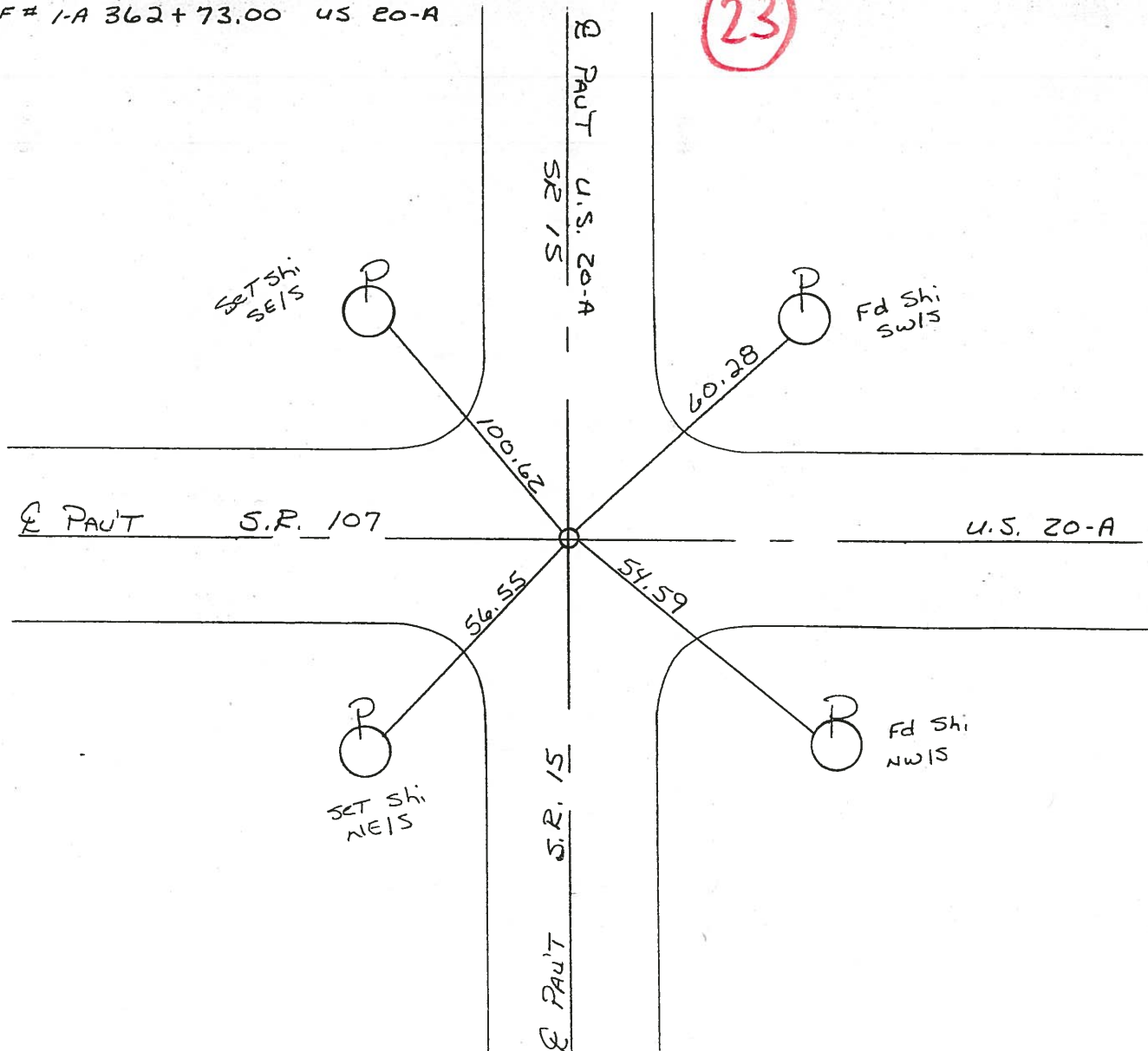
- TO - EDGE PAVEMENT

S.L.M. 425+05.90 SR 15



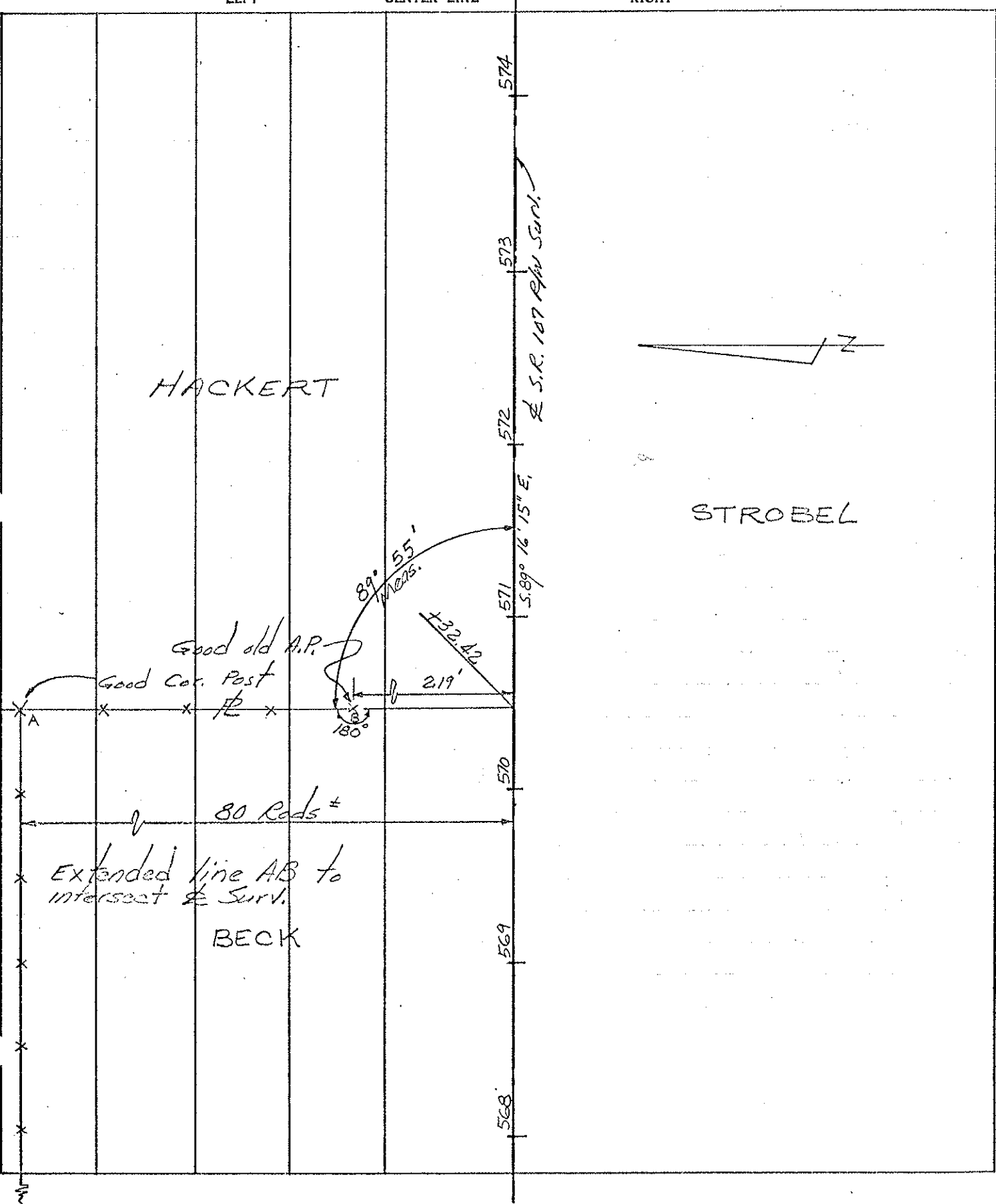
583+62.23 SR 107
REF # 1-A 362+73.00 US 20-A

23



PERSONNEL	TITLE	PERSONNEL	TITLE	COUNTY	<u>Williams</u>	DATE	<u>Feb 69</u>
<u>Red Beach</u>				S. R.	<u>107</u>	WEATHER	
<u>Newcomb</u>				SEC.	<u>895-11.05</u>	TEMP.	
<u>Knape</u>							
<u>Wise</u>							

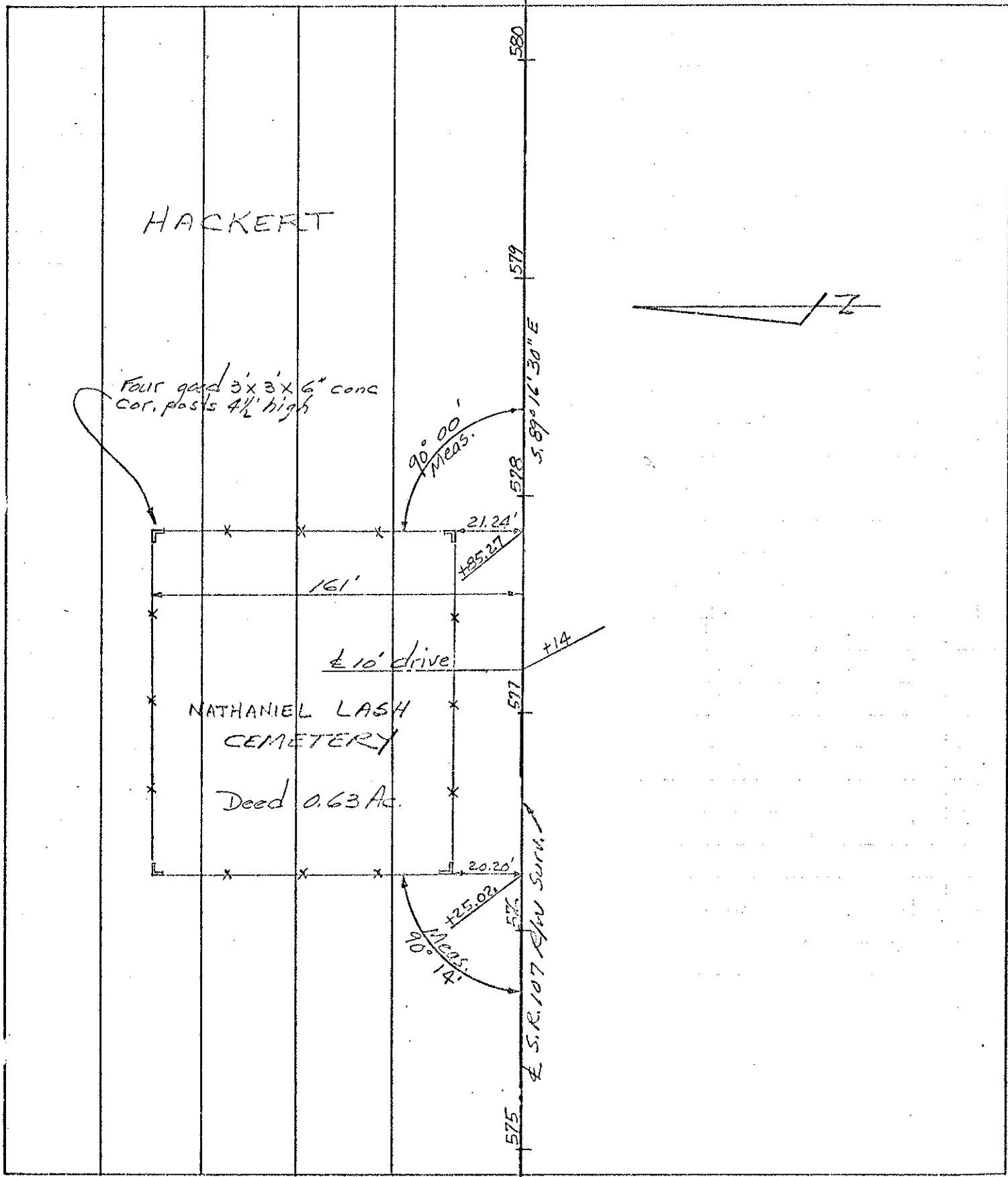
DESCRIPTION ALIGNMENT JOB NO. 02734



PERSONNEL	TITLE	PERSONNEL	TITLE
Red Bench			
Newkirk			
Krane			
Wise			

COUNTY Williams DATE Feb 69
 S. R. 107 WEATHER _____
 SEC. 895-11.05 TEMP. _____

DESCRIPTION ALIGNMENT JOB NO. 02734



PERSONNEL	TITLE	PERSONNEL	TITLE
Red Beach			
Newsom			
Knape			
Wise			

COUNTY Williams DATE Feb '69

S. R. 107 WEATHER _____

SEC. 8.95-11.05 TEMP. _____

DESCRIPTION ALIGNMENT JOB NO. 02734

