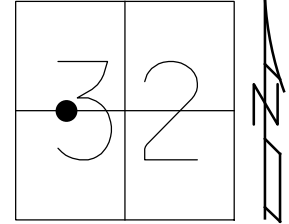


O.D.O.T. DISTRICT 2 SURVEY OFFICE (USE ONLY)

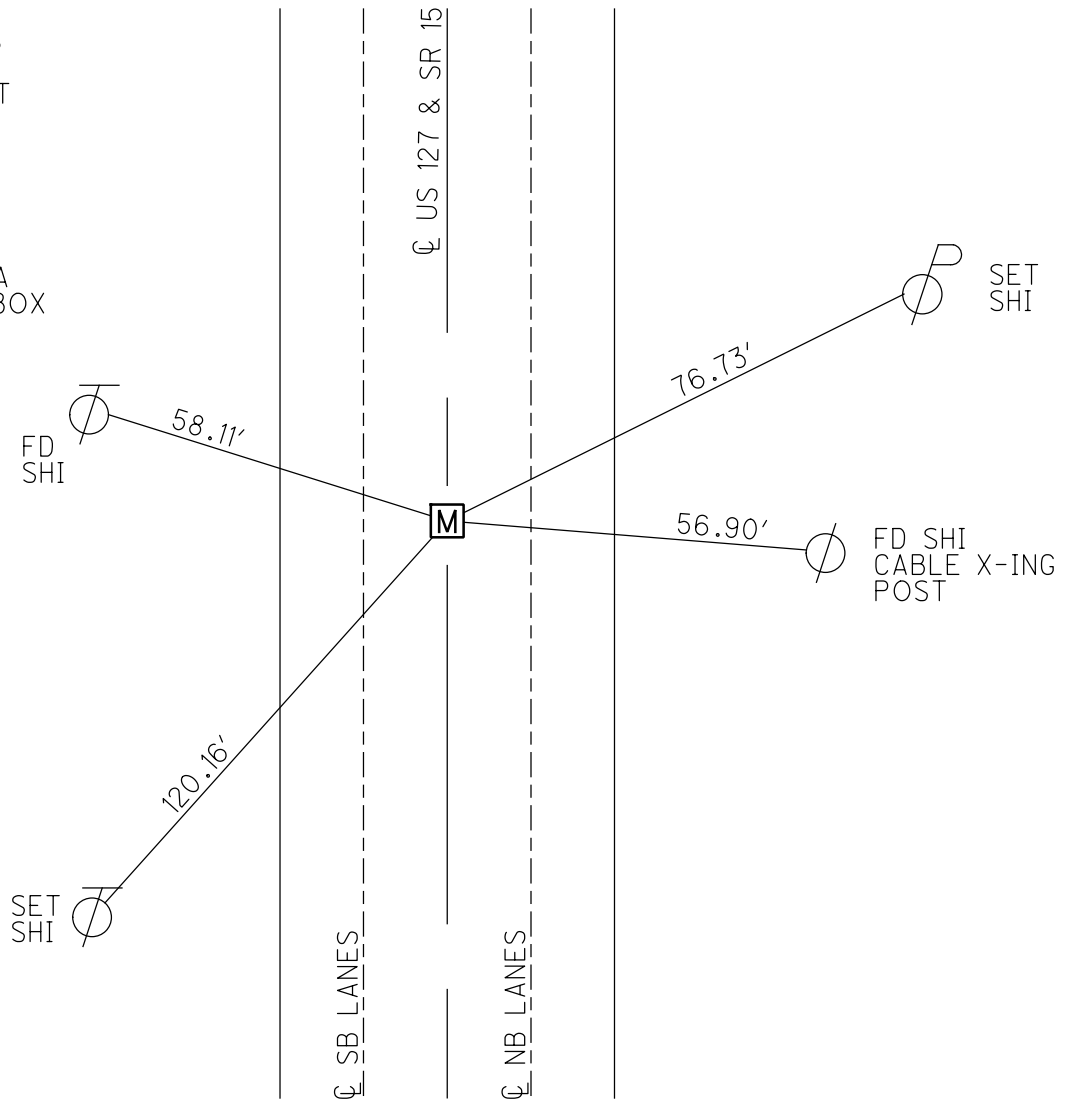
PERSONNEL _____ REFERENCE NO. 5 SHEET 5 OF 9
 NOTES MAHLER DATE 7/17/20 ROUTE US 127
 H.C. AUBLE WEATHER SUNNY COUNTY WILLIAMS
 R.C. RHOADES TEMP. 75°F TOWNSHIP PULASKI
 SECTION 32
 DWG BY MAHLER PID 101219 T 6 N R 3 E

TYPE MONUMENT MONBOX W/1" IPIN
 ON SURFACE - ~~BELOW~~ ON
 OFFSET Q PAVEMENT ON LT : RT
- TO - EDGE PAVEMENT
 STATION: 27+70



HORIZ.DATUM: NAD83(2011) GEOID: NAVD88 2012A
 GRID: NORTHING: 650633.942 EASTING: 1406296.724

RECORD: P.I.
 STA. 27+71.8
 1965 PLANS
 $\Delta = 0^\circ 01' \text{ LT}$
 P.K.NAIL
 FD MONBOX
 W/1" IPIN
 6/4/92, MB
 FD MONBOX
 W/1" IPIN
 7/17/20, DSA
 FD NEW MONBOX
 W/ 1" IPIN
 NEWREF5
 4/12/21, JFO



O.D.O.T. DISTRICT 2 SURVEY OFFICE (USE ONLY)

PERSONNEL

REFERENCE NO. 5

SHEET 5 OF 9

NOTES MAHLER

DATE 7-17-20

ROUTE US 127

H.C. AUBLE

WEATHER SUNNY

COUNTY WILLIAMS

R.C. RHOADES

TEMP. 75°F

TOWNSHIP PULASKI

SECTION 32

DWG BY MAHLER PID 101219

T 6 N R 3 E

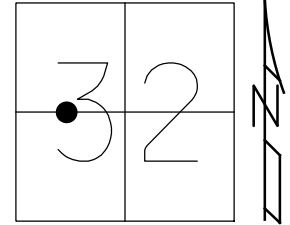
TYPE MONUMENT MONBOX W/1" IPIN

ON SURFACE - ~~BELOW~~ ON

OFFSET C PAVEMENT ON LT : RT

- TO - EDGE PAVEMENT

STATION: 27+70



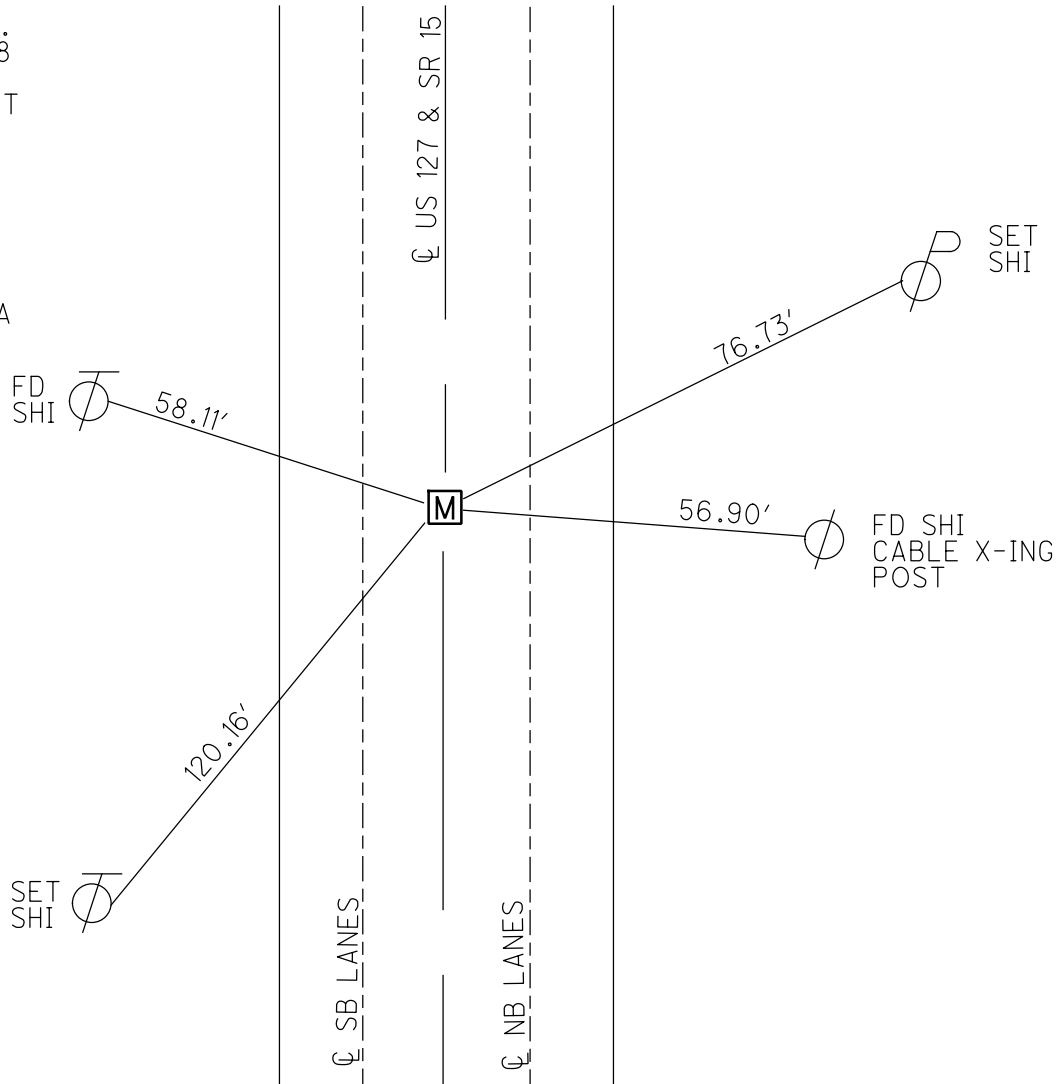
HORIZ.DATUM: NAD83 2011

GEOID: NAVD88 2012A

GRID: NORTHING: 650633.969

EASTING: 1406296.706

RECORD: P.I.
STA. 27+71.8
1965 PLANS
 $\Delta = 0^\circ 01' \text{ LT}$
P.K.NAIL
FD MONBOX
W/1" IPIN
6/4/92, MB
FD MONBOX
W/1" IPIN
REF5
7-17-20, DSA

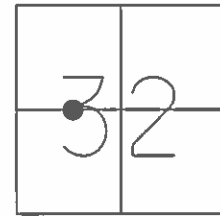


O.D.O.T. DISTRICT 2 SURVEY OFFICE (USE ONLY)

PERSONNEL _____ REFERENCE NO. 5 SHEET 5 OF 9

NOTES ROUSOS DATE 8/2/11 ROUTE US 127
 H.C. HARBUAGH WEATHER CLOUDY COUNTY WILLIAMS
 R.C. HOMAN TEMP. 82° F TOWNSHIP PULASKI
 _____ SECTION 32
 _____ T 6 N R 3 E

TYPE MONUMENT MONBOX
 ON SURFACE - ~~BELOW~~ ON _____
 LEFT - ☉ PAV'T - RIGHT ON _____
 _____ TO _____ EDGE PAVEMENT
 S.L.M. 27+70



GRID: NORTHING: 650633.963 EASTING: 1406296.682

RECORD:
 FD MONBOX
 6/4/92, MB

