

O.D.O.T. DISTRICT 2 SURVEY OFFICE (USE ONLY)

PERSONNEL

REFERENCE NO. 30 B

SHEET 37 OF 56

NOTES RHOADES

DATE 4/9/19

ROUTE US 127

H.C. O'DONNELL

WEATHER SUNNY/WINDY

COUNTY WILLIAMS

R.C. RHOADES

TEMP. 50°

TOWNSHIP JEFFERSON

DWG BY NASON

PID 102821

SECTION 23

T 7 N R 3 E

TYPE MONUMENT MAG/WASHER

ON SURFACE - ~~BELOW~~ ON

OFFSET Q PAVEMENT 0.3' LT : ~~RT~~

12.8' TO RT EDGE PAVEMENT

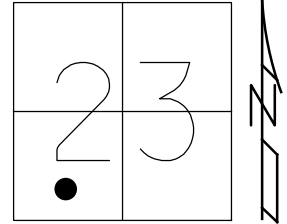
STATION: 538+19.32

HORZ. DATUM: NAD83(2011)

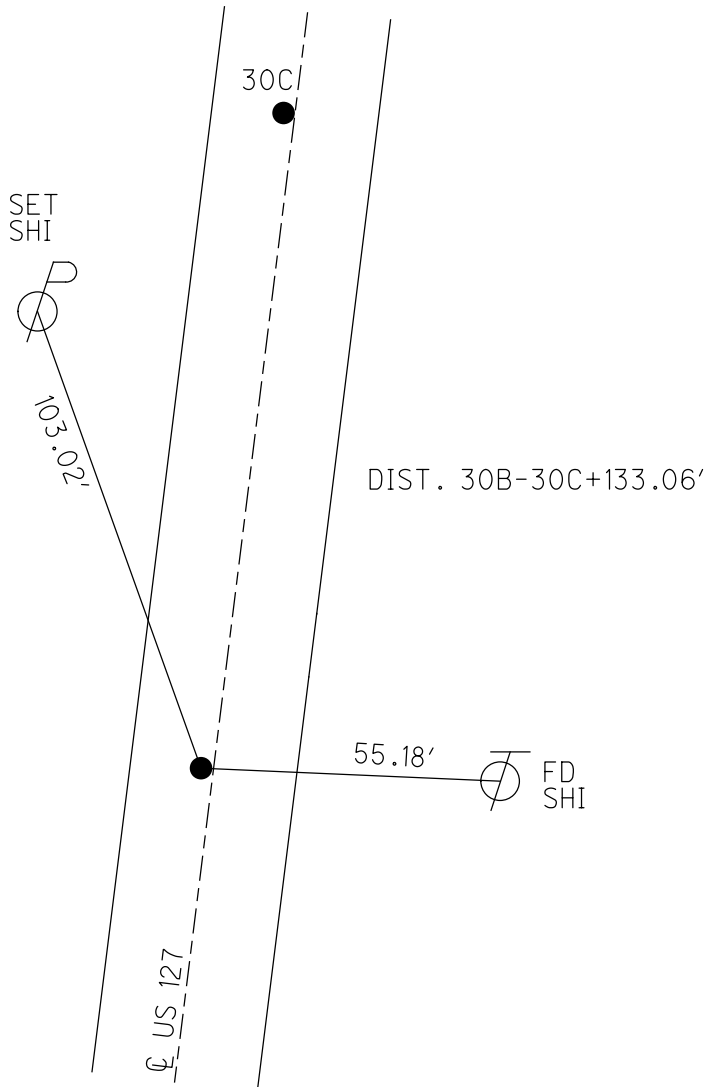
GEOID: 2012A

GRID: NORTHING: 690548.901

EASTING: 1423143.642



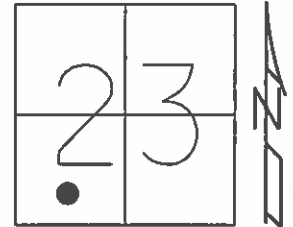
RECORD: S.T.
 STA. 526+00.17
 FD SM.R.R.SPIKE
 6/8/02, MB
 SET MAG/WASHER
 9/15/03, MDB
 FD P.K./WASHER
 6/20/11
 SET MAG/WASHER
 FB30
 2/16/12, SAH
 FD MAG/WASHER
 REFB30
 6/8/17, JFO
 SET MAG/WASHER
 8/14/19, JFO



O.D.O.T. DISTRICT 2 SURVEY OFFICE (USE ONLY)

PERSONNEL _____ REFERENCE NO. 30 B SHEET 37 OF 56
 NOTES CANTERBURY DATE 6/8/02 ROUTE US 127
 H.C. BARNHISEL WEATHER SUNNY COUNTY WILLIAMS
 R.C. MOSER TEMP. 75° TOWNSHIP JEFFERSON
 _____ SECTION 23
 _____ T 7 N R 3 E

TYPE MONUMENT SM.R.R.SPIKE
 ON SURFACE - ~~BELOW~~ ON _____
 LEFT - CL PAV'T - ~~RIGHT~~ 0.3'
12.8' TO RT EDGE PAVEMENT
 S.L.M. 524+39



Grid: Northing: 690548.914 Easting: 1423143.548

RECORD: S.T.
 STA. 526+00.17
 (OLD PLAN)
 SET MAG/WASHER
 9/15/03, MDB
 FD P.K./WASHER
 6/20/11
 SET MAG/WASHER
 GPS, FB30
 2/16/12, SAH

