

O.D.O.T. DISTRICT 2 SURVEY OFFICE (USE ONLY)

PERSONNEL

REFERENCE NO. 30 F

SHEET 41 OF 56

NOTES RHOADES

DATE 4/10/19

ROUTE US 127

H.C. O'DONNELL

WEATHER PTLY CLOUDY

COUNTY WILLIAMS

R.C. RHOADES

TEMP. 40°

TOWNSHIP JEFFERSON

SECTION 23

DWG BY NASON

PID 102821

T 7 N R 3 E

TYPE MONUMENT MAG/WASHER

ON SURFACE - ~~BELOW~~ ON

OFFSET 0.5' LT : RT

12.0' TO RT EDGE PAVEMENT

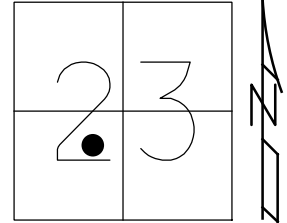
STATION: 547+60.68

HORIZ.DATUM: NAD83(2011)

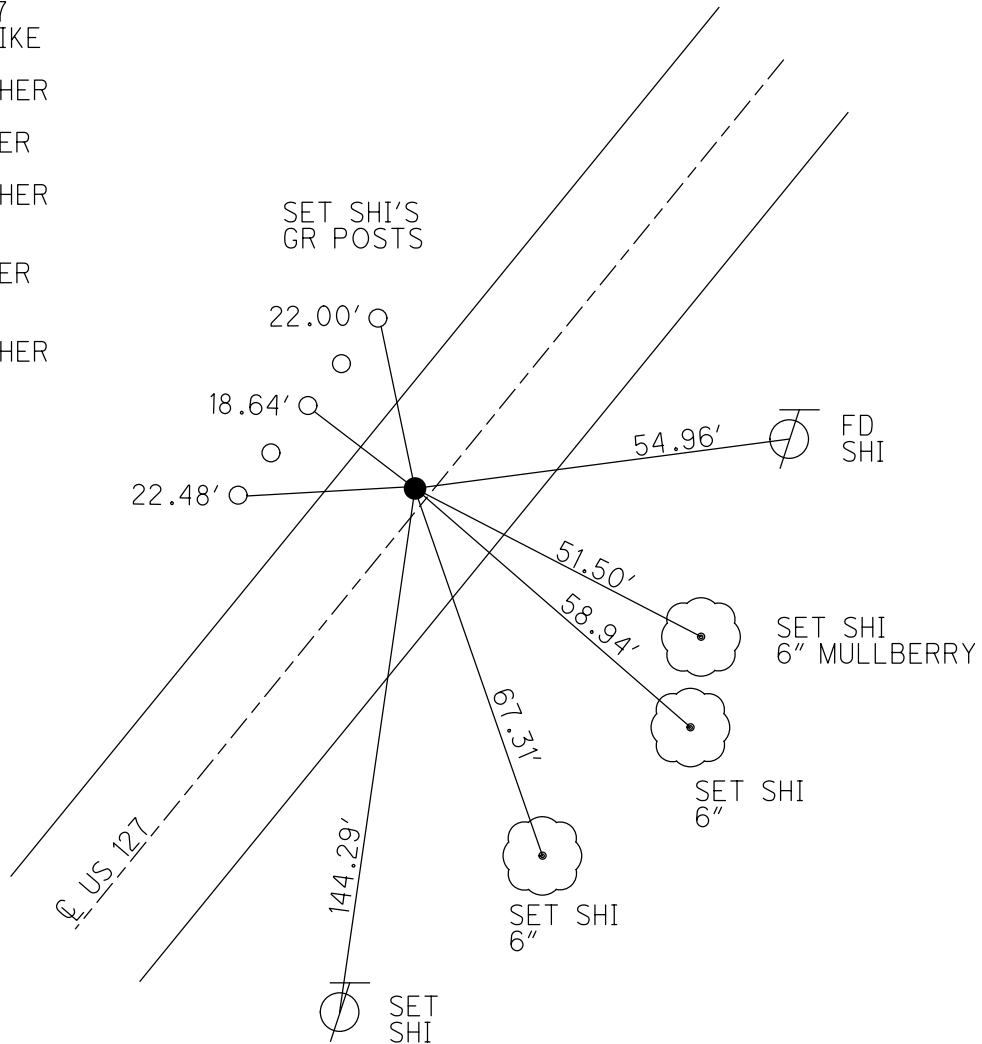
GEOID: 2012A

GRID: NORTHING: 691416.755

EASTING: 1423453.303



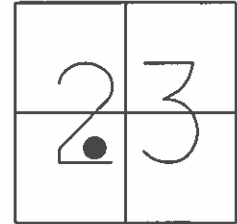
RECORD: C.S.
 STA. 535+41.7
 FD SM.R.R.SPIKE
 6/10/02, KPM
 SET MAG/WASHER
 9/15/03, MDB
 FD MAG/WASHER
 6/21/11
 SET MAG/WASHER
 FF30
 2/17/12, SAH
 FD MAG/WASHER
 REFF30
 6/8/17, JFO
 SET MAG/WASHER
 8/14/19, JFO



O.D.O.T. DISTRICT 2 SURVEY OFFICE (USE ONLY)

PERSONNEL	REFERENCE NO.	<u>30F</u>	SHEET	<u>41</u>	OF	<u>56</u>
NOTES <u>CHLEBECK</u>	DATE	<u>6/10/02</u>	ROUTE	<u>US 127</u>		
H.C. <u>MOSER</u>	WEATHER	<u>SUNNY</u>	COUNTY	<u>WILLIAMS</u>		
R.C. <u>SIEFRING</u>	TEMP.	<u>85°</u>	TOWNSHIP	<u>JEFFERSON</u>		
<u>BEAUMONT</u>			SECTION	<u>23</u>		
			T	<u>7</u>	N	R
				<u>3</u>	E	

TYPE MONUMENT P.K.NAIL
 ON SURFACE - BELOW ON
 LEFT - Q PAV'T - RIGHT 0.5'
12.0' TO RT EDGE PAVEMENT
 S.L.M. 533+81



Grid: Northing: 691416.737 Easting: 1423453.248

RECORD: C.S.
 STA. 535+41.7
 (OLD PLAN)
 SET MAG/WASHER
 9/15/03, MDB
 FD MAG/WASHER
 6/21/11
 SET MAG/WASHER
 GPS, FF30
 2/17/12, SAH

