

O.D.O.T. DISTRICT 2 SURVEY OFFICE (USE ONLY)

PERSONNEL _____ REFERENCE NO. 36 SHEET 51 OF 56
 NOTES RHOADES DATE 4/10/19 ROUTE US 127
 H.C. O'DONNELL WEATHER PTLY CLOUDY COUNTY WILLIAMS
 R.C. RHOADES TEMP. 40° TOWNSHIP JEFFERSON
 DWG BY NASON PID 102821 SECTION 13
 T 7 N R 3 E

TYPE MONUMENT MAG/WASHER

ON SURFACE - ~~BELOW~~ ON

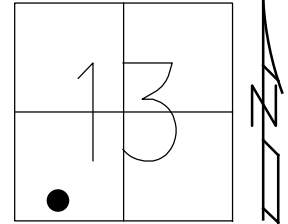
OFFSET Q PAVEMENT 8.4' LT : ~~RT~~

3.5' TO LT EDGE PAVEMENT

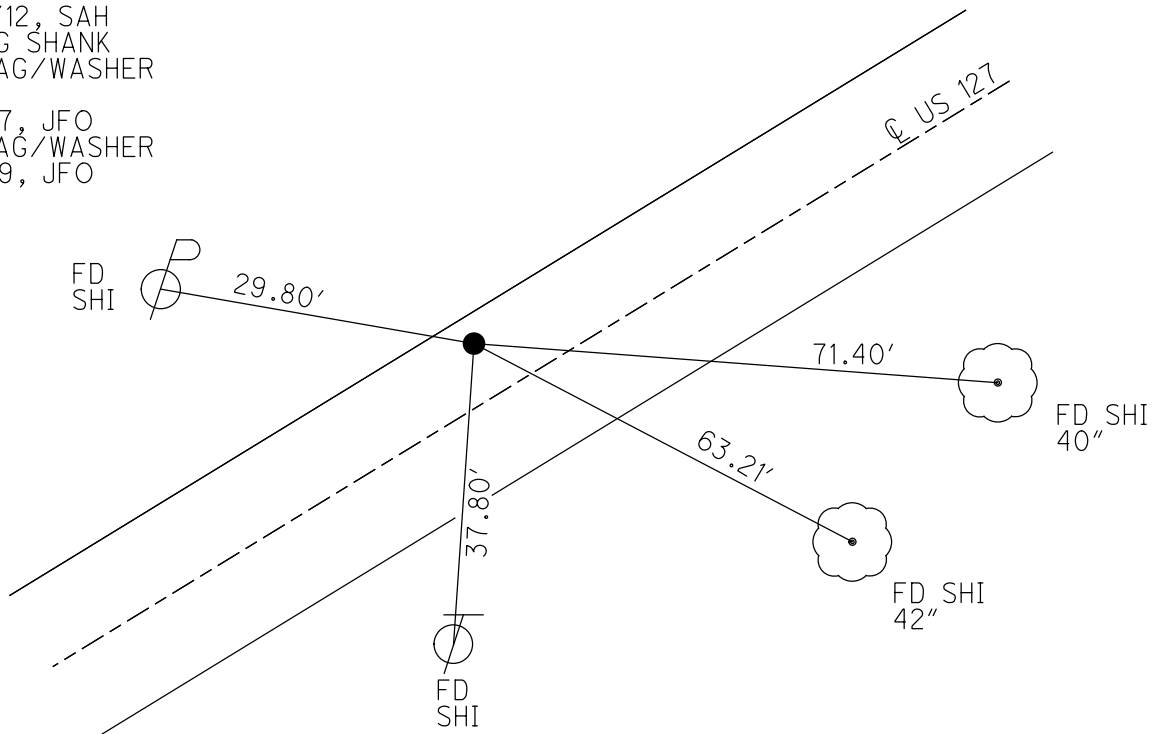
STATION: 612+40.93

HORZ. DATUM: NAD83(2011) GEOID: 2012A

GRID: NORTHING: 695461.783 EASTING: 1428487.585



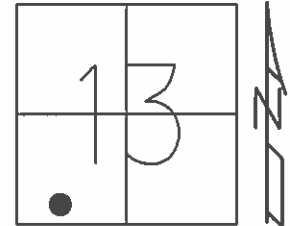
RECORD: P.I.
 FD LG.R.R.SPIKE
 6/10/02, MB
 SET MAG/WASHER
 9/15/03, MDB
 FD MAG/WASHER
 6/22/11
 SET MAG/WASHER
 F36
 12/23/12, SAH
 FD MAG SHANK
 SET MAG/WASHER
 REF36
 6/12/17, JFO
 SET MAG/WASHER
 8/15/19, JFO



O.D.O.T. DISTRICT 2 SURVEY OFFICE (USE ONLY)

PERSONNEL _____ REFERENCE NO. 36 SHEET 51 OF 56
 NOTES CHLEBECK DATE 6/10/02 ROUTE US 127
 H.C. MOSE WEATHER SUNNY COUNTY WILLIAMS
 R.C. SIEFRING TEMP. 85° TOWNSHIP JEFFERSON
BEAUMONT SECTION 13
 T 7 N R 3 E

TYPE MONUMENT LG.R.R.SPIKE
 ON SURFACE - ~~BELOW~~ ON _____
 LEFT - Q PAV'T - ~~RIGHT~~ 8.4'
2.0' TO LT EDGE PAVEMENT
 S.L.M. 598.62



Grid: Northing: 695461.797 Easting: 1428487.549

RECORD:
 SET MAG/WASHER
 9/15/03, MDB
 FD MAG/WASHER
 6/22/11
 SET MAG/WASHER
 GPS, F36
 12/23/12, SAH

