

O.D.O.T. DISTRICT 2 SURVEY OFFICE (USE ONLY)

PERSONNEL

REFERENCE NO. 37

SHEET 52 OF 56

NOTES RHOADES

DATE 4/10/19

ROUTE US 127

H.C. O'DONNELL

WEATHER PTLY CLOUDY

COUNTY WILLIAMS

R.C. RHOADES

TEMP. 40°

TOWNSHIP JEFFERSON

DWG BY NASON

PID 102821

SECTION 13

T 7 N R 3 E

TYPE MONUMENT 1/2" IPIN

ON ~~SURFACE~~ - BELOW 8"

OFFSET \odot PAVEMENT 14.2' ~~LT~~ : RT

2.8' RT TO RT EDGE PAVEMENT

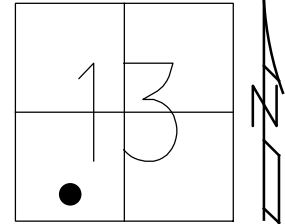
STATION: 618+36.90

HORZ.DATUM: NAD83(2011)

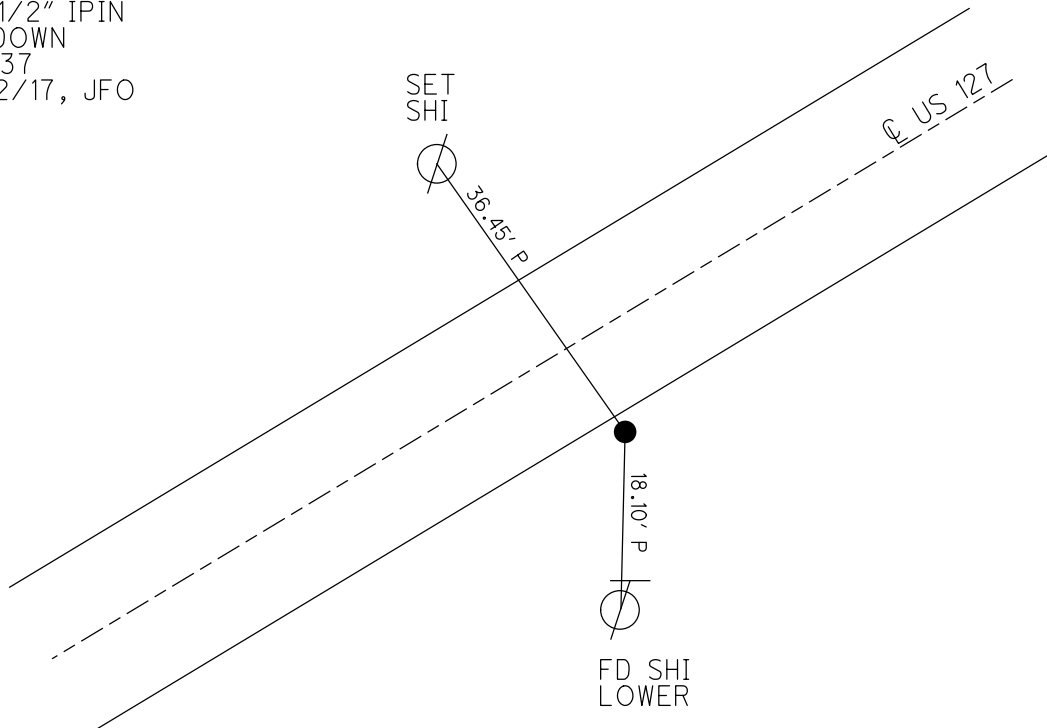
GEOID: 2012A

GRID: NORTHING: 695691.885

EASTING: 1429038.779



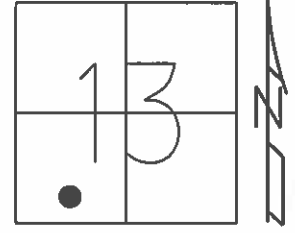
RECORD:
 FD 1/2" IPIN
 0.4' DOWN
 SV37
 6/10/02, KPM
 FD 1/2" IPIN
 8" DOWN
 REF37
 6/12/17, JFO



O.D.O.T. DISTRICT 2 SURVEY OFFICE (USE ONLY)

PERSONNEL _____ REFERENCE NO. 37 SHEET 52 OF 56
NOTES CHLEBECK DATE 6/10/02 ROUTE US 127
H.C. MOSER WEATHER SUNNY COUNTY WILLIAMS
R.C. SIEFRING TEMP. 85° TOWNSHIP JEFFERSON
BEAUMONT SECTION 13
T 7 N R 3 E

TYPE MONUMENT 1/2" IPIN
~~ON SURFACE~~ - BELOW 0.4'
~~LEFT~~ - Q PAV'T - RIGHT -
0.3' RT TO RT EDGE PAVEMENT
S.L.M. 604+58
Grid: Northing: 695691.920 Easting: 1429038.702



GPS, SV37

