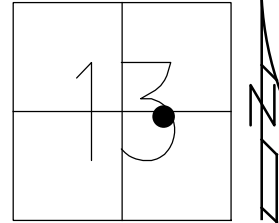


O.D.O.T. DISTRICT 2 SURVEY OFFICE (USE ONLY)

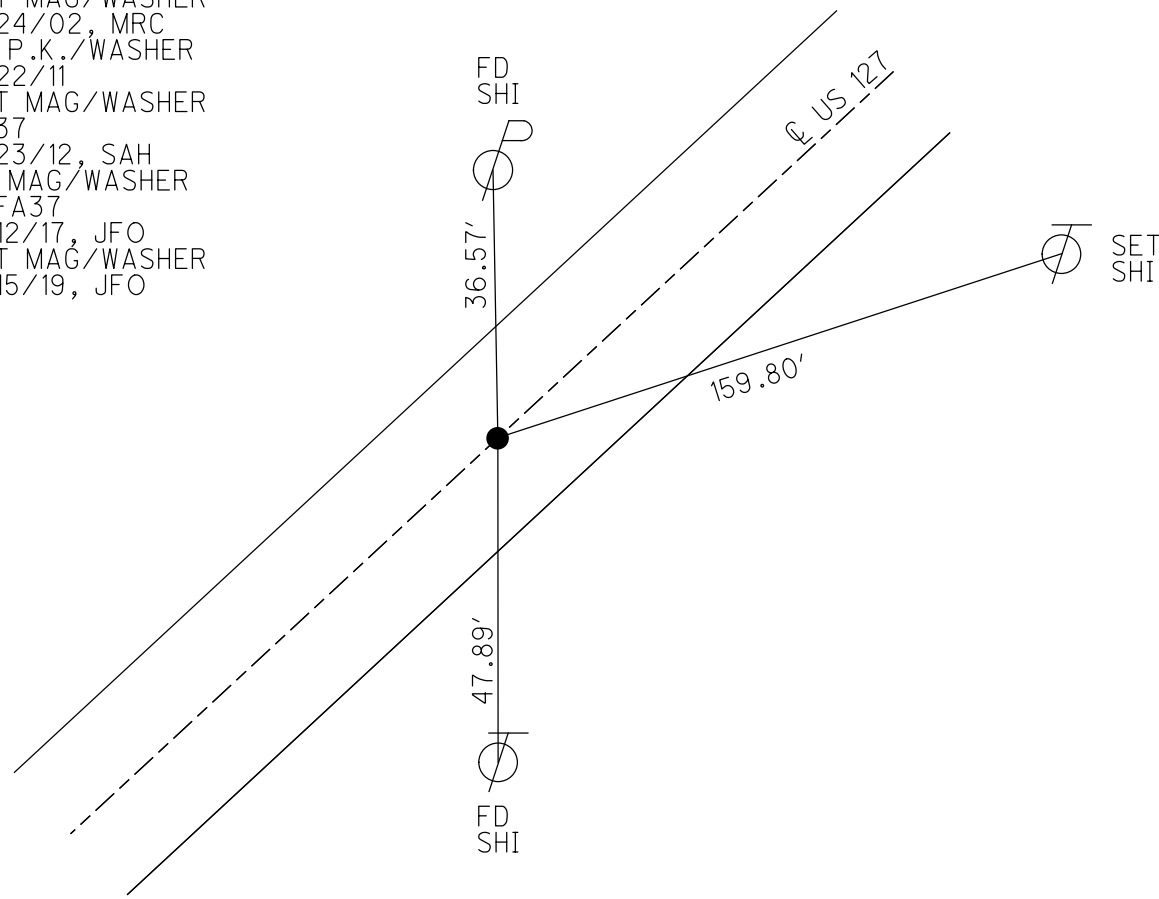
PERSONNEL _____ REFERENCE NO. 37 A SHEET 53 OF 56
 NOTES RHOADES DATE 4/10/19 ROUTE US 127
 H.C. O'DONNELL WEATHER PTLY CLOUDY COUNTY WILLIAMS
 R.C. RHOADES TEMP. 40° TOWNSHIP JEFFERSON
 DWG BY NASON PID 102821 SECTION 13
 T 7 N R 3 E

TYPE MONUMENT MAG/WASHER
 ON SURFACE - ~~BELOW~~ ON
 OFFSET Q PAVEMENT 0.6' LT : RT
10.4' TO RT EDGE PAVEMENT
 STATION: 645+34.40



HORZ.DATUM: NAD83(2011) GEOID: 2012A
 GRID: NORTHING: 697582.822 EASTING: 1430958.438

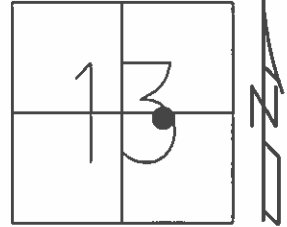
- RECORD:
 FD P.K.NAIL
 6/10/02, KPM
 SET MAG/WASHER
 9/24/02, MRC
 FD P.K./WASHER
 6/22/11
 SET MAG/WASHER
 FA37
 2/23/12, SAH
 FD MAG/WASHER
 REFA37
 6/12/17, JFO
 SET MAG/WASHER
 8/15/19, JFO



O.D.O.T. DISTRICT 2 SURVEY OFFICE (USE ONLY)

PERSONNEL _____ REFERENCE NO. 37 A SHEET 53 OF 56
 NOTES CHLEBECK DATE 6/10/02 ROUTE US 127
 H.C. MOSER WEATHER SUNNY COUNTY WILLIAMS
 R.C. SIEFRING TEMP. 85° TOWNSHIP JEFFERSON
BEAUMONT SECTION 13
 T 7 N R 3 E

TYPE MONUMENT P.K.NAIL
 ON SURFACE - ~~BELOW~~ ON
 LEFT - ☉ PAV'T - RIGHT ON
10.4' TO RT EDGE PAVEMENT
 S.L.M. 631+56
 Grid: Northing: 697582.844 Easting: 1430958.364



RECORD:
 SET MAG/WASHER
 9/24/02, MRC
 FD P.K./WASHER
 6/22/11
 SET MAG/WASHER
 GPS, FA37
 2/23/12, SAH

