

O.D.O.T. DISTRICT 2 SURVEY OFFICE (USE ONLY)

PERSONNEL

REFERENCE NO. 38

SHEET 56 OF 56

NOTES RHOADES

DATE 4/10/19

ROUTE US 127

H.C. O'DONNELL

WEATHER PTLY CLOUDY

COUNTY WILLIAMS

R.C. RHOADES

TEMP. 40°

TOWNSHIP JEFFERSON

DWG BY NASON

PID 102821

SECTION 13

T 7 N R 3 E

TYPE MONUMENT MAG/WASHER

ON SURFACE - ~~BELOW~~ ON

OFFSET ☉ PAVEMENT 1.0' ~~LT~~ : RT

9.9' TO RT EDGE PAVEMENT

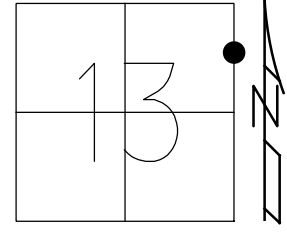
STATION: 666+06.97

HORZ. DATUM: NAD83(2011)

GEOID: 2012A

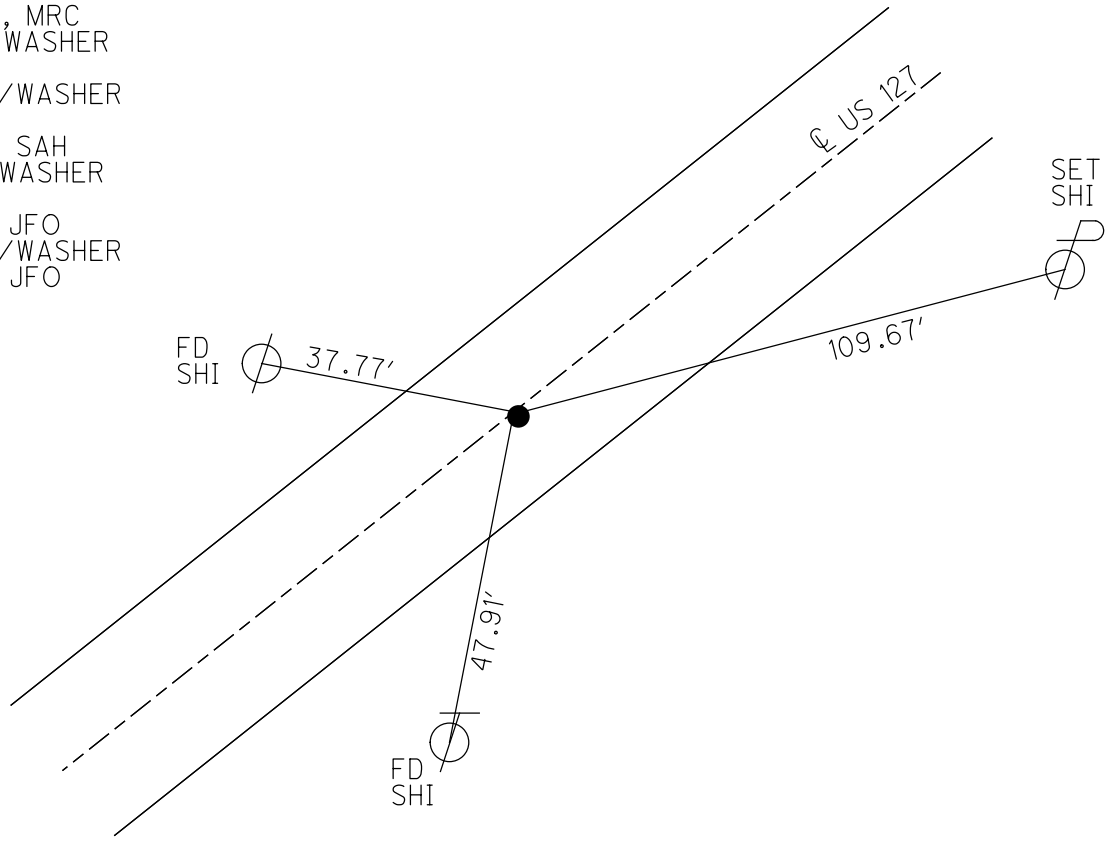
GRID: NORTHING: 698928.813

EASTING: 1432527.109



RECORD:

- FD MAG NAIL
- 6/11/02, KPM
- SET P.K./WASHER
- 9/24/02, MRC
- FD P.K./WASHER
- 6/22/11
- SET MAG/WASHER
- F38
- 2/23/12, SAH
- FD MAG/WASHER
- REF38
- 6/12/17, JFO
- SET MAG/WASHER
- 8/15/19, JFO



O.D.O.T. DISTRICT 2 SURVEY OFFICE (USE ONLY)

PERSONNEL _____ REFERENCE NO. 38 SHEET 56 OF 56
 NOTES CHLEBECK DATE 6/11/02 ROUTE US 127
 H.C. MOSER WEATHER SUNNY COUNTY WILLIAMS
 R.C. SIEFRING TEMP. 75° TOWNSHIP JEFFERSON
 _____ BEAUMONT SECTION 13
 T 7 N R 3 E

TYPE MONUMENT MAG NAIL

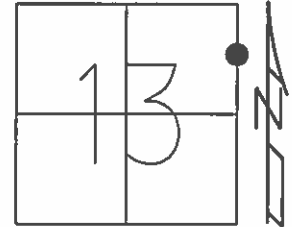
ON SURFACE - ~~BELOW~~ ON

~~LEFT~~ - ☉ PAV'T - RIGHT 1.0'

9.9' TO RT EDGE PAVEMENT

S.L.M. 652+30

Grid: Northing: 698928.810 Easting: 1432527.062



RECORD:
 SET P.K./WASHER
 9/24/02, MRC
 FD P.K./WASHER
 6/22/11
 SET MAG/WASHER
 GPS, F38
 2/23/12, SAH

