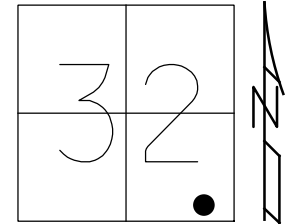


O.D.O.T. DISTRICT 2 SURVEY OFFICE (USE ONLY)

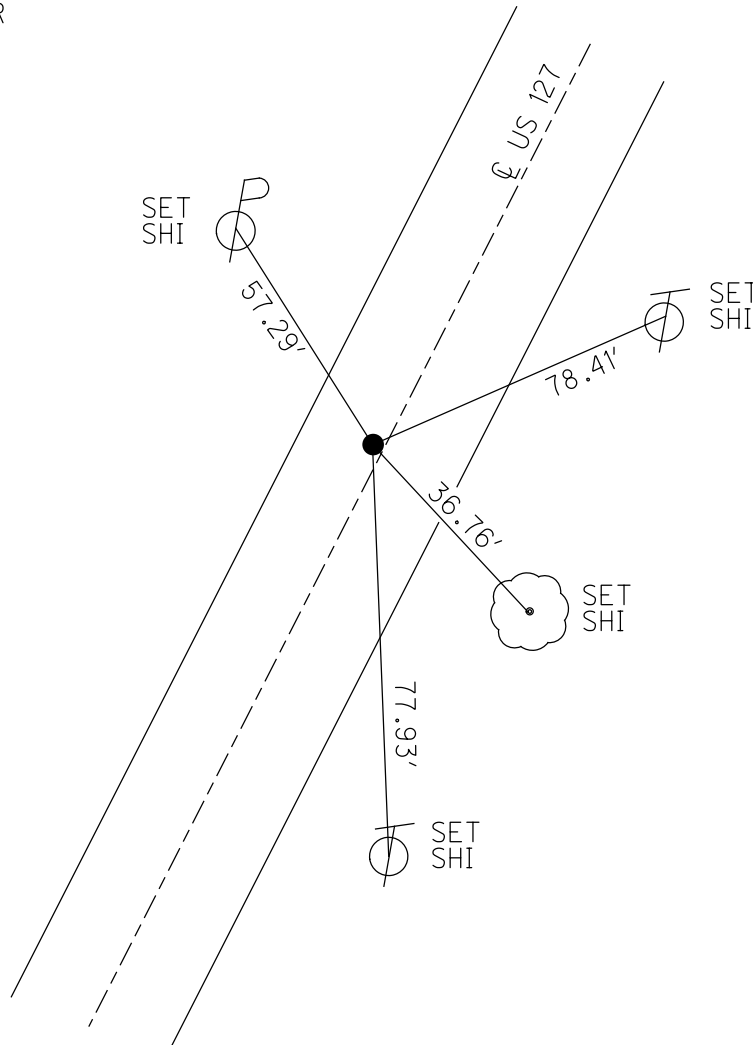
PERSONNEL _____ REFERENCE NO. 31B SHEET 3 OF 32
 NOTES ROUSOS DATE 6/20/11 ROUTE US 127
 H.C. HARBUAGH WEATHER CLOUDY COUNTY WILLIAMS
 R.C. HOMAN TEMP. 72° TOWNSHIP BRADY
 _____ SECTION 32
 DWG BY MILLER PID 95864 T 8 N R 4 E

TYPE MONUMENT P.K.NAIL
 ON SURFACE - ~~BELOW~~ ON _____
 OFFSET ☐ PAVEMENT 2.5' LT : ~~RT~~
 _____ TO _____ EDGE PAVEMENT
 STATION: 834+27.33

HORZ.DATUM: NAD83 (2011) GEOID: GEOID 2012A
 GRID: NORTHING: 711295.191 EASTING: 1442817.569



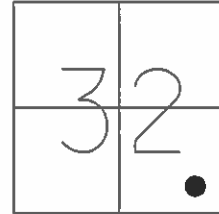
RECORD: P.O.T.
 FD 5/8" PIPE
 SET P.K./WASHER
 3/30/92
 FD PK/WASHER
 6/20/11, DCH
 SET MAG/WASHER
 GPS, NEWREF109
 9/12/11, DCH
 FD MAG/WASHER
 REFB31
 9/6/16, JLL



O.D.O.T. DISTRICT 2 SURVEY OFFICE (USE ONLY)

PERSONNEL _____ REFERENCE NO. 31 B SHEET 3 OF 31
 NOTES ROUSOS DATE 6/20/11 ROUTE US 127
 H.C. HARBUAGH WEATHER CLOUDY COUNTY WILLIAMS
 R.C. HOMAN TEMP. 72° F TOWNSHIP BRADY
 _____ SECTION 32
 _____ T 8 N R 4 E

TYPE MONUMENT P.K.NAIL
 ON SURFACE - ~~BELOW~~ ON
 LEFT - Q PAV'T - ~~RIGHT~~ 2.5'
TO EDGE PAVEMENT
 S.L.M. 834+27.33



GRID: NORTHING: 711254.394 EASTING: 1442734.581

RECORD: P.O.T.
 FD 5/8" PIPE

SET P.K./WASHER
 3/30/92

SET MAG/WASHER
 GPS, NEWREF109
 9/12/11, DCH

