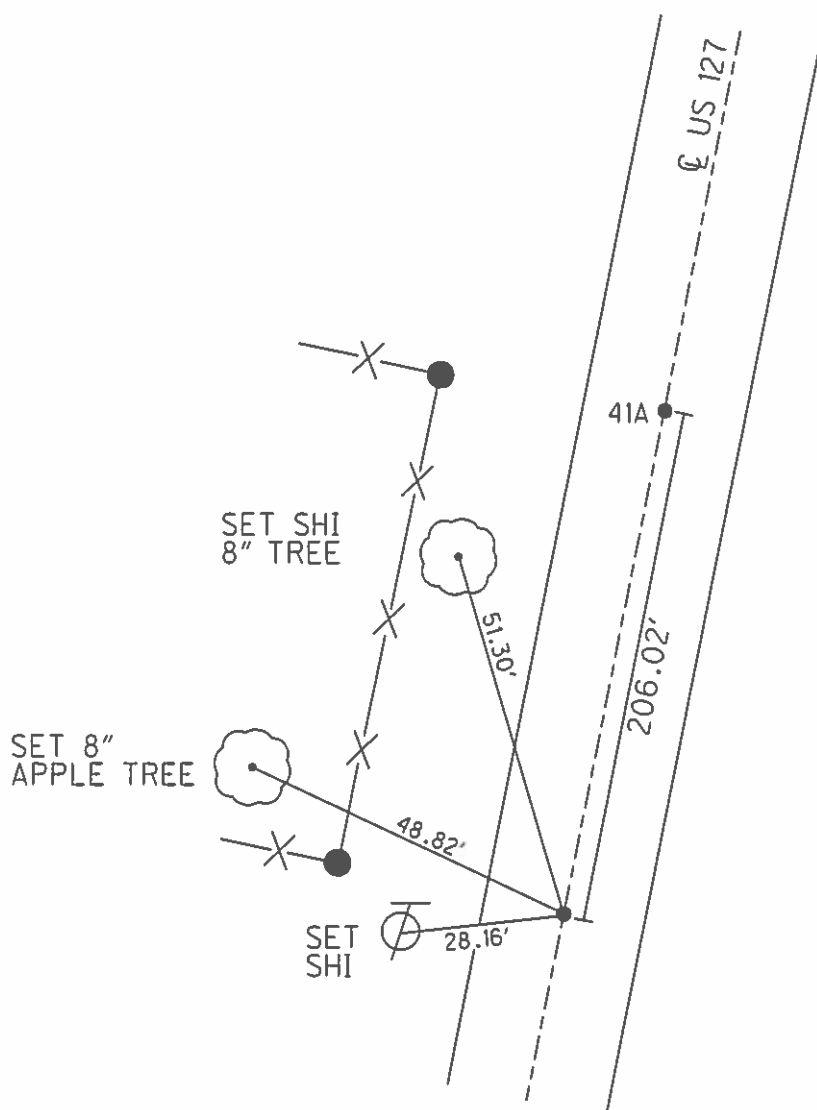
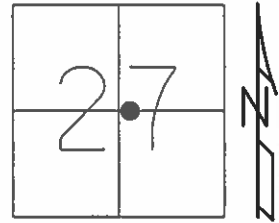


O.D.O.T. DISTRICT 2 SURVEY OFFICE (USE ONLY)

PERSONNEL \_\_\_\_\_ REFERENCE NO. 41 SHEET 26 OF 31  
 NOTES ROUSOS DATE 6/23/11 ROUTE US 127  
 H.C. HARBUAGH WEATHER OVERCAST COUNTY WILLIAMS  
 R.C. HOMAN TEMP. 70° F TOWNSHIP MILLCREEK  
 \_\_\_\_\_ SECTION 27  
 T 10 S R 1 W

TYPE MONUMENT SM.R.R.SPIKE  
~~ON SURFACE~~ - BELOW 1.5"  
 LEFT - Q PAV'T - RIGHT ON  
- TO - EDGE PAVEMENT  
 S.L.M. 1041+48.80

GRID: NORTHING: 731465.437 EASTING: 1447073.600



RECORD: P.I.  
 STA. 245+03±  
 1/4 SEC. LINE SEC. 27  
 FD 3/4" IPIPE  
 1/2" BELOW SURFACE  
 FD SM.R.R.SPIKE  
 7/22/91  
 SET P.K./WASHER  
 3/30/92  
 FD SM.R.R.SPIKE  
 6/23/11  
 SET MAG/WASHER  
 GPS, NEWREF132  
 9/26/11, DCH