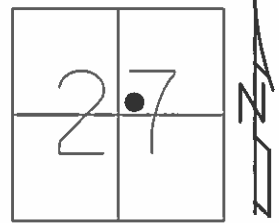


O.D.O.T. DISTRICT 2 SURVEY OFFICE (USE ONLY)

PERSONNEL _____ REFERENCE NO. 41 B SHEET 28 OF 31
 NOTES ROUSOS DATE 6/23/11 ROUTE US 127
 H.C. HARBUAGH WEATHER OVERCAST COUNTY WILLIAMS
 R.C. HOMAN TEMP. 73°F TOWNSHIP MILLCREEK
 _____ SECTION 27
 _____ T 10 S R 1 W

TYPE MONUMENT SM.R.R.SPIKE
~~ON SURFACE~~ - BELOW 2"
~~LEFT~~ - Q PAV'T - RIGHT 3.9'
 - TO - EDGE PAVEMENT
 S.L.M. 1045+11.01



GRID: NORTHING: 731820.623 EASTING: 1447144.544

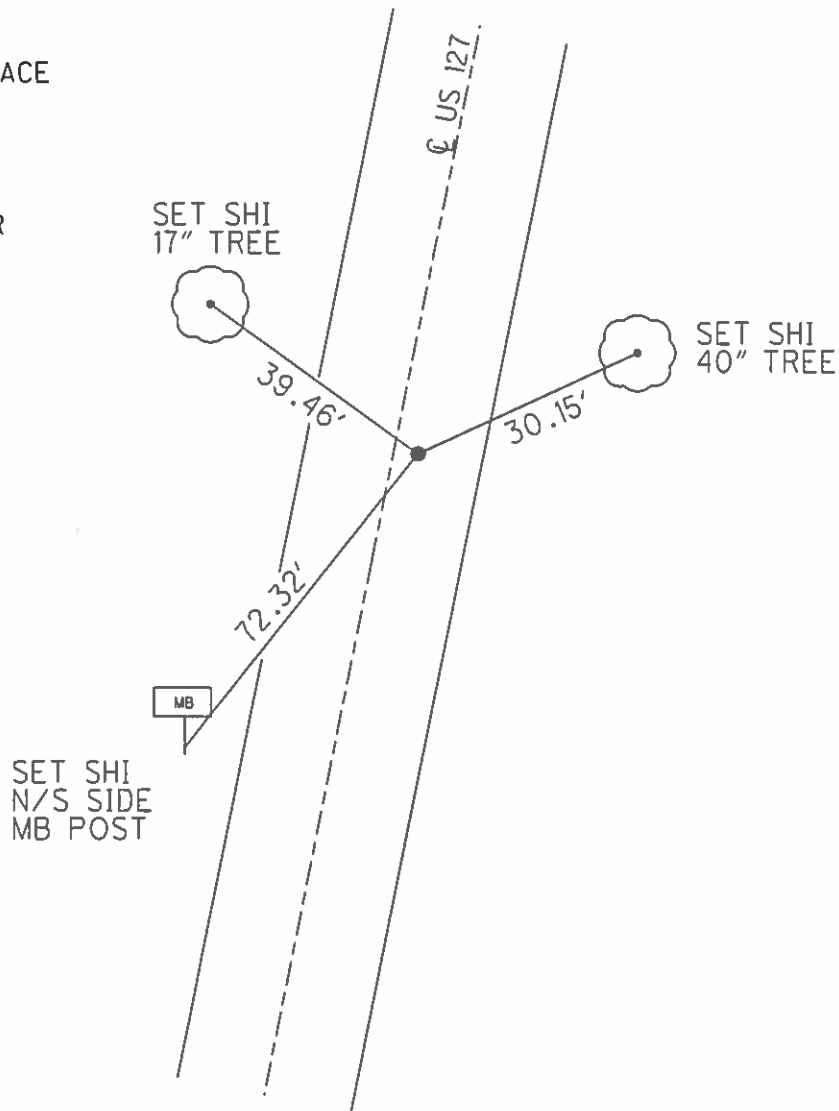
RECORD:
 FD 3/4" IPIPE
 1/2" BELOW SURFACE
 ORIGIN UNKNOWN

FD SM.R.R.SPIKE
 7/22/91

SET P.K./WASHER
 3/30/92

FD SM.R.R.SPIKE
 6/23/11

SET MAG/WASHER
 GPS, NEWREF134
 9/26/11, DCH



SET SHI
 N/S SIDE
 MB POST