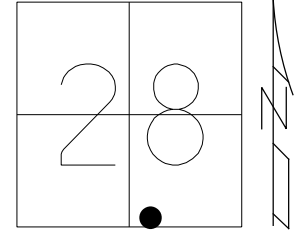


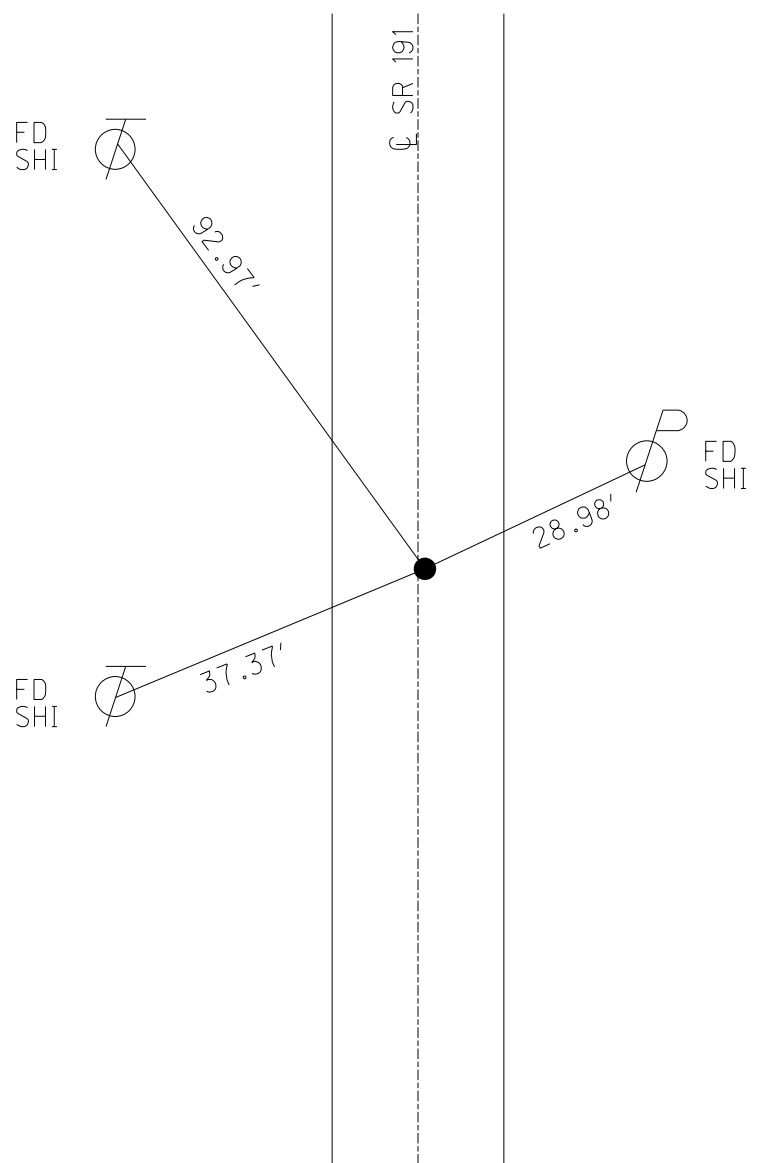
O.D.O.T. DISTRICT 2 SURVEY OFFICE (USE ONLY)

PERSONNEL _____ REFERENCE NO. 1 SHEET 2 OF 34
 NOTES ASTON DATE 3-29-24 ROUTE SR 191
 H.C. RHOADES WEATHER SUNNY COUNTY WILLIAMS
 R.C. ASTON TEMP. 46° TOWNSHIP SPRINGFIEND
 DWG BY RHOADES PID PAVETRAIN SECTION 28
 T 6 N R 4 E

TYPE MONUMENT MAG/WASHER
 ON SURFACE - ~~BELOW~~ ON
 OFFSET \varnothing PAVEMENT 0.8' ~~±~~ : RT
10' TO RT EDGE PAVEMENT
 STATION: 4+18



HORIZ.DATUM: NAD83 2011 GEOID: NAVD88 2018
 GRID: NORTHING: 652906.276 EASTING: 1445832.566



RECORD:
 SET MAG/WASHER
 REF1
 6/22/22, TDN
 FD MAG/WASHER
 2/2/23, JMR
 FD MAG/W
 3-29-24, JMR

O.D.O.T. DISTRICT 2 SURVEY OFFICE (USE ONLY)

PERSONNEL

REFERENCE NO. 1

SHEET 2 OF 34

NOTES RHOADES

DATE 6/22/22

ROUTE SR 191

H.C. NIESE

WEATHER SUNNY

COUNTY WILLIAMS

R.C. WHITAKER

TEMP. 83°

TOWNSHIP SPRINGFIEND

DWG BY RHOADES

PID PAVETRAIN

SECTION 28

T 6 N R 4 E

TYPE MONUMENT MAG/WASHER

ON SURFACE - ~~BELOW~~ ON

OFFSET \varnothing PAVEMENT 0.8' ~~LT~~ : RT

10' TO RT EDGE PAVEMENT

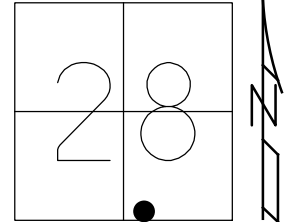
STATION: 4+18

HORIZ.DATUM: NAD83 2011

GEOID: NAVD88 2018

GRID: NORTHING: 652906.276

EASTING: 1445832.566



FD
SHI



92.97'

\varnothing SR 191

RECORD:
SET MAG/WASHER
REF1
6/22/22, TDN
FD MAG/WASHER
2/2/23, JMR

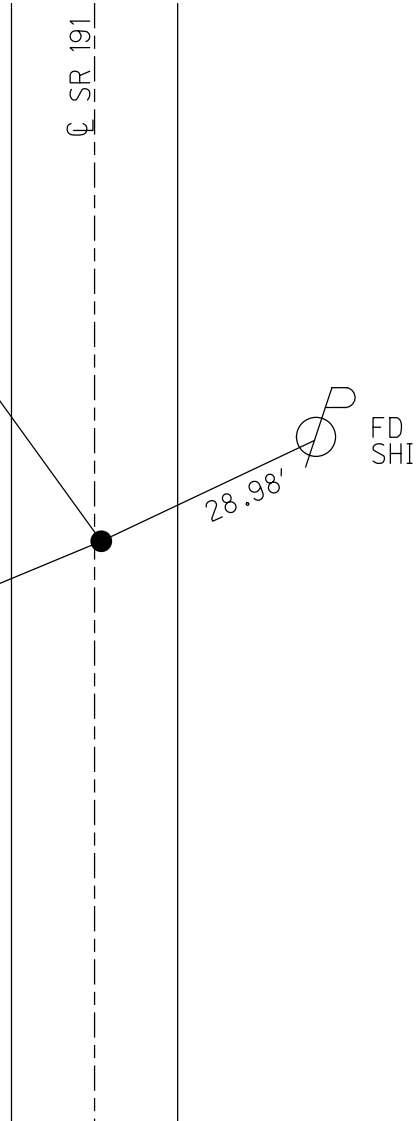
FD
SHI

28.98'

FD
SHI



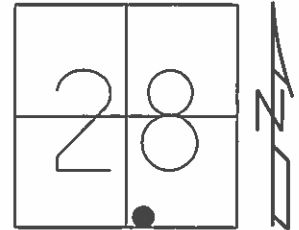
37.37'



O.D.O.T. DISTRICT 2 SURVEY OFFICE (USE ONLY)

PERSONNEL _____ REFERENCE NO. 1 SHEET 2 OF 34
NOTES _____ DATE 4/18/06 ROUTE SR 191
H.C. MIKLOVIC WEATHER SUNNY COUNTY WILLIAMS
R.C. HANKE TEMP. 57° TOWNSHIP SPRINGFIELD
SECTION 28
T 6 N R 4 E

TYPE MONUMENT _____ P.K.NAIL _____
~~ON SURFACE~~ - BELOW 0.2'
~~LEFT~~ - CL PAV'T - RIGHT 0.2'
10.0' TO RT. EDGE PAVEMENT
S.L.M. 4+18



GRID: NORTHING: _____ - _____ EASTING: _____ - _____

