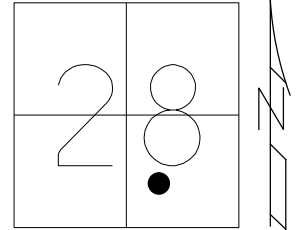


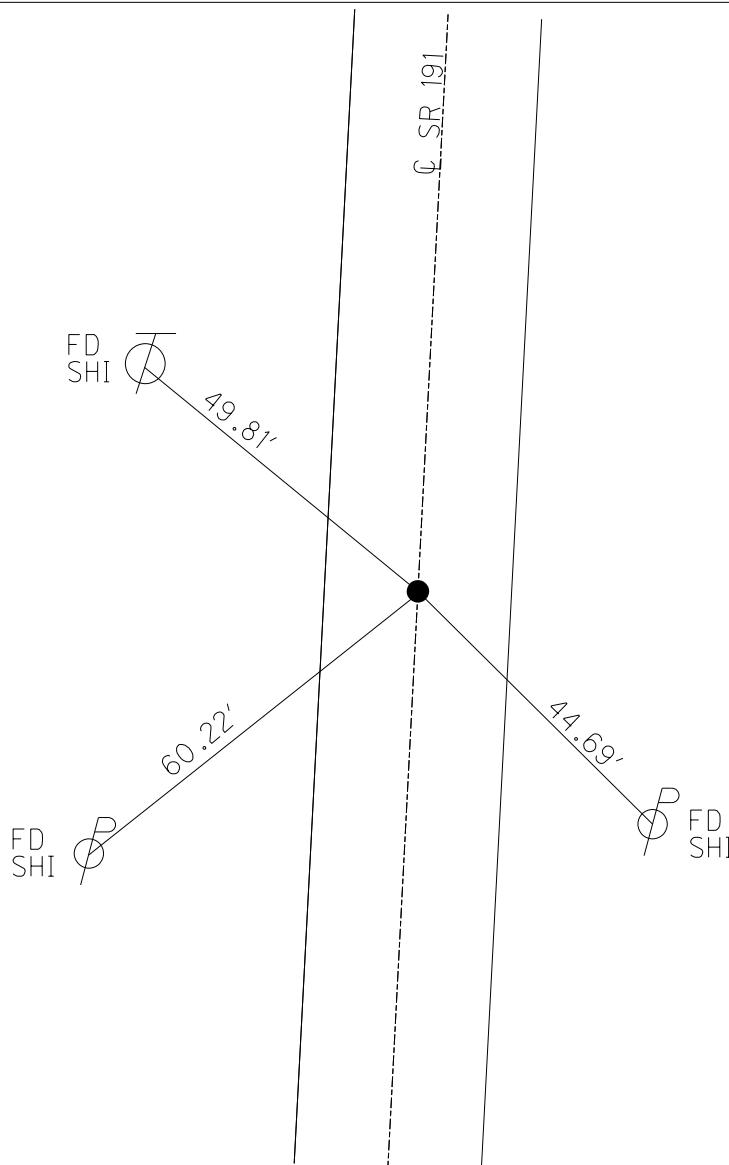
O.D.O.T. DISTRICT 2 SURVEY OFFICE (USE ONLY)

PERSONNEL _____ REFERENCE NO. 2 SHEET 3 OF 34
 NOTES ASTON DATE 3-29-24 ROUTE SR 191
 H.C. RHOADES WEATHER SUNNY COUNTY WILLIAMS
 R.C. ASTON TEMP. 46° TOWNSHIP SPRINGFIEND
 SECTION 28
 DWG BY RHOADES PID PAVETRAIN T 6 N R 4 E

TYPE MONUMENT MAG/WASHER
 ON SURFACE - ~~BELOW~~ ON
 OFFSET C PAVEMENT ON LT : RT
10.4' TO LT EDGE PAVEMENT
 STATION: 13+31.9



HORIZ.DATUM: NAD83 2011 GEOID: NAVD88 2018
 GRID: NORTHING: 653821.690 EASTING: 1445890.441

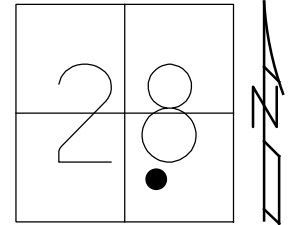


RECORD: P.I.
 C SURVEY 6/1972
 $\Delta = 0^\circ 7' \text{ RT}$
 FD P.K.SHANK
 2" DOWN
 6/25/84, CL
 FD P.K.NAIL
 10/3/88, IS
 SET P.K.NAIL
 11/27/89, DJC
 FD P.K.NAIL
 4/18/06, RGN
 FD P.K./WASHER
 6/24/11, MC
 SET MAG/WASHER
 2/3/12
 SV2
 2/6/12, SAH
 FD MAG/WASHER
 REF2
 6/22/22, TDN
 2/2/23, JMR
 FD MAG/W
 3-29-24, JMR

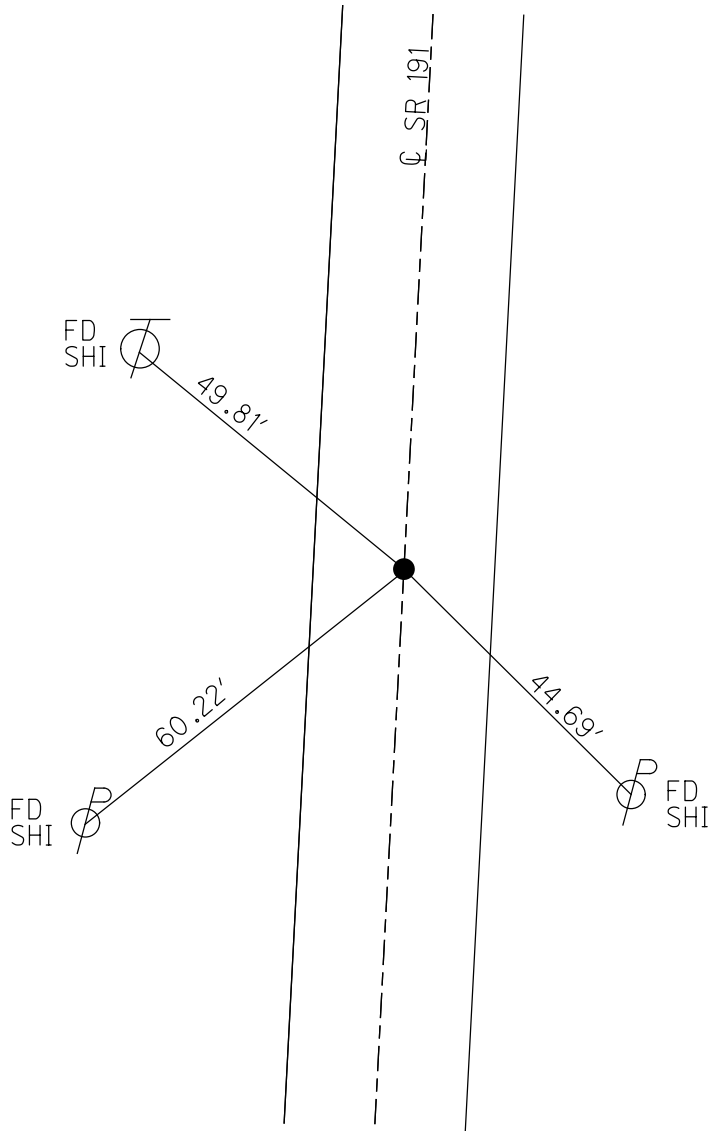
O.D.O.T. DISTRICT 2 SURVEY OFFICE (USE ONLY)

PERSONNEL _____ REFERENCE NO. 2 SHEET 3 OF 34
 NOTES RHOADES DATE 6/22/22 ROUTE SR 191
 H.C. NIESE WEATHER SUNNY COUNTY WILLIAMS
 R.C. WHITAKER TEMP. 83° TOWNSHIP SPRINGFIEND
 DWG BY RHOADES PID PAVETRAIN SECTION 28
 T 6 N R 4 E

TYPE MONUMENT MAG/WASHER
 ON SURFACE - ~~BELOW~~ ON
 OFFSET Q PAVEMENT ON LT : RT
10.4' TO LT EDGE PAVEMENT
 STATION: 13+31.9



HORZ. DATUM: NAD83 2011 GEOID: NAVD88 2018
 GRID: NORTHING: 653821.690 EASTING: 1445890.441

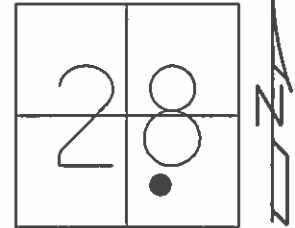


RECORD: P.I.
 Q SURVEY 6/1972
 $\Delta = 0^\circ 7' RT$
 FD P.K. SHANK
 2" DOWN
 6/25/84, CL
 FD P.K. NAIL
 10/3/88, IS
 SET P.K. NAIL
 11/27/89, DJC
 FD P.K. NAIL
 4/18/06, RGN
 FD P.K. / WASHER
 6/24/11, MC
 SET MAG/WASHER
 2/3/12
 SV2
 2/6/12, SAH
 FD MAG/WASHER
 REF2
 6/22/22, TDN
 2/2/23, JMR

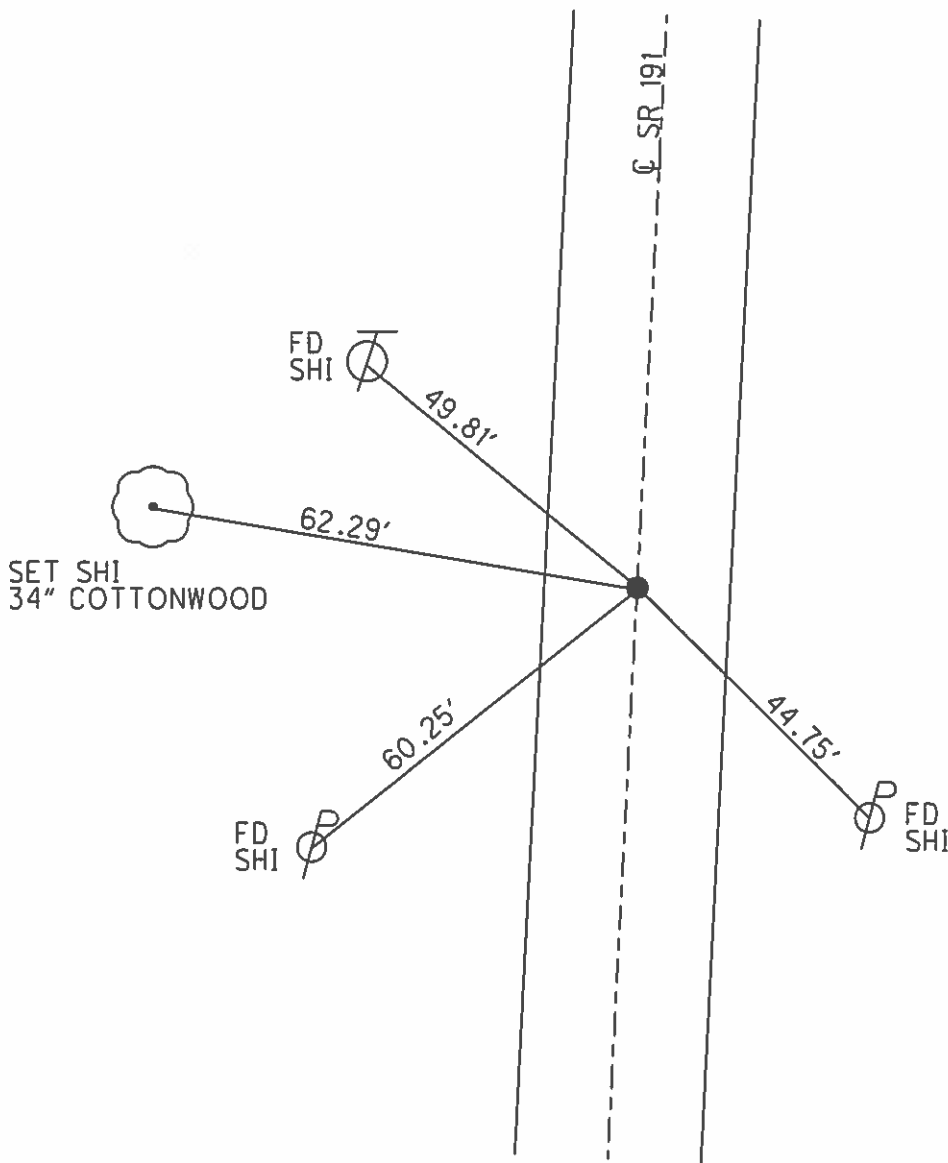
O.D.O.T. DISTRICT 2 SURVEY OFFICE (USE ONLY)

PERSONNEL _____ REFERENCE NO. 2 SHEET 3 OF 34
 NOTES CANTERBURY DATE 6/24/11 ROUTE SR 191
 H.C. HUSS WEATHER PTLY.CLOUDY COUNTY WILLIAMS
 R.C. FINGER TEMP. 66° TOWNSHIP SPRINGFIELD
 _____ SECTION 28
 _____ T 6 N R 4 E

TYPE MONUMENT P.K./WASHER
 ON SURFACE - ~~BELOW~~ ON _____
 LEFT - ☉ PAV'T - RIGHT ON _____
10.4' TOLT EDGE PAVEMENT
 S.L.M. 13+31.9



GRID: NORTHING: 653821.634 EASTING: 1445890.406



RECORD: P.I.
 ☉ SURVEY 6/1972
 $\Delta = 0^{\circ} 7' RT$
 FD P.K.SHANK
 2" DOWN
 6/25/84, CL
 FD P.K.NAIL
 10/3/88, IS
 SET P.K.NAIL
 11/27/89, DJC
 FD P.K.NAIL
 4/18/06, RGN
 FD P.K./WASHER
 6/24/11, MC
 SET MAG/WASHER
 2/3/12
 GPS, SV2
 2/6/12, SAH

O.D.O.T. DISTRICT 2 SURVEY OFFICE

PERSONNEL

REFERENCE NO. 2

SHEET 1 OF 7

NOTES L. Stone

H.C. D. Curtis

R.C. J. Householder

DATE 3 Oct. 88

WEATHER Fair

TEMP. 58°

ROUTE SR #191

COUNTY Williams

TOWNSHIP Springfield

SECTION 28

T R

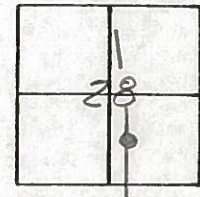
TYPE MONUMENT PK Nail

ON SURFACE - BELOW Surface

LEFT - & PAW'T. - RIGHT

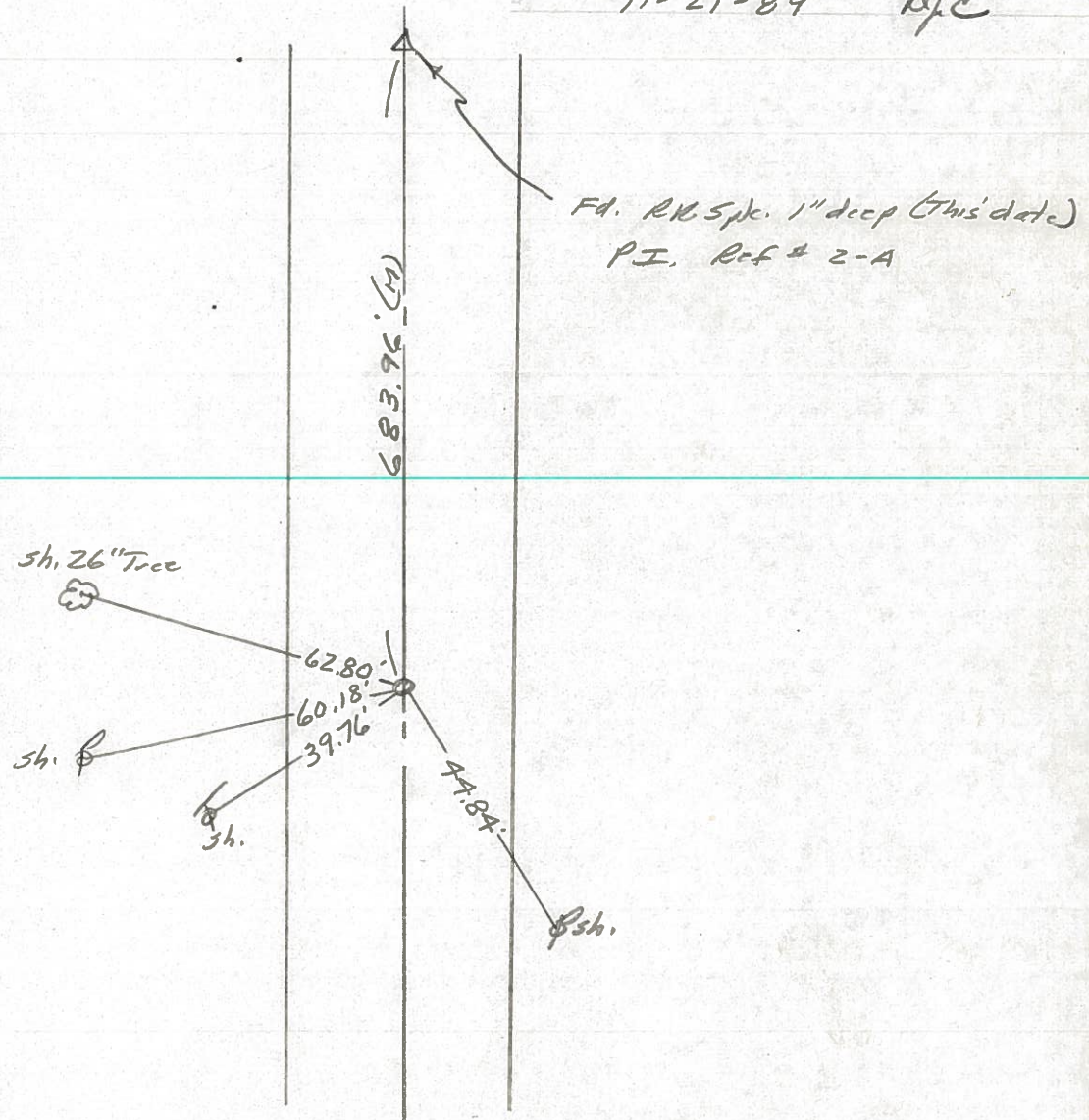
 TO EDGE PAVEMENT

S.L.M. 13 + 35.5



SET P.K. NAIL TO SURFACE

11-27-89 R/C



County Williams S.R. 191

Date 6-25-84

Township SPRINGFIELD

Weather CLEAR

Section 28

Temp. 80°

T6N, R4E

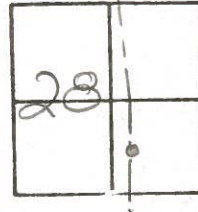
Personnel HOFFMAN

LOEHRKE

HOUSEHOLDER

BARNHISEL

2



FD P.K. SHANK 2" Below Surface
Re-set P.K. @ surface

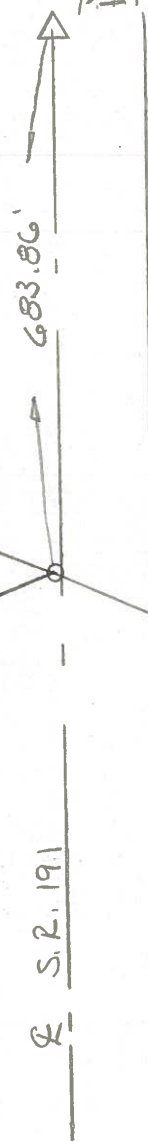
SLM = 13 + 31.90

OX & PAUT
9.9' TO LT. EP
9.2' TO RT. EP

P.I. $\Delta \alpha = 12^{\circ}-00'-40''$ LT.

P.I. ESTABLISHED FROM SURVEY
OF 6-1972
 $\Delta = 0^{\circ}-07'$ RT

Set shi S/E/S
20" COTTONWOOD
62.86



P.I. $\Delta \alpha = 0^{\circ}-07'-00''$ RT.

60.16
P
Set shi
NE/S

44.95
P
Set shi
NW/S

S.R. 191

County Williams S.R. 191

Date 6-25-84

Township SPRINGFIELD

Weather CLEAR

Section 28

Temp. 50°

T6N, R4E

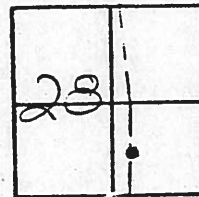
Personnel HOFFMAN

LOEHRKE

HOUSEHOLDER

BARNHISEL

2



FD P.K. SHANK 2" Below SURFACE
Re-set P.K. @ SURFACE

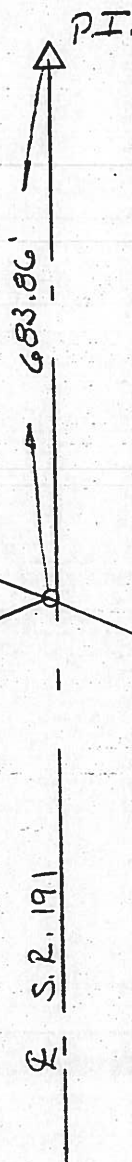
SLM = 13 + 31.90

OXI & PAUT
9.9' TO LT. CP
9.2' TO RT. CP

$\Delta \angle = 12^{\circ}-00'-40''$ LT.

P.I. ESTABLISHED FROM SURVEY
of 6-1972
 $\Delta = 0^{\circ}-07'$ RT

Set shi S/E/S
26" COTTONWOOD 62.86



P.I. $\Delta \angle = 0^{\circ}-07'-00''$ RT.

Set shi NE/S 60.16

44.95

Set shi NW/S

PERSONNEL	TITLE	PERSONNEL	TITLE
Hoffman			
Loehrer	T		
Householder			
Barathiel			

COUNTY Williams DATE June 25, 89
 S. R. 191 WEATHER Clear
 SEC. 00.45 TEMP. +80°

DESCRIPTION ESTABLISH P.I. JOB NO.

