

O.D.O.T. DISTRICT 2 SURVEY OFFICE (USE ONLY)

PERSONNEL

REFERENCE NO. 2 A

SHEET 4 OF 34

NOTES ASTON

DATE 3-29-24

ROUTE SR 191

H.C. RHOADES

WEATHER SUNNY

COUNTY WILLIAMS

R.C. ASTON

TEMP. 46°

TOWNSHIP SPRINGFIEND

SECTION 28

DWG BY RHOADES PID PAVETRAIN

T 6 N R 4 E

TYPE MONUMENT MAG SHANK

ON SURFACE - ~~BELOW~~ ON

OFFSET Q PAVEMENT 8.2' ~~TT~~ : RT

2.1' TO RT EDGE PAVEMENT

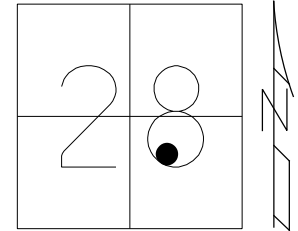
STATION: 20+15.86

HORZ. DATUM: NAD83 2011

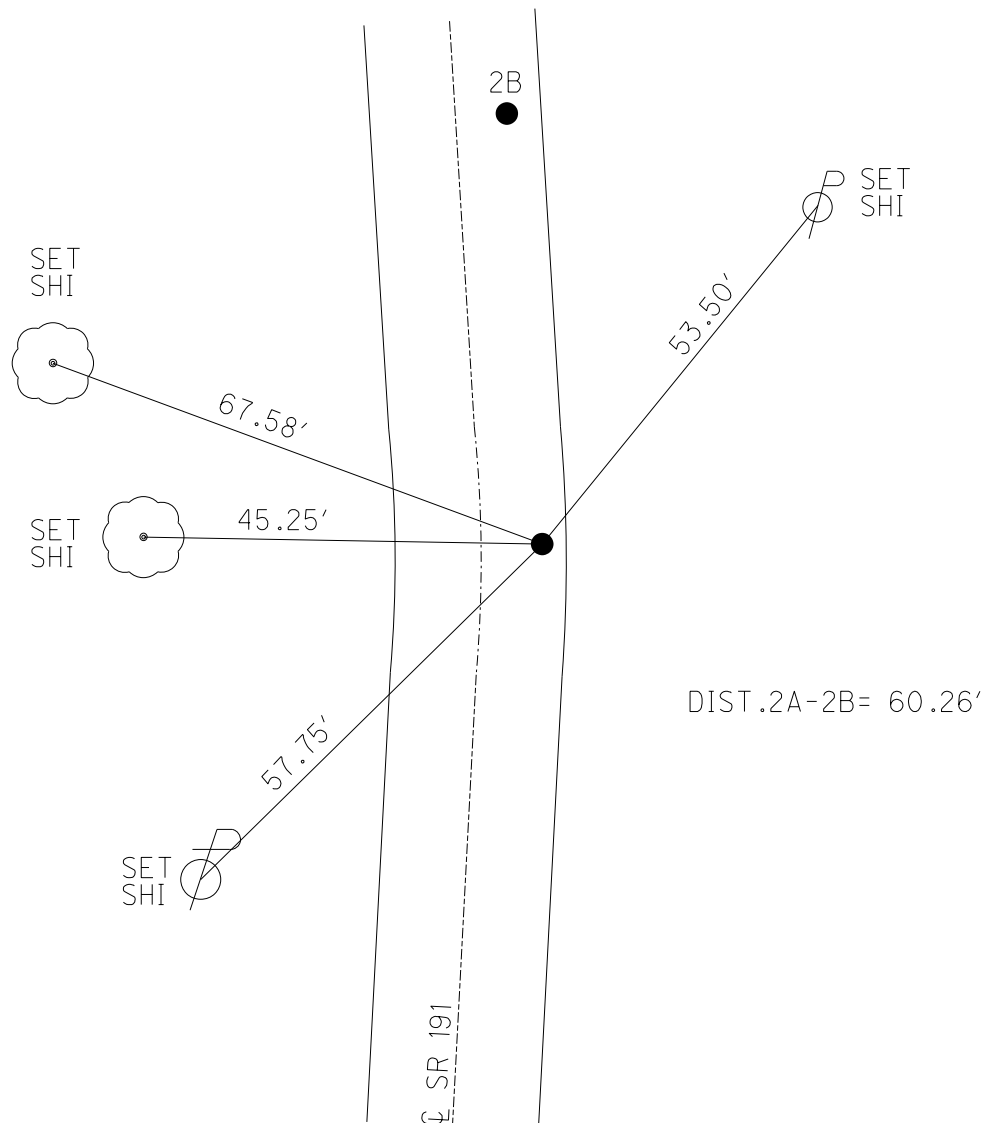
GEOID: NAVD88 2018

GRID: NORTHING: 654503.903

EASTING: 1445938.076



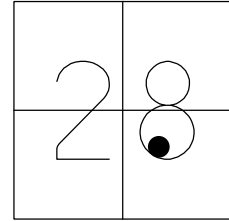
RECORD: P.I.
 $\Delta = 12^{\circ}00'40''$ LT
 SET R.R.SPIKE
 6/25/84, CL
 FD R.R.SPIKE
 10/3/88, IS
 SET R.R.SPIKE
 11/27/89, DJC
 FD R.R.SPIKE
 12/2/04, SAH
 4/18/06, RGN
 6/24/11, MC
 SET MAG/WASHER
 SVA2
 2/6/12, SAH
 FD MAG SHANK
 REFA2
 6/22/22, TDN
 2/2/23, JMR
 FD SHANK
 3-29-24, JMR



O.D.O.T. DISTRICT 2 SURVEY OFFICE (USE ONLY)

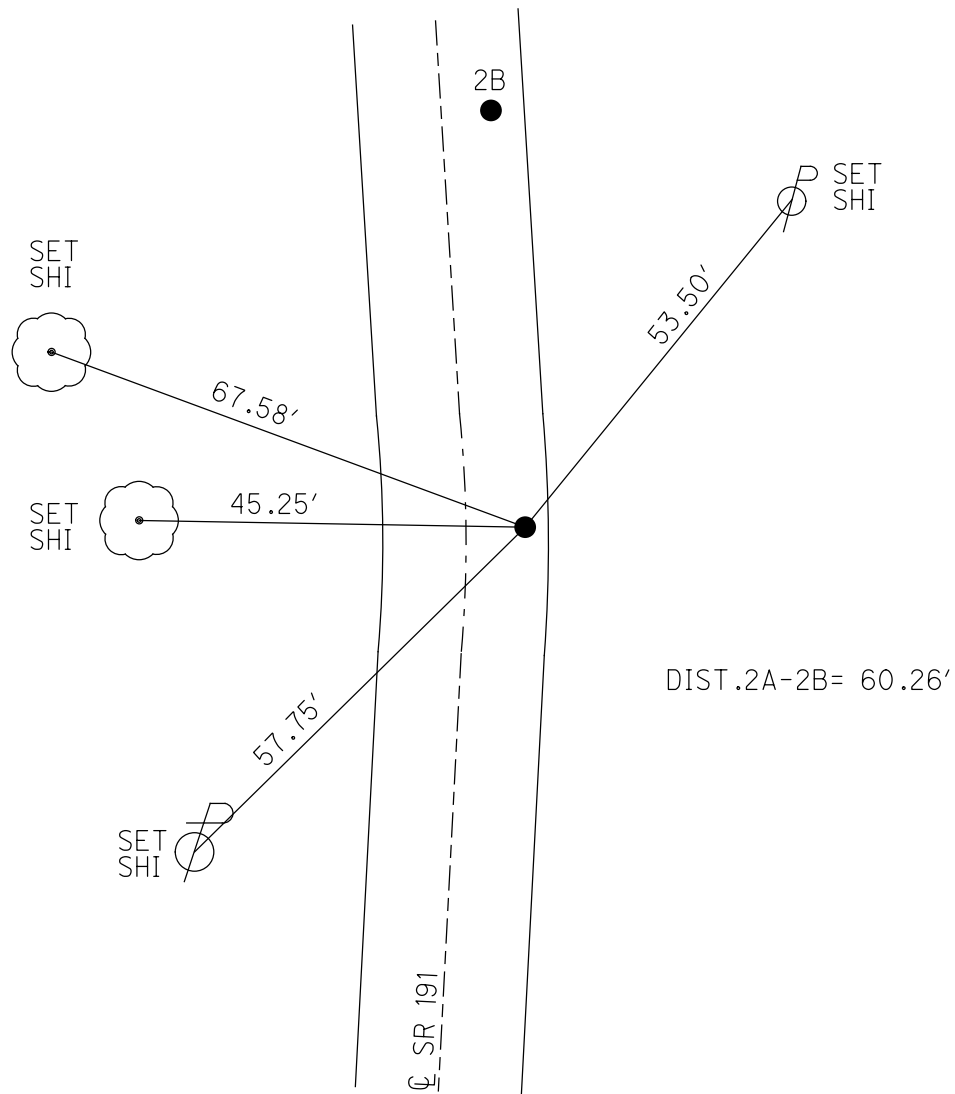
PERSONNEL _____ REFERENCE NO. 2 A SHEET 4 OF 34
 NOTES RHOADES DATE 6/22/22 ROUTE SR 191
 H.C. NIESE WEATHER SUNNY COUNTY WILLIAMS
 R.C. WHITAKER TEMP. 83° TOWNSHIP SPRINGFIEND
 DWG BY RHOADES PID PAVETRAIN SECTION 28
 T 6 N R 4 E

TYPE MONUMENT MAG SHANK
 ON SURFACE - ~~BELOW~~ ON
 OFFSET CL PAVEMENT 8.2' LT : RT
2.1' TO RT EDGE PAVEMENT
 STATION: 20+15.86



HORZ.DATUM: NAD83 2011 GEOID: NAVD88 2018
 GRID: NORTHING: 654503.903 EASTING: 1445938.076

RECORD: P.I.
 $\Delta = 12^{\circ}00' 40''$ LT
 SET R.R.SPIKE
 6/25/84, CL
 FD R.R.SPIKE
 10/3/88, IS
 SET R.R.SPIKE
 11/27/89, DJC
 FD R.R.SPIKE
 12/2/04, SAH
 4/18/06, RGN
 6/24/11, MC
 SET MAG/WASHER
 SVA2
 2/6/12, SAH
 FD MAG SHANK
 REFA2
 6/22/22, TDN
 2/2/23, JMR

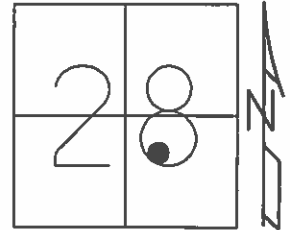


O.D.O.T. DISTRICT 2 SURVEY OFFICE (USE ONLY)

PERSONNEL _____ REFERENCE NO. 2 A SHEET 4 OF 34

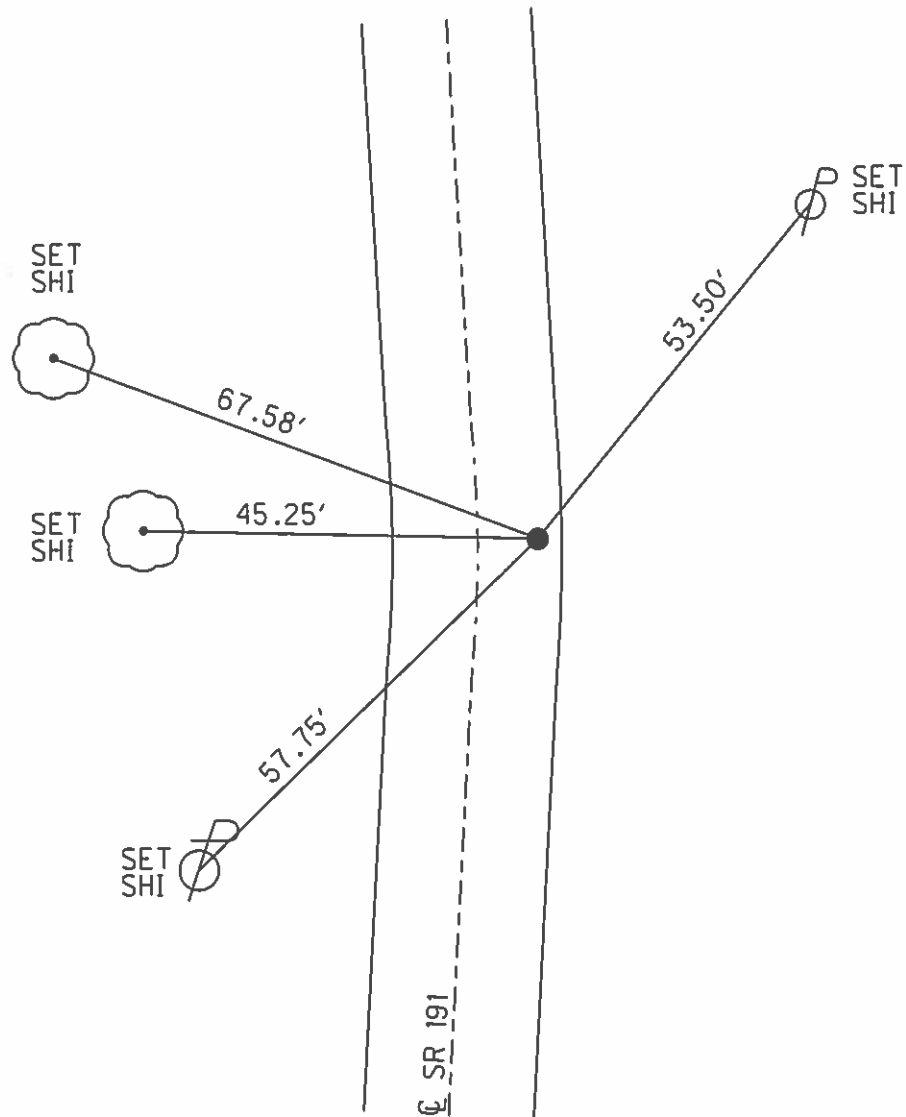
NOTES CANTERBURY DATE 6/24/11 ROUTE SR 191
 H.C. HUSS WEATHER RAIN COUNTY WILLIAMS
 R.C. FINGER TEMP. 66° TOWNSHIP SPRINGFIELD
 _____ SECTION 28
 _____ T 6 N R 4 E

TYPE MONUMENT R.R.SPIKE
 ON SURFACE - ~~BELOW~~ ON
~~LEFT~~ - CL PAV'T - RIGHT 8.2'
2.1' TO RT EDGE PAVEMENT
 S.L.M. 20+15.86



GRID: NORTHING: 654503.903 EASTING: 1445938.005

RECORD: P.I.
 $\Delta = 12^{\circ}00' 40''$ LT
 SET R.R.SPIKE
 6/25/84, CL
 FD R.R.SPIKE
 10/3/88, IS
 SET R.R.SPIKE
 11/27/89, DJC
 FD R.R.SPIKE
 12/2/04, SAH
 4/18/06, RGN
 6/24/11, MC
 SET MAG/WASHER
 GPS, SVA2
 2/6/12, SAH



O.D.O.T. DISTRICT 2 SURVEY OFFICE

PERSONNEL

REFERENCE NO. 2-A

SHEET 2 OF 7

NOTES 1.5 tons

H.C. D. Curtis

R.C. T. Hausholder

DATE 3 Oct. 88

WEATHER Fair

TEMP. 60°

ROUTE SR#191

COUNTY Williams

TOWNSHIP Springfield

SECTION 28

T R

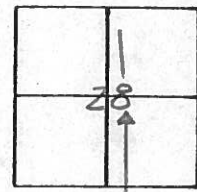
TYPE MONUMENT RR Spk.

ON SURFACE - BELOW

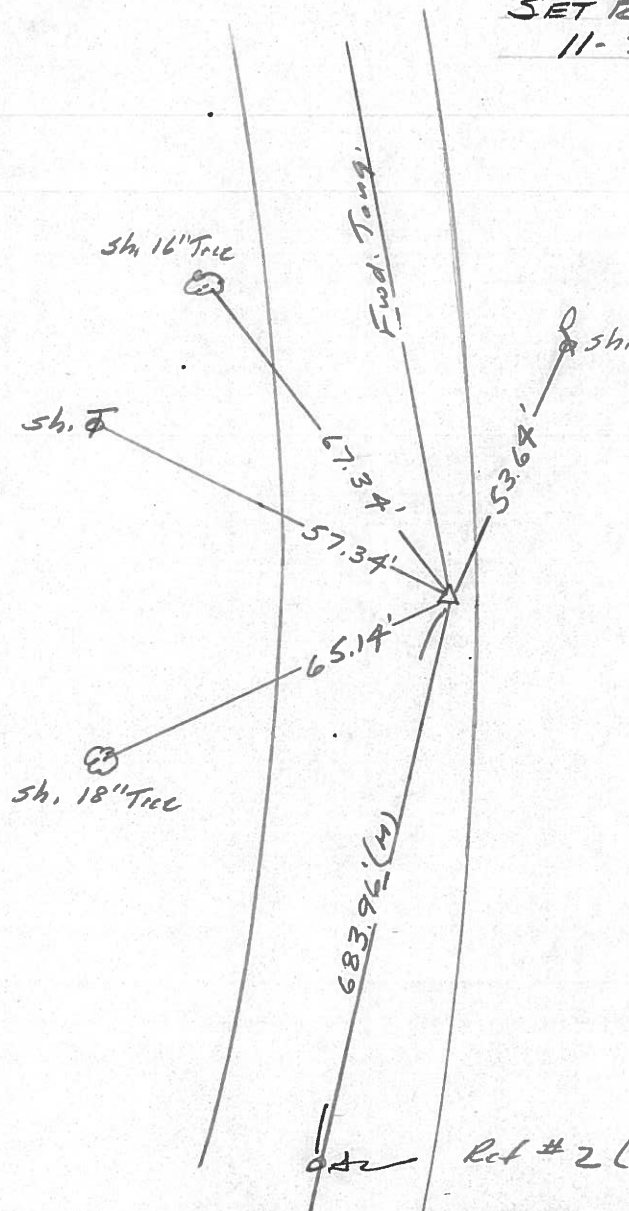
LEFT - & PAV'T. - RIGHT

 TO EDGE PAVEMENT

S.L.M. 20+19



SET R. R. SPK. TO SURFACE
11-27-89 AJC



County Williams S.R. 191

Date 6-25-84

Township SPRINGFIELD

Weather Clear

Section 28

Temp. 80°

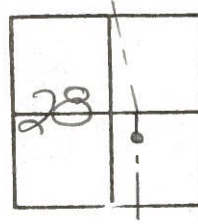
T6N, R4E

Personnel Hoffman

LOEHRKE

HOUSEHOLDER H.C.

BARNHISEL R.C.



2-A

Set R.R. spk / "t"

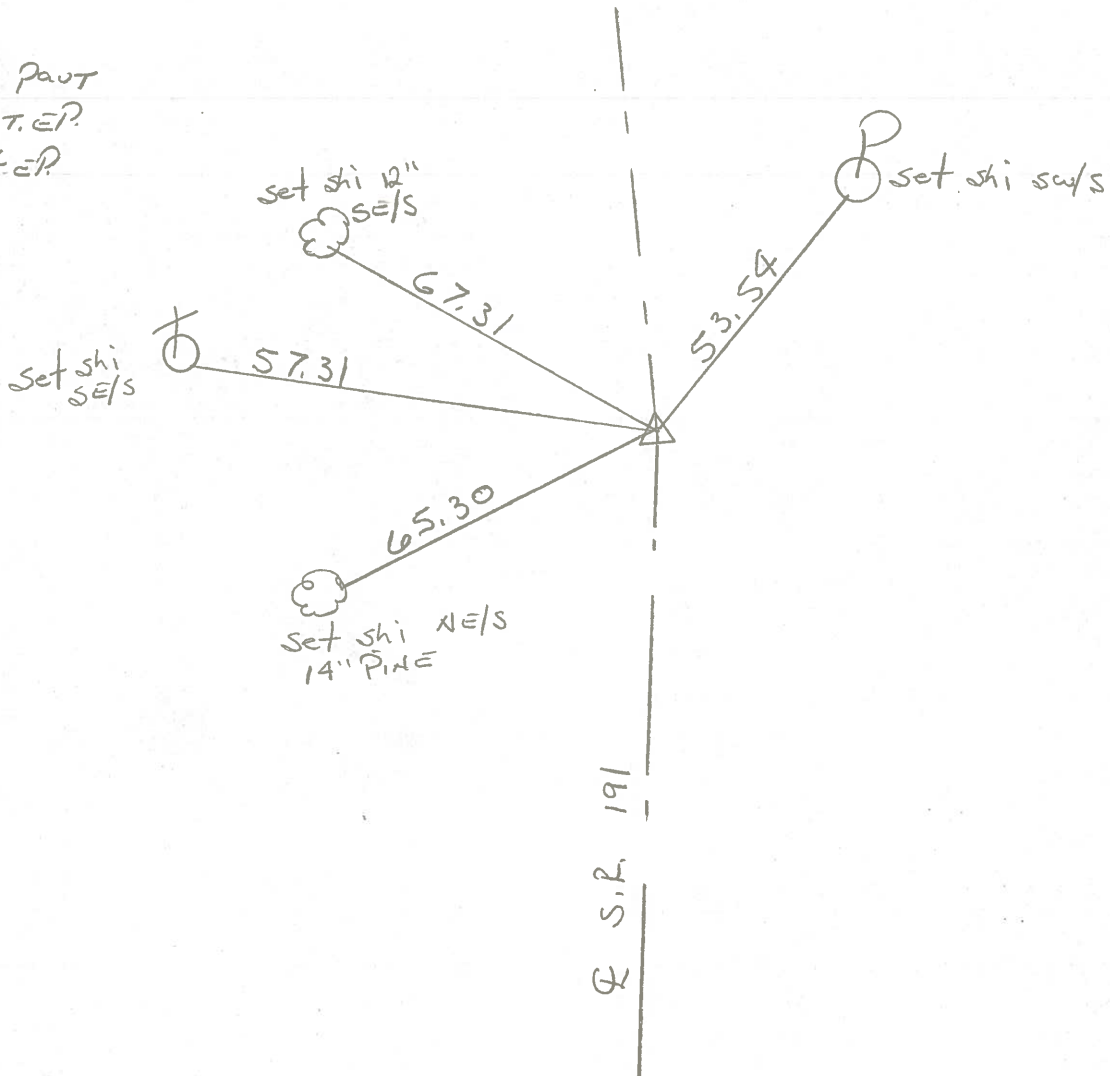
$SLM = 20 + 15.76$

$\Delta Lt = 12^{\circ} - 00' - 40''$
(MEAS.)

7.5' Rt. of the Pavt

1.9' to RT. EP.

16.9' to Lt. EP.



County Williams S.R. 191

Date 6-25-84

Township SPRINGFIELD

Weather Clear

Section 28

Temp. 80°

T6N, R4E

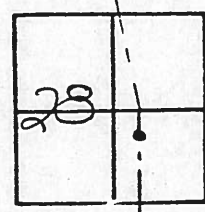
Personnel Hoffman

LOELRKE

HOUSEHOLDER H.C.

BARNHISEL R.C.

2-A



Set R.R. spike / "4"

$SLM = 20 + 15.76$

$\Delta Lt = 12^{\circ} - 00' - 40''$
(MEAS.)

7.5' 27. of & PAUT

1.9' TO RT. EP?

16.9' TO Lt. EP

