

O.D.O.T. DISTRICT 2 SURVEY OFFICE (USE ONLY)

PERSONNEL _____ REFERENCE NO. 4 SHEET 3 OF 23
 NOTES NIESE DATE 3/22/21 ROUTE US 20A
 H.C. AUBLE WEATHER FAIR COUNTY WILLIAMS
 R.C. NIESH TEMP. 52° TOWNSHIP MADISON
 DWG BY RHOADES PID 95998 SECTION 32
 T 9 S R 2 W

TYPE MONUMENT P.K./WASHER

~~ON SURFACE~~ - BELOW 2"

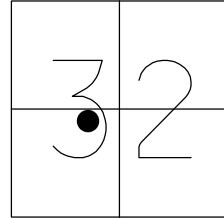
OFFSET \odot PAVEMENT ON LT : RT

12.0' TO RT EDGE PAVEMENT

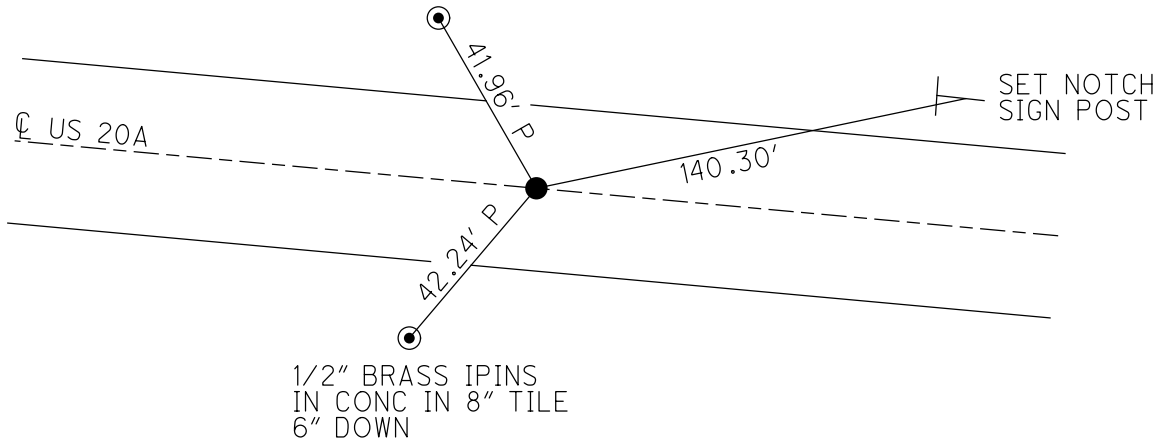
STATION: 29+69

HORZ. DATUM: NAD83 2011 GEOID: NAVD88 2012A

GRID: NORTHING: 726571.506 EASTING: 1404380.866



RECORD:
 FD P.K./WASHER
 8/19/98, SAH
 SET P.K./WASHER
 11/12/98, BVD
 FD P.K./WASHER
 2" DOWN
 REF4
 12/18/18, JLL
 SET MAG/WASHER
 10/26/21, DSA



O.D.O.T. DISTRICT 2 SURVEY OFFICE (USE ONLY)

PERSONNEL

REFERENCE NO. 4

SHEET 3 OF 23

NOTES HUSS

DATE 8/19/98

ROUTE US 20A

H.C. CORDES

WEATHER PARTLY CLOUDY

COUNTY WILLIAMS

R.C. HUSS

TEMP. 80°

TOWNSHIP MADISON

SECTION 32

DWG BY NIESE PID _____

T 9 S R 2 W

TYPE MONUMENT P.K./WASHER

ON SURFACE - ~~BELOW~~ ON

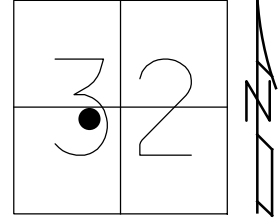
OFFSET ☑ PAVEMENT ON LT : RT

12.0' TO RT EDGE PAVEMENT

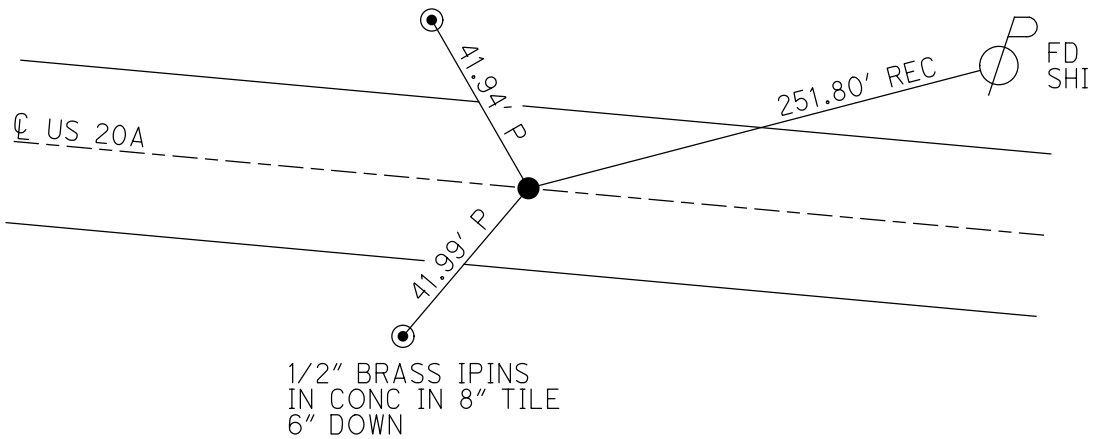
STATION: 29+69

HORZ.DATUM: _____ GEOID: _____

GRID: NORTHING: _____ EASTING: _____



RECORD:
FD P.K./WASHER
8/19/98, SAH
SET P.K./WASHER
11/12/98, BVD



O.D.O.T. DISTRICT 2 SURVEY OFFICE

PERSONNEL _____

REFERENCE NO. 4

SHEET 3 OF 3

NOTES Huss

H.C. Cordes

R.C. Huss

DATE 8-19-98

WEATHER Pt Cldy- Fair

TEMP. +80° F

ROUTE 20-A

COUNTY Williams

TOWNSHIP Madison

SECTION 32

T 9 S R 2 W

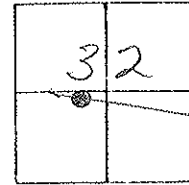
TYPE MONUMENT PK/WASHER

ON SURFACE - ~~BELOW~~ YES

~~LEFT~~ - C PAV'T - ~~RIGHT~~ YES

12.0' TO Rt EDGE PAVEMENT

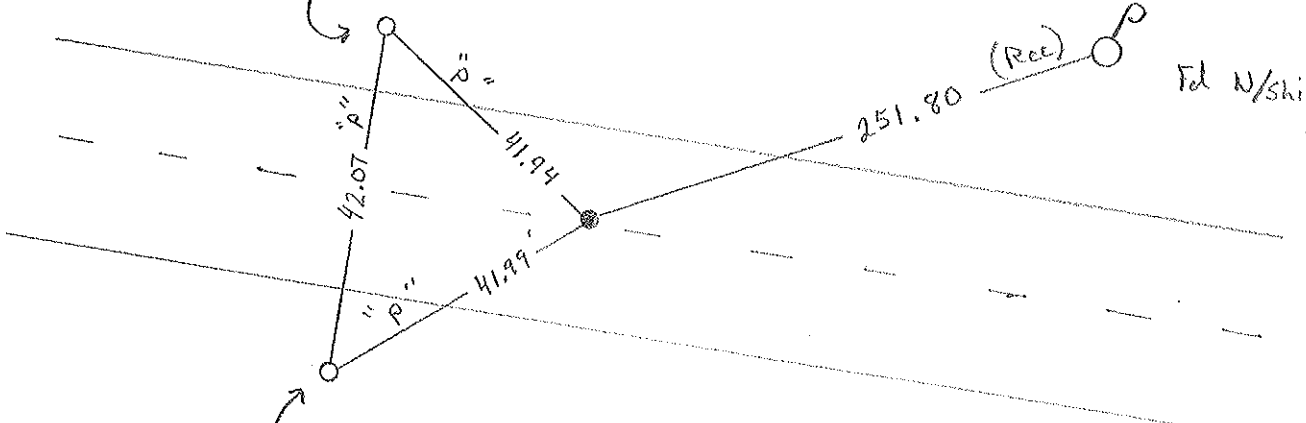
S.L.M. 29 + 69



SET PK/WASHER
 11-12-98
 B.V.D.

1/2" brass rod
 in conc. in 8"
 tile - 6" below surf

1/2" Brass Rod
 in conc in 8"
 tile - 6" below surf



Huss Set