

O.D.O.T. DISTRICT 2 SURVEY OFFICE (USE ONLY)

PERSONNEL

REFERENCE NO. 4 B

SHEET 5 OF 23

NOTES LEU

DATE 3/29/16

ROUTE US 20A

H.C. HOMAN

WEATHER SUNNY

COUNTY WILLIAMS

R.C. LEU

TEMP. 32°

TOWNSHIP MADISON

SECTION 33

DWG BY RHOADES PID 95786

T 10 S R 2 W

TYPE MONUMENT SM.R.R.SPIKE

~~ON SURFACE~~ - BELOW 1"

OFFSET 1.3' PAVEMENT LT : ~~RT~~

11.1' TO RT EDGE PAVEMENT

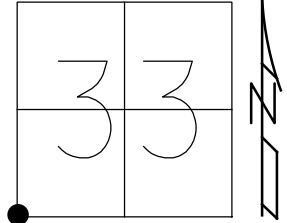
STATION: 71+58.65

HORIZ.DATUM: NAD83 2011

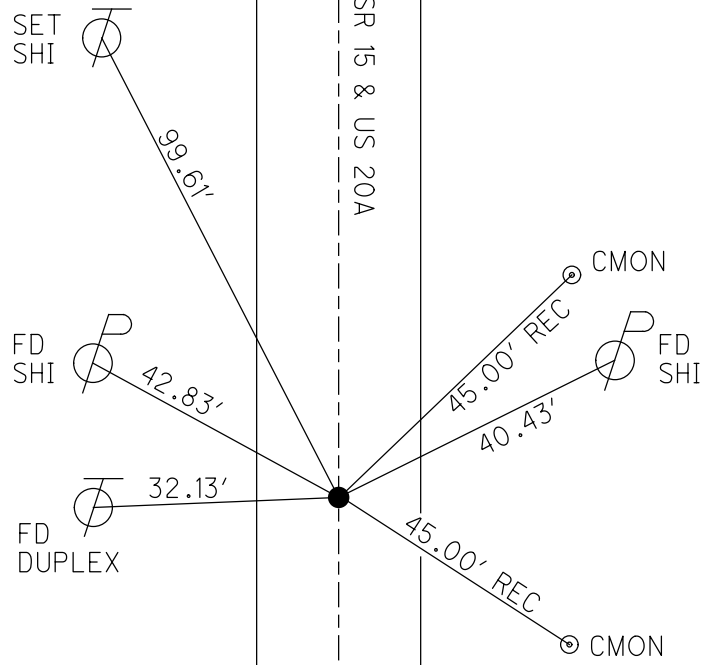
GEOID: NAVD88 2012B

GRID: NORTHING: 724264.080

EASTING: 1407203.615



RECORD:  
 FD SM.R.R.SPIKE  
 7/6/92, CL  
 FD P.K.NAIL  
 REF33  
 10/23/13, TMR  
 SET MAG/WASHER  
 NEWREF33  
 8/24/16, JFO  
 FD MAG/WASHER  
 REF33  
 3/24/20, JLL



NOTE: REF 33 SR 15

O.D.O.T. DISTRICT 2 SURVEY OFFICE (USE ONLY)

PERSONNEL \_\_\_\_\_ REFERENCE NO. 4 B SHEET 2 OF 21

NOTES LEU \_\_\_\_\_ DATE 3/29/16 ROUTE US 20A  
 H.C. HOMAN WEATHER SUNNY COUNTY WILLIAMS  
 R.C. LEU TEMP. 32° TOWNSHIP MADISON  
 SECTION 33  
 T 10 S R 2 W

TYPE MONUMENT SM.R.R.SPIKE

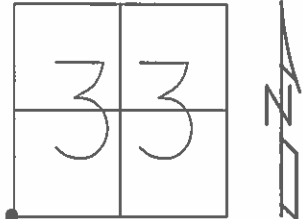
~~ON SURFACE~~ - BELOW 1"

LEFT - ☉ PAV'T - ~~RIGHT~~ 1.3'

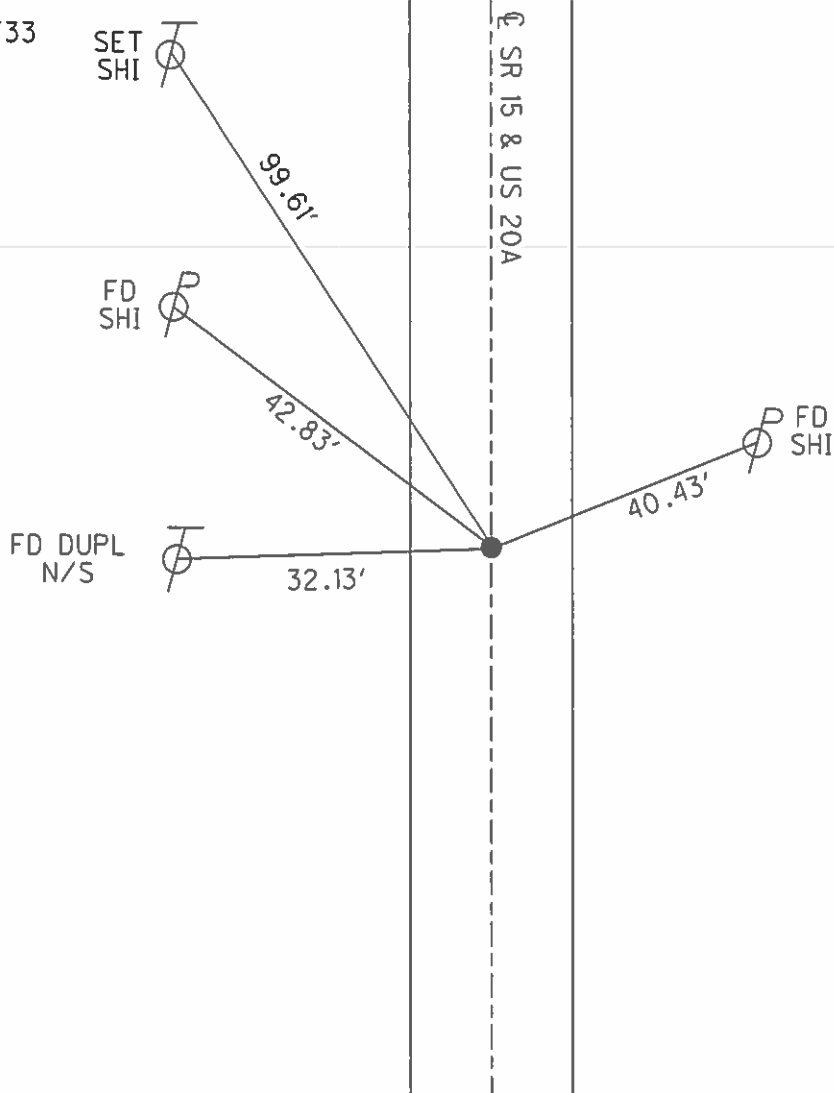
11.1' TO RT EDGE PAVEMENT

S.L.M. 71+58.65

GRID: NORTHING: 724264.080 EASTING: 1407203.615



NOTE:  
SR 15 REF33

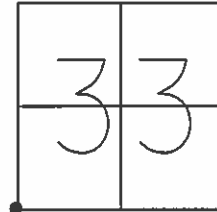


RECORD:  
 FD SM.R.R.SPIKE  
 7/6/92  
 SET P.K./WASHER  
 9/22/92, CL  
 FD P.K.NAIL  
 10/18/13  
 REF33  
 10/23/13, TMR  
 SET MAG/WASHER  
 NEWREF33  
 8/24/16, JFO

O.D.O.T. DISTRICT 2 SURVEY OFFICE (USE ONLY)

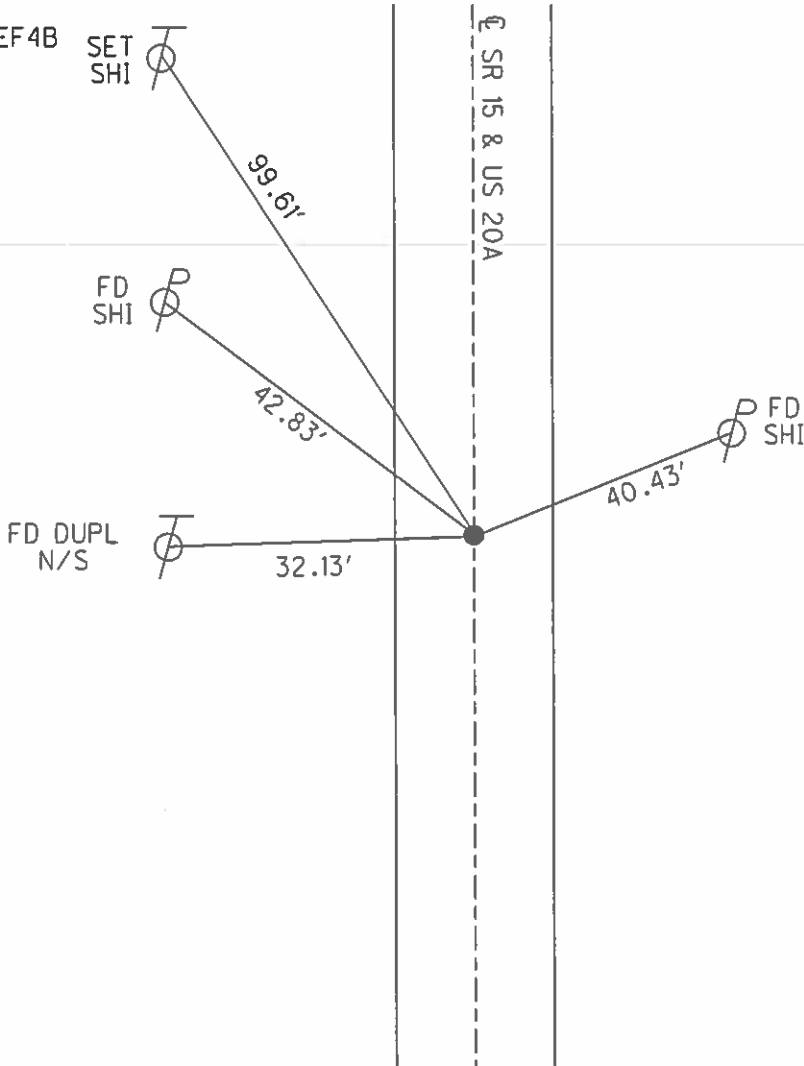
PERSONNEL \_\_\_\_\_ REFERENCE NO. 33 SHEET 2 OF 40  
 NOTES LEU \_\_\_\_\_ DATE 3/29/16 ROUTE SR 15  
 H.C. HOMAN WEATHER SUNNY COUNTY WILLIAMS  
 R.C. LEU TEMP. 32° TOWNSHIP MADISON  
 \_\_\_\_\_ SECTION 33  
 \_\_\_\_\_ T 10 S R 2 W

TYPE MONUMENT SM.R.R.SPIKE  
~~ON SURFACE~~ - BELOW 1"  
 LEFT - Q PAV'T - ~~RIGHT~~ 1.3'  
11.1' TO RT EDGE PAVEMENT  
 S.L.M. 433+76.9



GRID: NORTHING: 724264.080 EASTING: 1407203.615

NOTE:  
 US 20A REF4B



RECORD:  
 FD SM.R.R.SPIKE  
 7/6/92  
 SET P.K./WASHER  
 9/22/92, CL  
 FD P.K.NAIL  
 10/18/13  
 REF33  
 10/23/13, TMR  
 SET MAG/WASHER  
 NEWREF33  
 8/24/16, JFO