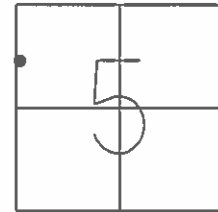


O.D.O.T. DISTRICT 2 SURVEY OFFICE (USE ONLY)

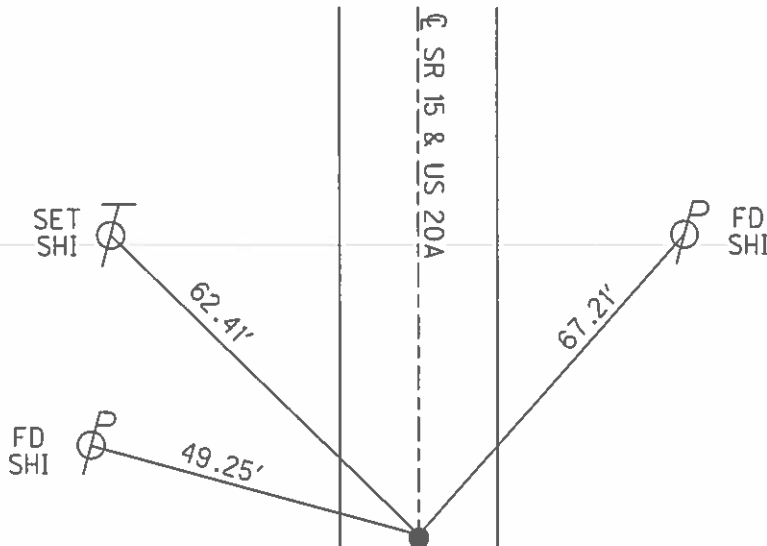
PERSONNEL _____ REFERENCE NO. 4 R SHEET 19 OF 21
 NOTES O'DONNELL DATE 4/1/16 ROUTE US 20A
 H.C. RHOADES WEATHER CLOUDY COUNTY WILLIAMS
 R.C. O'DONNELL TEMP. 43° TOWNSHIP JEFFERSON
 _____ SECTION 5
 _____ T 7 N R 3 E

TYPE MONUMENT P.K./WASHER
 ON SURFACE - ~~BELOW~~ ON
 LEFT - ☉ PAV'T - RIGHT ON
12.5' TO LT EDGE PAVEMENT
 S.L.M. 225+07.23



GRID: NORTHING: 709043.495 EASTING: 1406199.485

NOTE:
SR 15 REF28A



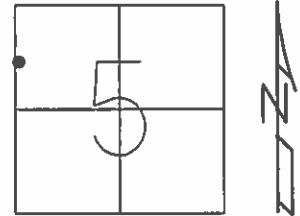
RECORD: 1982
 ORIGIN UNKNOWN
 FD P.K./WASHER
 7/16/92
 SET P.K./WASHER
 9/22/92, CL
 FD P.K./WASHER
 10/2/13
 REFA2810/23/13, TMR
 SET MAG/WASHER
 NEWREFA28
 8/29/16, JFO

O.D.O.T. DISTRICT 2 SURVEY OFFICE (USE ONLY)

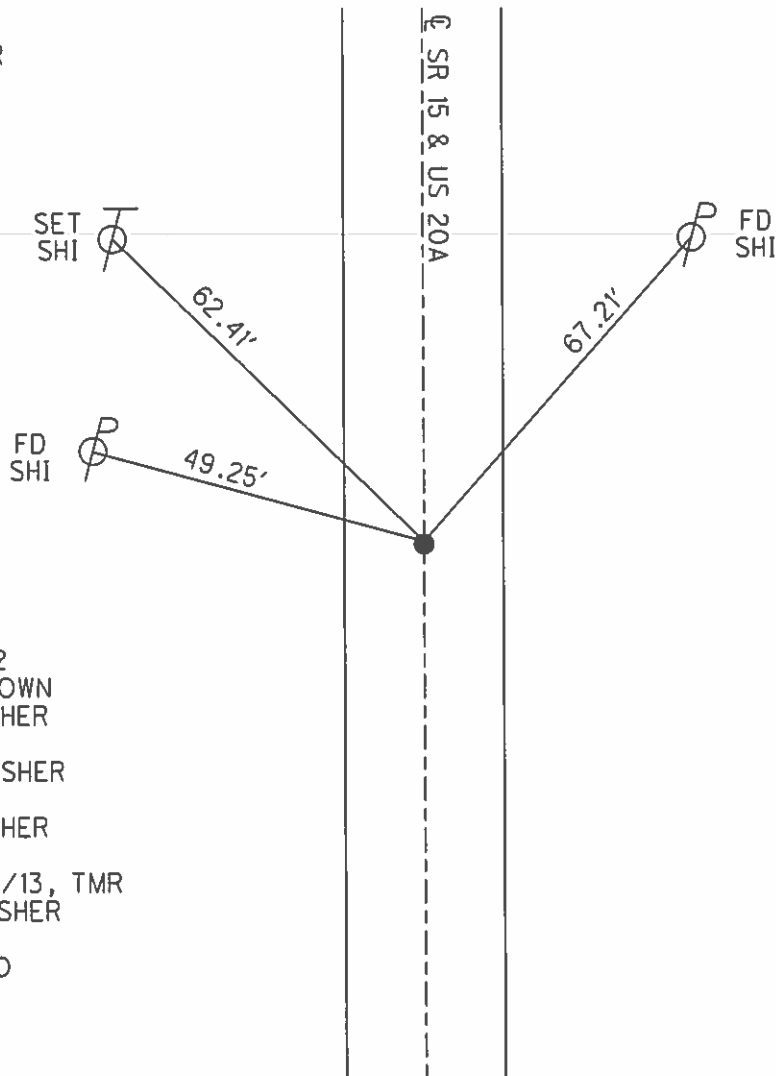
PERSONNEL _____ REFERENCE NO. 28 A SHEET 19 OF 40

NOTES O'DONNELL DATE 4/1/16 ROUTE SR 15
 H.C. RHOADES WEATHER CLOUDY COUNTY WILLIAMS
 R.C. O'DONNELL TEMP. 43° TOWNSHIP JEFFERSON
 _____ SECTION 5
 _____ T 7 N R 3 E

TYPE MONUMENT P.K./WASHER
 ON SURFACE - ~~BELOW~~ ON
 LEFT - ☉ PAV'T - RIGHT ON
12.5' TO LT EDGE PAVEMENT
 S.L.M. 587+46.58
 GRID: NORTHING: 709043.495 EASTING: 1406199.485



NOTE:
 US 20A REF4R



RECORD: 1982
 ORIGIN UNKNOWN
 FD P.K./WASHER
 7/16/92
 SET P.K./WASHER
 9/22/92, CL
 FD P.K./WASHER
 10/2/13
 REFA2810/23/13, TMR
 SET MAG/WASHER
 NEWREFA28
 8/29/16, JFO