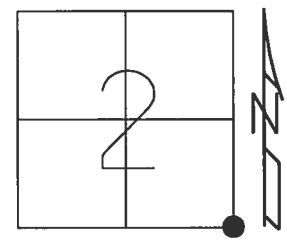


O.D.O.T. DISTRICT 2 SURVEY OFFICE (USE ONLY)

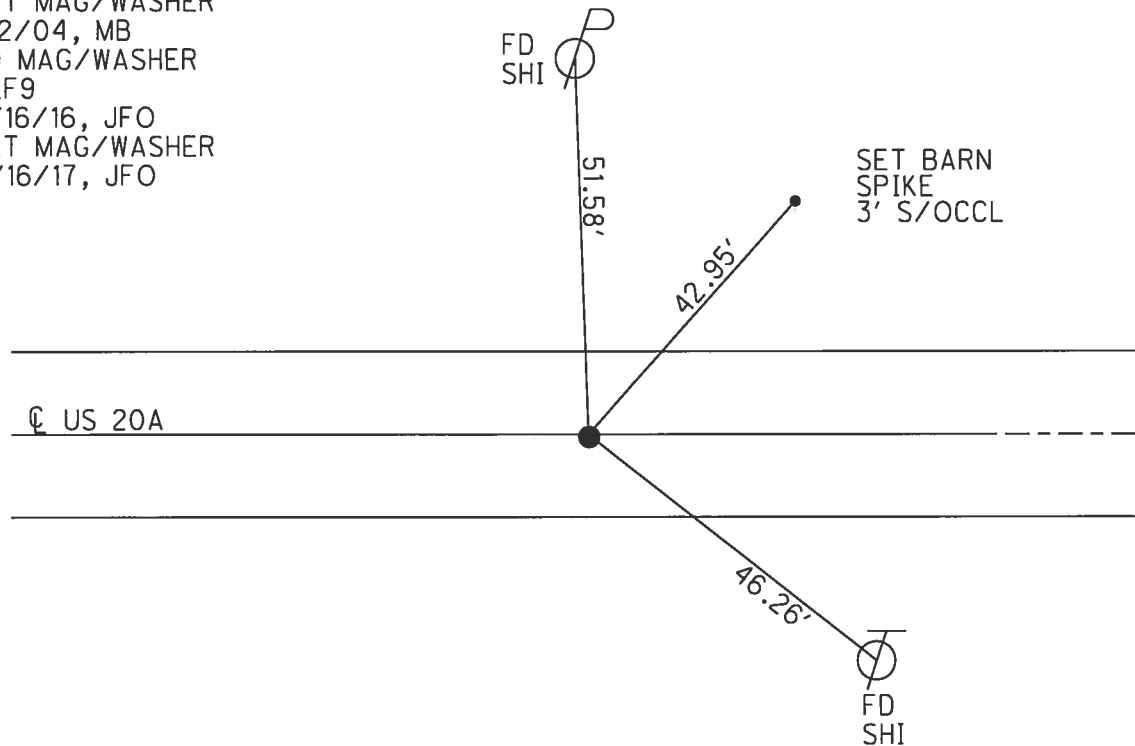
PERSONNEL \_\_\_\_\_ REFERENCE NO. 9 SHEET 11 OF 32  
 NOTES RHOADES DATE 4/17/17 ROUTE US 20 A  
 H.C. O'DONNELL WEATHER SUNNY COUNTY WILLIAMS  
 R.C. HELDMAN TEMP. 61° TOWNSHIP JEFFERSON  
 \_\_\_\_\_ SECTION 2  
 \_\_\_\_\_ T 7 N R 3 E

TYPE MONUMENT MAG/WASHER  
 ON SURFACE - ~~BELOW~~ ON  
~~LEFT~~ - ☉ PAV'T - RIGHT 0.5'  
10.7' TO LT EDGE PAVEMENT  
 S.L.M. 464+57.93



Grid: Northing: 705609.675 Easting: 1427428.398

RECORD:  
 STA. 575+79  
 FD SM.R.R.SPIKE  
 5/23/02, MC  
 SET MAG/WASHER  
 1/2/04, MB  
 FD MAG/WASHER  
 REF9  
 5/16/16, JFO  
 SET MAG/WASHER  
 11/16/17, JFO



O.D.O.T. DISTRICT 2 SURVEY OFFICE

PERSONNEL

REFERENCE NO. 9

SHEET 9 OF 28

NOTES MALINSKY

H.C. CANTERBURY

DATE 5-23-02

ROUTE U.S. 20-A

R.C. BEAUMONT

WEATHER Sun

COUNTY Williams

TEMP. 170°

TOWNSHIP Jefferson

SECTION 2

T. 7 N. R. 3 E.

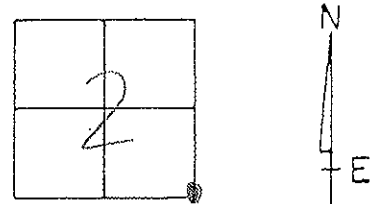
TYPE MONUMENT sm RR. Spk

ON SURFACE - BELOW 1.5"

LEFT - ~~C PAV'T~~ - RIGHT 0.5'

10.7' TOLT EDGE PAVEMENT

S.L.M. 575+79



RESET MAG/WASHER  
1-02-04  
M.B.

