

O.D.O.T. DISTRICT 2 SURVEY OFFICE (USE ONLY)

PERSONNEL _____ REFERENCE NO. 26 SHEET 31 OF 32

NOTES RHOADES DATE 4/19/17 ROUTE US 20 A

H.C. O'DONNELL WEATHER CLOUDY COUNTY WILLIAMS

R.C. RHOADES TEMP. 68° TOWNSHIP BRADY

SECTION 3

T 7 N R 4 E

TYPE MONUMENT R.R.SPIKE

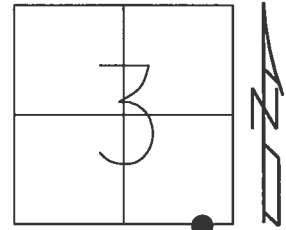
~~ON SURFACE~~ - BELOW 2"

LEFT - ☉ PAV'T - ~~RIGHT~~ 1'

9.1' TO LT EDGE PAVEMENT

S.L.M. 718+31.07

Grid: Northing: 705023.217 Easting: 1452780.340



RECORD:

SET SM.R.R.SPIKE
8/5/87

STA. 829+43

FD SM.R.R.SPIKE

5/29/02, MB

SET P.K./WASHER

9/24/02, MB

FD P.K./WASHER

REF26

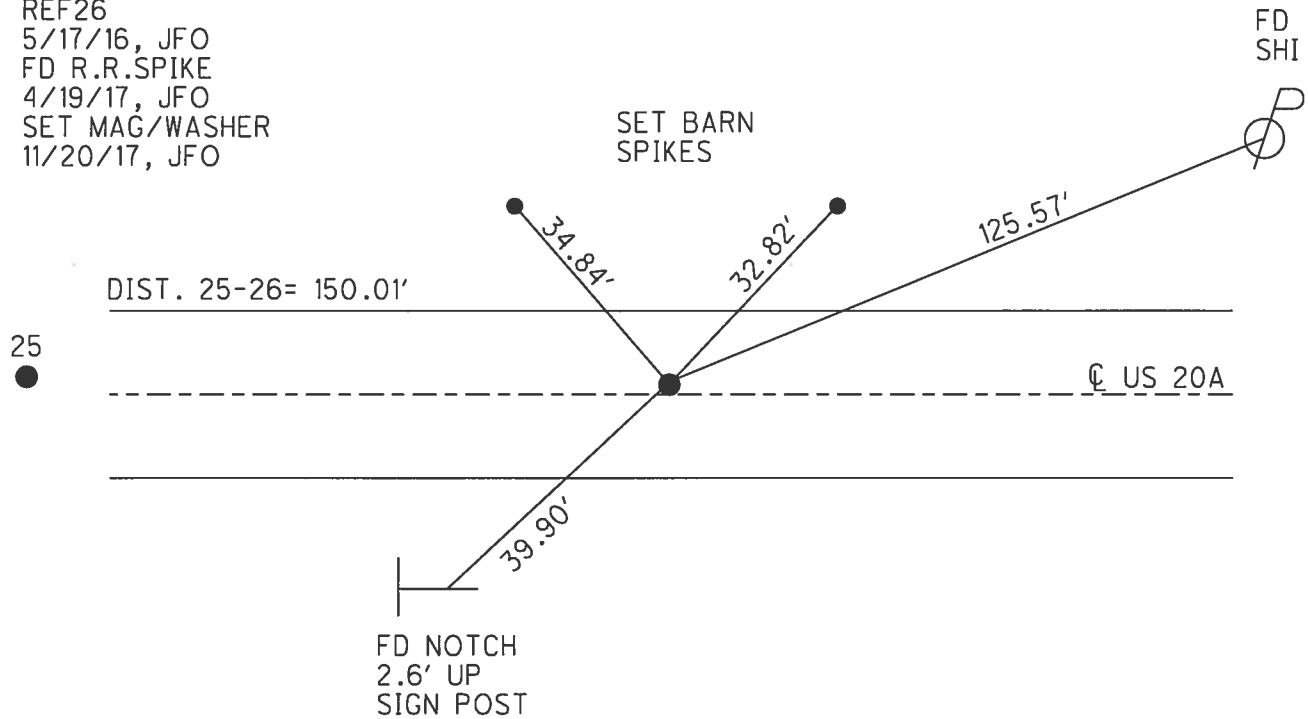
5/17/16, JFO

FD R.R.SPIKE

4/19/17, JFO

SET MAG/WASHER

11/20/17, JFO



DIST. 25-26= 150.01'

25

FD
SHI

SET BARN
SPIKES

FD NOTCH
2.6' UP
SIGN POST

O.D.O.T. DISTRICT 2 SURVEY OFFICE

PERSONNEL

REFERENCE NO. 18-B

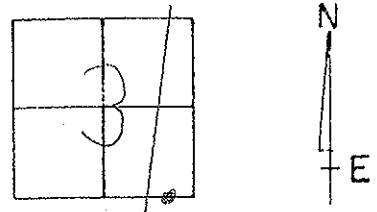
SHEET 27 OF 28

NOTES Barnhisel
 H.C. Centerbury
 R.C. Beaumont
Malinsky

DATE 5-29-02
 WEATHER cloudy
 TEMP. +70°

ROUTE U.S. 20-A
 COUNTY Williams
 TOWNSHIP Brady
 SECTION 3
T 7 N R 4 E

TYPE MONUMENT sm RR spk
 ON SURFACE - ~~BELOW~~ on surface
 LEFT - ~~PAV'T.~~ RIGHT 1' LT.
91' TO LT EDGE PAVEMENT
 S.L.M. 829+43



Set small RR spk
 to surface
 8-5-87

Reset PK/washer
 9-24-02
 MB

