

O.D.O.T. DISTRICT 2 SURVEY OFFICE (USE ONLY)

PERSONNEL

REFERENCE NO. 1

SHEET 1 OF 15

NOTES RHOADES DATE 8/4/16  
 H.C. O'DONNELL WEATHER FAIR  
 R.C. RHOADES TEMP. 80°

ROUTE SR 576  
 COUNTY WILLIAMS  
 TOWNSHIP CENTER  
 SECTION 35

DWG BY RHOADES PID 85269

T 6 N R 2 E

TYPE MONUMENT MONBOX W/1" IPIN

ON SURFACE - ~~BELOW~~ ON

OFFSET  $\text{C}$  PAVEMENT 11.8' ~~ET~~ : RT

0.9' TO RT EDGE PAVEMENT

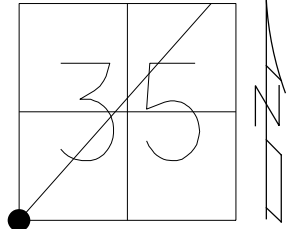
STATION: 0+00

HORZ. DATUM: NAD83 2011

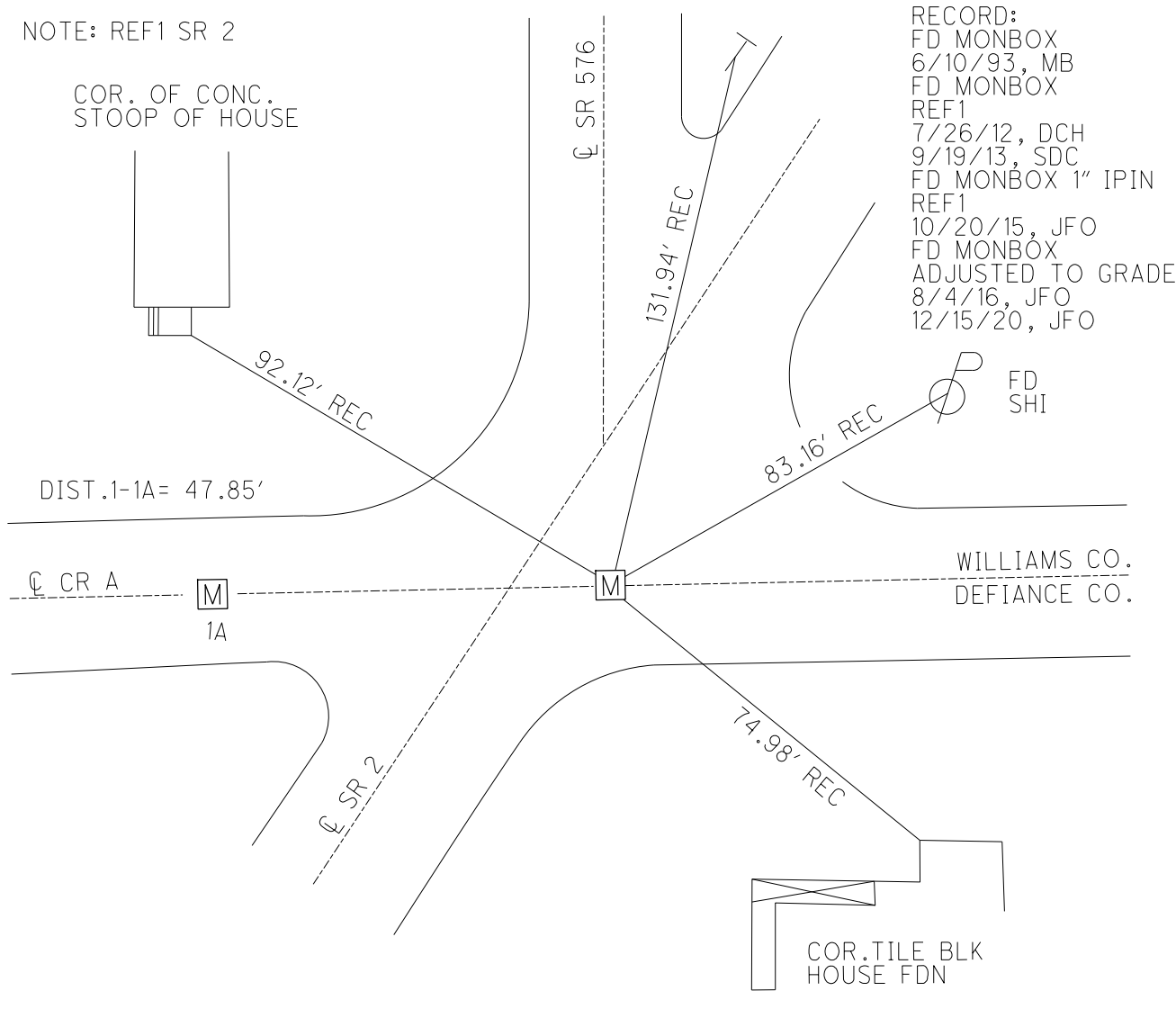
GEOID: NAVD88 2012A

GRID: NORTHING: 648281.816

EASTING: 1389322.822



NOTE: REF1 SR 2



RECORD:  
 FD MONBOX  
 6/10/93, MB  
 FD MONBOX  
 REF1  
 7/26/12, DCH  
 9/19/13, SDC  
 FD MONBOX 1" IPIN  
 REF1  
 10/20/15, JFO  
 FD MONBOX  
 ADJUSTED TO GRADE  
 8/4/16, JFO  
 12/15/20, JFO

FD  
 SHI

WILLIAMS CO.  
 DEFIANCE CO.

COR. TILE BLK  
 HOUSE FDN

O.D.O.T. DISTRICT 2 SURVEY OFFICE (USE ONLY)

PERSONNEL

REFERENCE NO. 1 A

SHEET 2 OF 15

NOTES RHOADES DATE 8/4/16

H.C. O'DONNELL WEATHER FAIR

R.C. RHOADES TEMP. 80°

ROUTE SR 576

COUNTY WILLIAMS

TOWNSHIP CENTER

SECTION 35

DWG BY RHOADES PID 85269

T 6 N R 2 E

TYPE MONUMENT MONBOX W/ 3/4" IPIN

ON SURFACE - ~~BELOW~~ ON

OFFSET  $\text{C}$  PAVEMENT 36.05' LT : ~~RT~~

- TO - EDGE PAVEMENT

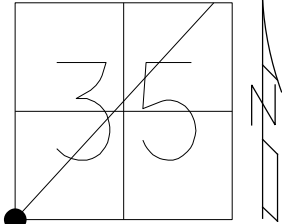
STATION: 0+00

HORIZ.DATUM: NAD83 2011

GEOID: NAVD88 2012A

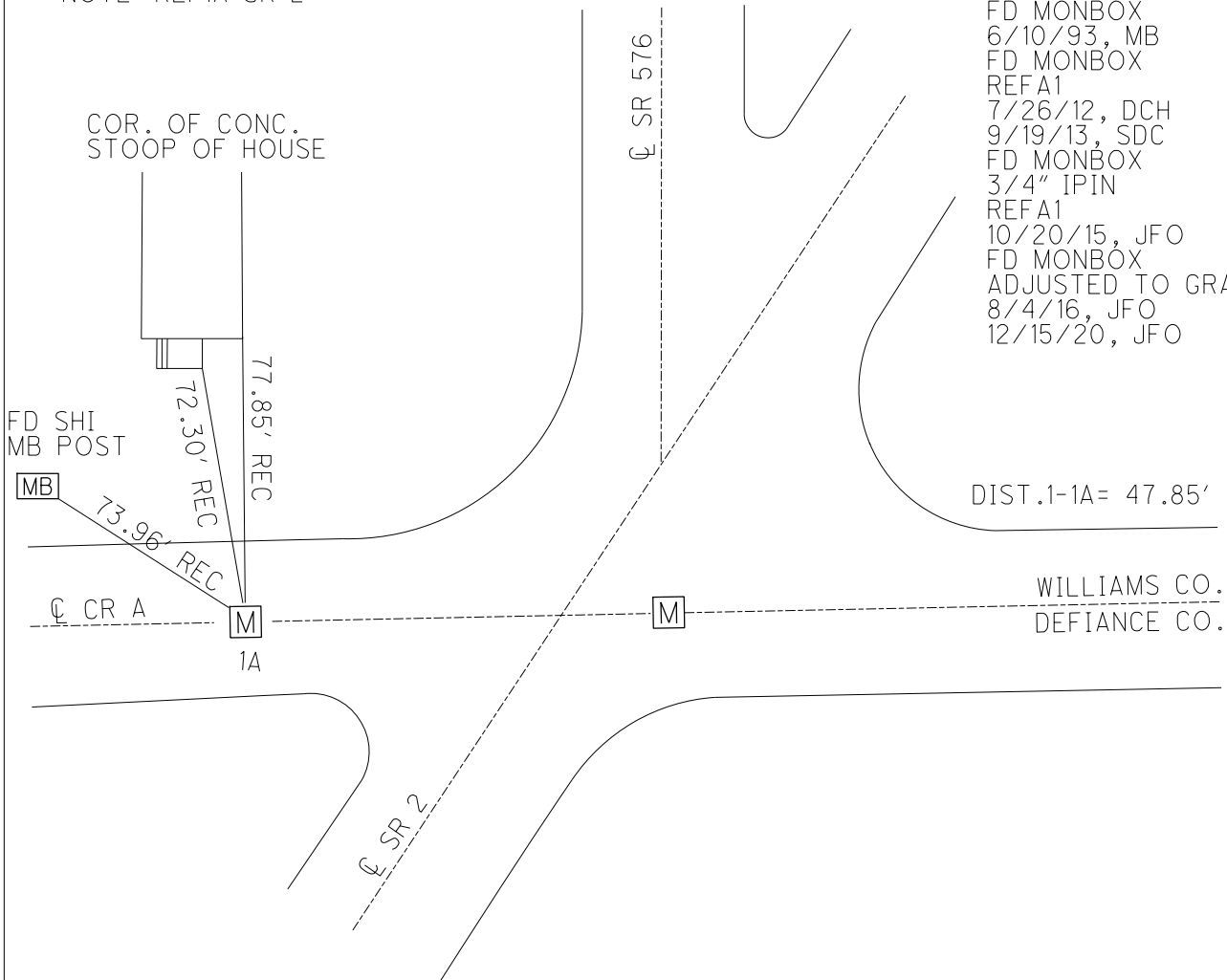
GRID: NORTHING: 648281.702

EASTING: 1389274.856



NOTE: REF1A SR 2

RECORD:  
 FD MONBOX  
 6/10/93, MB  
 FD MONBOX  
 REFA1  
 7/26/12, DCH  
 9/19/13, SDC  
 FD MONBOX  
 3/4" IPIN  
 REFA1  
 10/20/15, JFO  
 FD MONBOX  
 ADJUSTED TO GRADE  
 8/4/16, JFO  
 12/15/20, JFO



O.D.O.T. DISTRICT 2 SURVEY OFFICE (USE ONLY)

PERSONNEL

REFERENCE NO. 2

SHEET 3 OF 15

NOTES ASTON

DATE 3/29/24

ROUTE SR 576

H.C. RHOADES

WEATHER CLEAR

COUNTY WILLIAMS

R.C. ASTON

TEMP. 44°

TOWNSHIP CENTER

SECTION 34

DWG BY RHOADES PID CHIP SEAL

T 6 N R 2 E

TYPE MONUMENT P.K./WASHER

ON SURFACE - ~~BELOW~~ ON

OFFSET 3.5' ~~RT~~ : RT

6.5' TO RT EDGE PAVEMENT

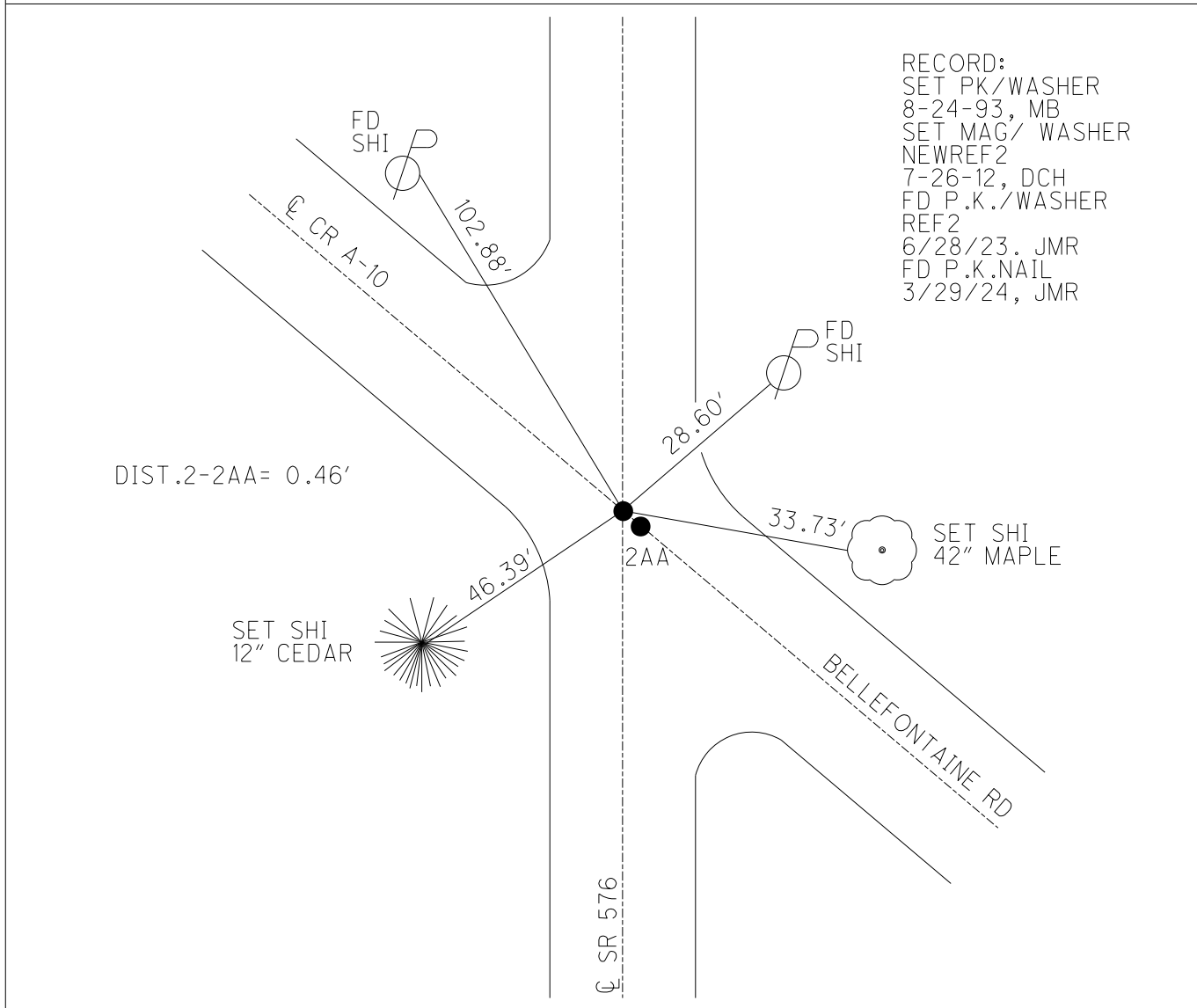
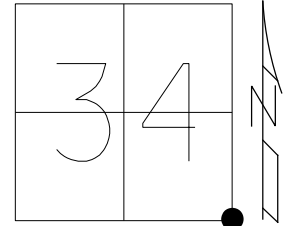
STATION: 12.33+98

HORIZ.DATUM: NAD83 2012

GEOID: NAVD88 2018

GRID: NORTHING: 649515.723

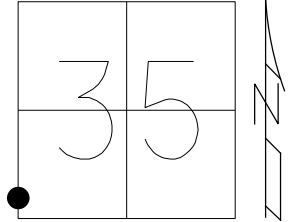
EASTING: 1389347.257



O.D.O.T. DISTRICT 2 SURVEY OFFICE (USE ONLY)

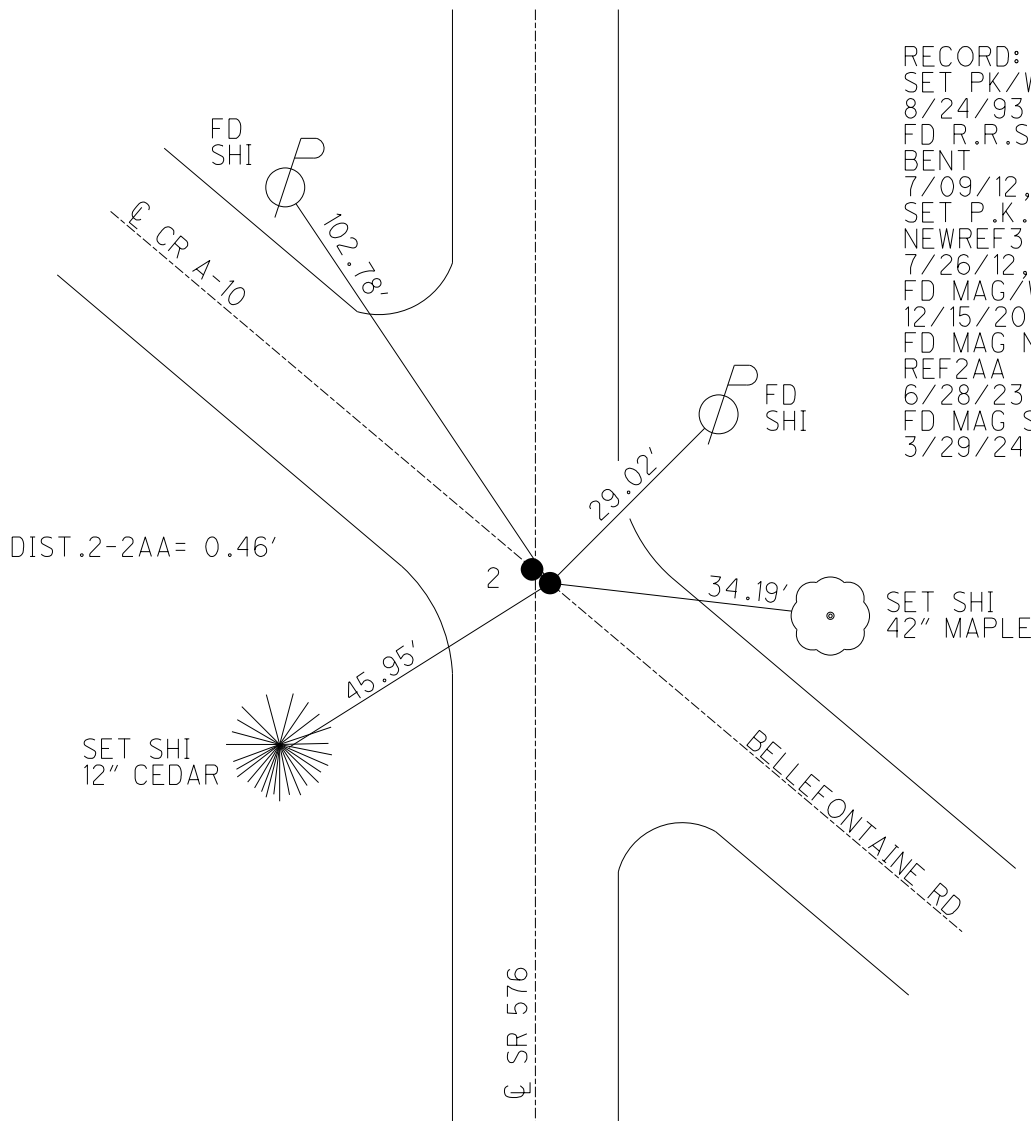
PERSONNEL \_\_\_\_\_ REFERENCE NO. 2 AA SHEET 4 OF 15  
 NOTES ASTON DATE 3/29/24 ROUTE SR 576  
 H.C. RHOADES WEATHER CLEAR COUNTY WILLIAMS  
 R.C. ASTON TEMP. 44° TOWNSHIP CENTER  
 DWG BY RHOADES PID CHIP SEAL SECTION 35  
 T 6 N R 2 E

TYPE MONUMENT MAG SHANK  
 ON SURFACE - ~~BELOW~~ ON  
 OFFSET  $\perp$  PAVEMENT 2.8' ~~FF~~ : RT  
7.3' TO RT EDGE PAVEMENT  
 STATION: 12+36



HORIZ.DATUM: NAD83 2011 GEOID: NAVD88 2018  
 GRID: NORTHING: 649515.539 EASTING: 1389346.809

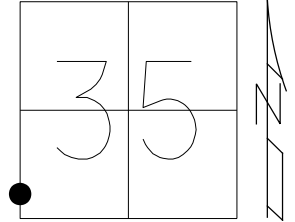
RECORD:  
 SET PK/WASHER  
 8/24/93, MB  
 FD R.R.SPIKE  
 BENT  
 7/09/12, DCH  
 SET P.K./WASHER  
 NEWREF3  
 7/26/12, DCH  
 FD MAG/WASHER  
 12/15/20, JMR  
 FD MAG NAIL  
 REF2AA  
 6/28/23, JMR  
 FD MAG SHANK  
 3/29/24, JMR



O.D.O.T. DISTRICT 2 SURVEY OFFICE (USE ONLY)

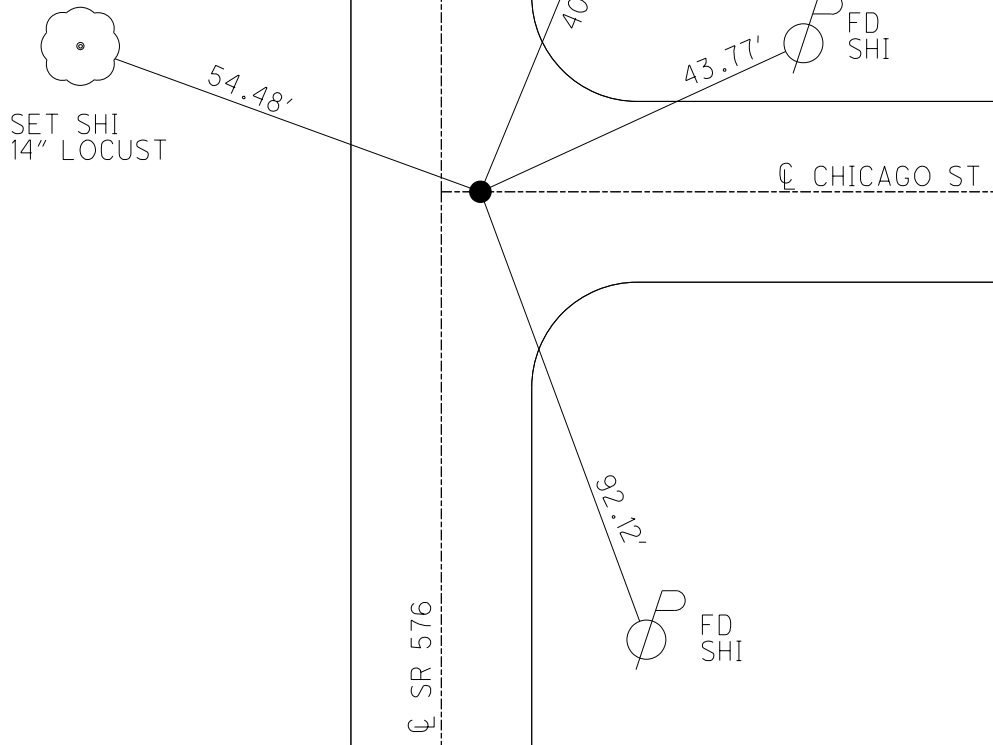
PERSONNEL \_\_\_\_\_ REFERENCE NO. 2 AB SHEET 5 OF 15  
 NOTES ASTON DATE 3/29/24 ROUTE SR 576  
 H.C. RHOADES WEATHER CLEAR COUNTY WILLIAMS  
 R.C. ASTON TEMP. 44° TOWNSHIP CENTER  
 DWG BY RHOADES PID CHIP SEAL SECTION 35  
 T 6 N R 2 E

TYPE MONUMENT MAG SHANK  
 ON SURFACE - ~~BELOW~~ ON  
 OFFSET  $\odot$  PAVEMENT 4.2' ~~ET~~ : RT  
6.3' TO RT EDGE PAVEMENT  
 STATION: 13+50



HORZ. DATUM: NAD83 2011 GEOID: NAVD88 2018  
 GRID: NORTHING: 649629.748 EASTING: 1389349.824

RECORD:  
 FD P.K./WASHER  
 8/24/93, MB  
 SET P.K./WASHER  
 NEWREF4  
 7/26/12, DCH  
 FD MAG/WASHER  
 12/15/20, JMR  
 FD MAG/WASHER  
 REF2AB  
 6/28/23, JMR  
 FD MAG SHANK  
 3/29/24, JMR



O.D.O.T. DISTRICT 2 SURVEY OFFICE (USE ONLY)

PERSONNEL \_\_\_\_\_ REFERENCE NO. 2 B SHEET 6 OF 15

NOTES ASTON DATE 3/29/24 ROUTE SR 576  
 H.C. RHOADES WEATHER SUNNY COUNTY WILLIAMS  
 R.C. ASTON TEMP. 44° TOWNSHIP CENTER

SECTION 35  
T 6 N R 2 E

DWG BY RHOADES PID CHIP SEAL

TYPE MONUMENT P.K./WASHER

ON SURFACE - ~~BELOW~~ ON \_\_\_\_\_

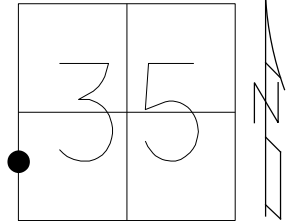
OFFSET  $\odot$  PAVEMENT 3.9' ~~LT~~ : RT

6.9' TO RT EDGE PAVEMENT

STATION: 16+54.15

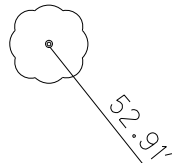
HORIZ.DATUM: NAD83 2011 GEOID: NAVD88 2018

GRID: NORTHING: 649935.161 EASTING: 1389355.997



RECORD:  
 SET PK/WASHER  
 8-24-93, MB  
 FD LG.R.R.SPIKE  
 3" DOWN  
 REF5  
 7/6/12, DCH  
 SET P.K./WASHER  
 NEWREF5  
 7-26-12, DCH  
 FD P.K./WASHER  
 REF2B  
 6/28/23,  
 3/29/24, JMR

FD SHI  
 30" ASH



BOTTOM  
 BOLT  
 STOP SIGN

2C



$\odot$  BRYANT ST

CHISLED "X"  
 MH RIM



FD SHI

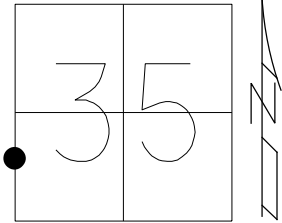
DIST .2B-2C= 34.31'

$\odot$  SR 576

O.D.O.T. DISTRICT 2 SURVEY OFFICE (USE ONLY)

PERSONNEL \_\_\_\_\_ REFERENCE NO. 2 C SHEET 7 OF 15  
 NOTES ASTON DATE 3/29/24 ROUTE SR 576  
 H.C. RHOADES WEATHER SUNNY COUNTY WILLIAMS  
 R.C. ASTON TEMP. 44° TOWNSHIP CENTER  
 DWG BY RHOADES PID CHIP SEAL SECTION 35  
 T 6 N R 2 E

TYPE MONUMENT P.K.SHANK  
 ON SURFACE - ~~BELOW~~ ON  
 OFFSET  $\varnothing$  PAVEMENT 3.2' ~~RT~~ : RT  
6.9' TO RT EDGE PAVEMENT  
 STATION: 16+90



HORZ.DATUM: NAD83 2011 GEOID: NAVD88 2018  
 GRID: NORTHING: 649969.471 EASTING: 1389356.661

RECORD:  
 FD P.K.WASHER  
 REF6  
 7-6-12, DCH  
 SET P.K./WASHER  
 NEWREF6  
 7-26-12, DCH  
 FD P.K.SHANK  
 REF2C  
 6/28/23,  
 3/29/24, JMR

FD SHI  
 30" ASH

DIST .2B-2C= 34.31'



MB  
 1.5' UP ON  
 FACE MAIL  
 BOX POST

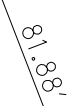


BOTTOM  
 BOLT  
 STOP SIGN

$\varnothing$  BRYANT ST



CHISLED "X"  
 MH RIM



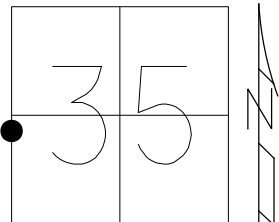
FD  
 SHI

$\varnothing$  SR 576

O.D.O.T. DISTRICT 2 SURVEY OFFICE (USE ONLY)

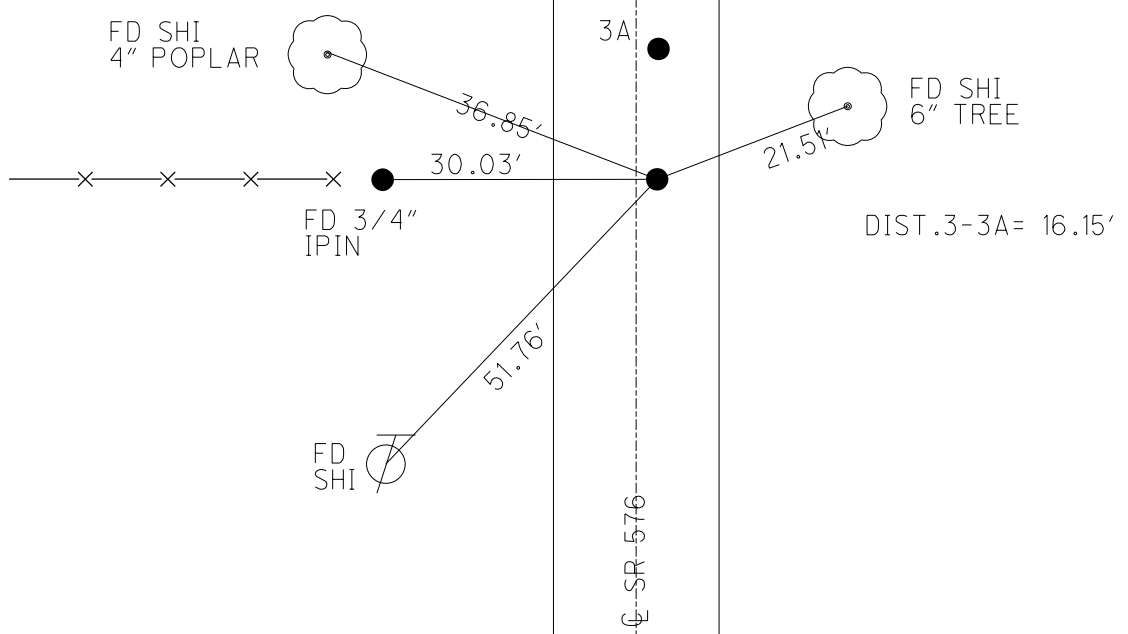
PERSONNEL \_\_\_\_\_ REFERENCE NO. 3 SHEET 8 OF 15  
 NOTES ASTON DATE 3/29/24 ROUTE SR 576  
 H.C. RHOADES WEATHER CLEAR COUNTY WILLIAMS  
 R.C. ASTON TEMP. 44° TOWNSHIP CENTER  
 SECTION 35  
 DWG BY RHOADES PID CHIP SEAL T 6 N R 2 E

TYPE MONUMENT MAG/WASHER  
 ON SURFACE - ~~BELOW~~ ON  
 OFFSET  $\bar{C}$  PAVEMENT 1.2'  $\neq$  : RT  
8.9' TO RT EDGE PAVEMENT  
 STATION: 26+43



HORZ. DATUM: NAD83 2011 GEOID: NAVD88 2018  
 GRID: NORTHING: 650922.135 EASTING: 1389356.661

RECORD:  
 SET P.K./WASHERS  
 8/24/93, MB  
 FD P.K.NAIL  
 7/06/12, DCH  
 SET P.K./WASHER  
 NEWREF7  
 7/26/12, DCH  
 FD MAG/WASHER  
 12/15/20, JMR  
 FD MAG SHANK  
 REF3  
 6/28/23,  
 3/29/24, JMR

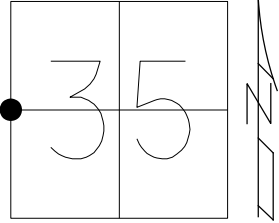




O.D.O.T. DISTRICT 2 SURVEY OFFICE (USE ONLY)

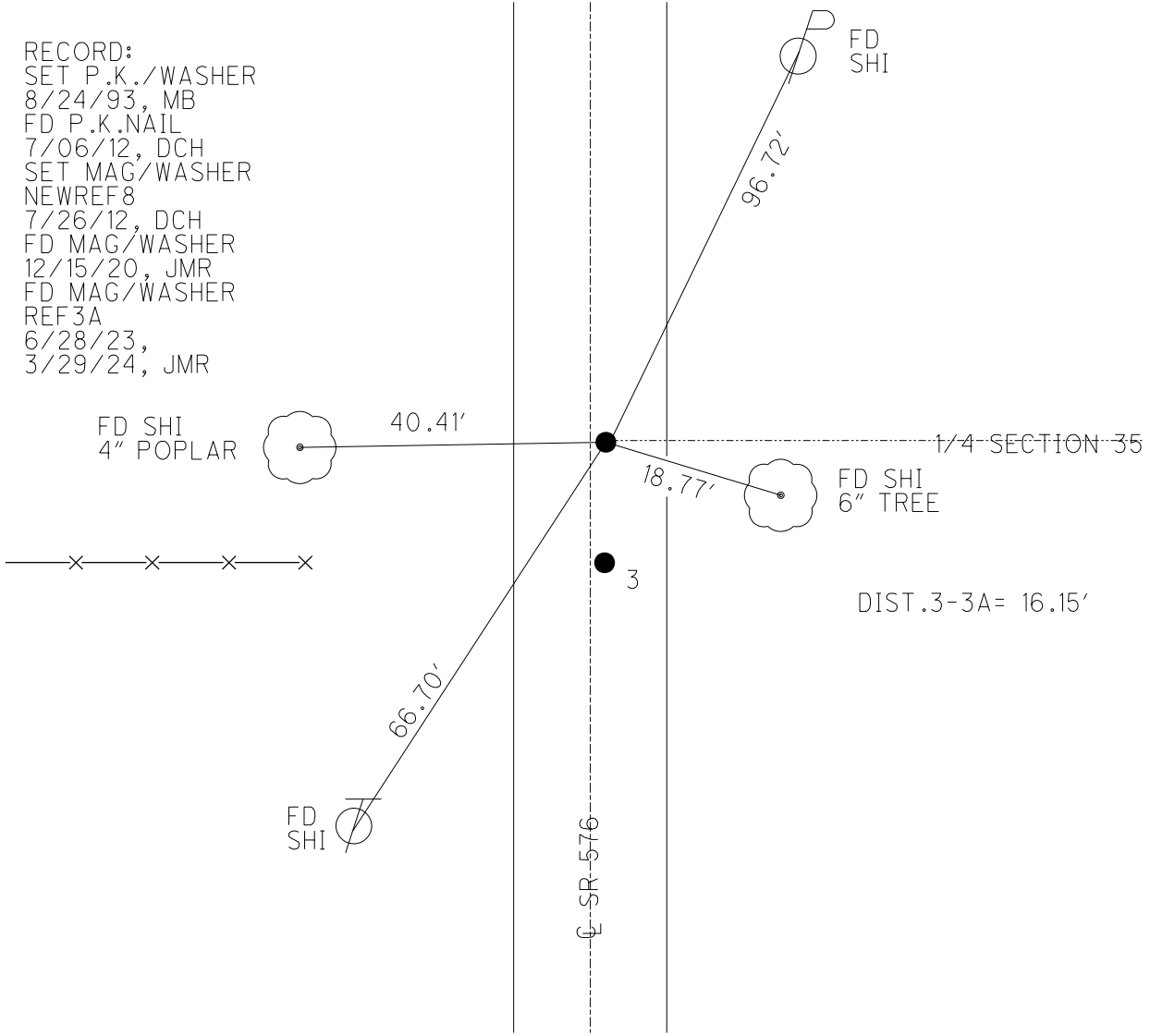
PERSONNEL \_\_\_\_\_ REFERENCE NO. 3 A SHEET 9 OF 15  
 NOTES ASTON DATE 3/29/24 ROUTE SR 576  
 H.C. RHOADES WEATHER CLEAR COUNTY WILLIAMS  
 R.C. ASTON TEMP. 44° TOWNSHIP CENTER  
 SECTION 35  
 DWG BY RHOADES PID CHIP SEAL T 6 N R 2 E

TYPE MONUMENT MAG/WASHER  
 ON SURFACE - ~~BELOW~~ ON  
 OFFSET  $\bar{C}$  PAVEMENT 1.2'  $\pm$  : RT  
8.9' TO T EDGE PAVEMENT  
 STATION: 26+59



HORZ. DATUM: NAD83 2011 GEOID: NAVD88 2018  
 GRID: NORTHING: 650938.353 EASTING: 1389376.029

RECORD:  
 SET P.K./WASHER  
 8/24/93, MB  
 FD P.K. NAIL  
 7/06/12, DCH  
 SET MAG/WASHER  
 NEWREF8  
 7/26/12, DCH  
 FD MAG/WASHER  
 12/15/20, JMR  
 FD MAG/WASHER  
 REF3A  
 6/28/23,  
 3/29/24, JMR



O.D.O.T. DISTRICT 2 SURVEY OFFICE (USE ONLY)

PERSONNEL

REFERENCE NO. 4

SHEET 10 OF 15

NOTES RHOADES DATE 12/15/20

ROUTE SR 576

H.C. O'DONNELL WEATHER FAIR

COUNTY WILLIAMS

R.C. AUBLE TEMP. 25°

TOWNSHIP CENTER

SECTION 27

DWG BY NIESE PID CHIP SEAL

T 6 N R 2 E

TYPE MONUMENT MAG/WASHER

ON SURFACE - ~~BELOW~~ ON

OFFSET  $\varnothing$  PAVEMENT ON LT : RT

- TO - EDGE PAVEMENT

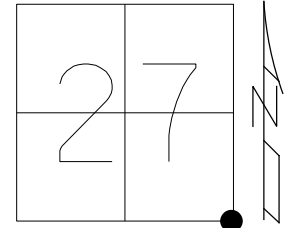
STATION: 52+80

HORZ.DATUM: NAD83 2011

GEOID: NAVD88 2018

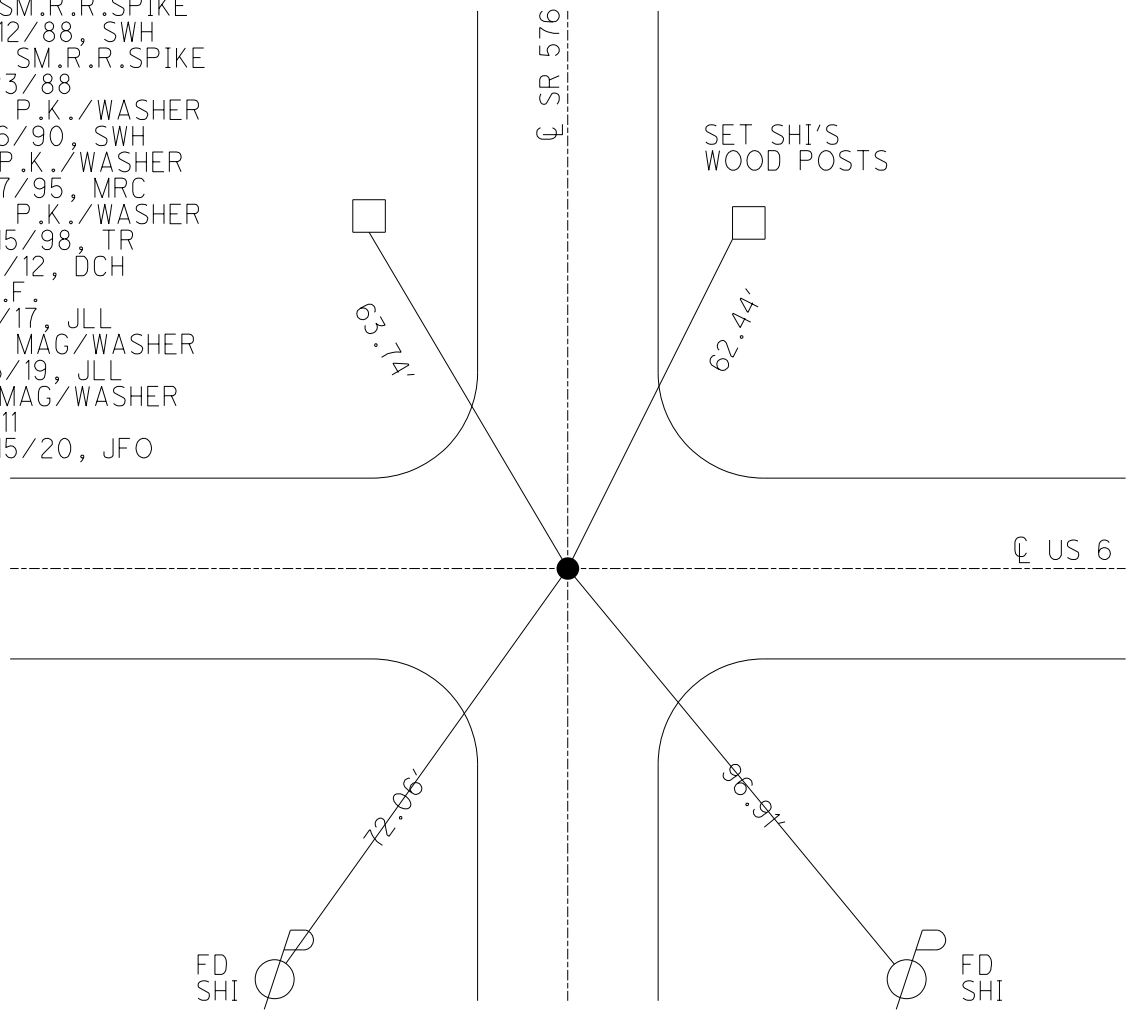
GRID: NORTHING: 653594.574

EASTING: 1389417.919



RECORD: P.I.  
 $\Delta = 0^\circ 12' 00''$  RT  
 STA. 362+67.5  
 FD SM.R.R.SPIKE  
 10/12/88, SWH  
 SET SM.R.R.SPIKE  
 11/23/88  
 SET P.K./WASHER  
 12/6/90, SWH  
 FD P.K./WASHER  
 11/17/95, MRC  
 SET P.K./WASHER  
 12/15/98, TR  
 7/6/12, DCH  
 D.N.F.  
 5/1/17, JLL  
 SET MAG/WASHER  
 11/6/19, JLL  
 FD MAG/WASHER  
 REF11  
 12/15/20, JFO

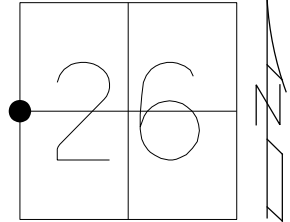
NOTE: REF 11 US 6



O.D.O.T. DISTRICT 2 SURVEY OFFICE (USE ONLY)

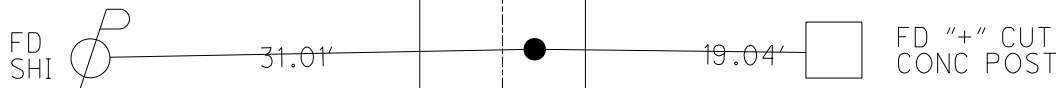
PERSONNEL \_\_\_\_\_ REFERENCE NO. 5 SHEET 11 OF 15  
 NOTES ASTON DATE 3/29/24 ROUTE SR 576  
 H.C. RHOADES WEATHER CLEAR COUNTY WILLIAMS  
 R.C. ASTON TEMP. 44° TOWNSHIP CENTER  
 \_\_\_\_\_ SECTION 26  
 DWG BY NIESE PID CHIP SEAL T 6 N R 2 E

TYPE MONUMENT P.K./WASHER  
 ON SURFACE - ~~BELOW~~ \_\_\_\_\_ ON \_\_\_\_\_  
 OFFSET  $\odot$  PAVEMENT 3.5'  $\perp$  : RT  
6.7' TO RT EDGE PAVEMENT  
 STATION: 79+59



HORIZ.DATUM: NAD83 2011 GEOID: NAVD88 2018  
 GRID: NORTHING: 656237.087 EASTING: 1389448.902

RECORD:  
 SET P.K./WASHER  
 8/24/93, MB  
 FD P.K.NAIL  
 FD LG.R.R.SPIKE  
 3" DOWN  
 7/06/12, DCH  
 SET P.K./WASHER  
 NEWREF10  
 7/26/12, DCH  
 FD P.K./WASHER  
 12/15/20, JFO  
 FD P.K./WASHER  
 REF5  
 6/28/23,  
 3/29/24, JMR

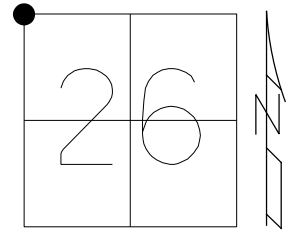


C-SR-576

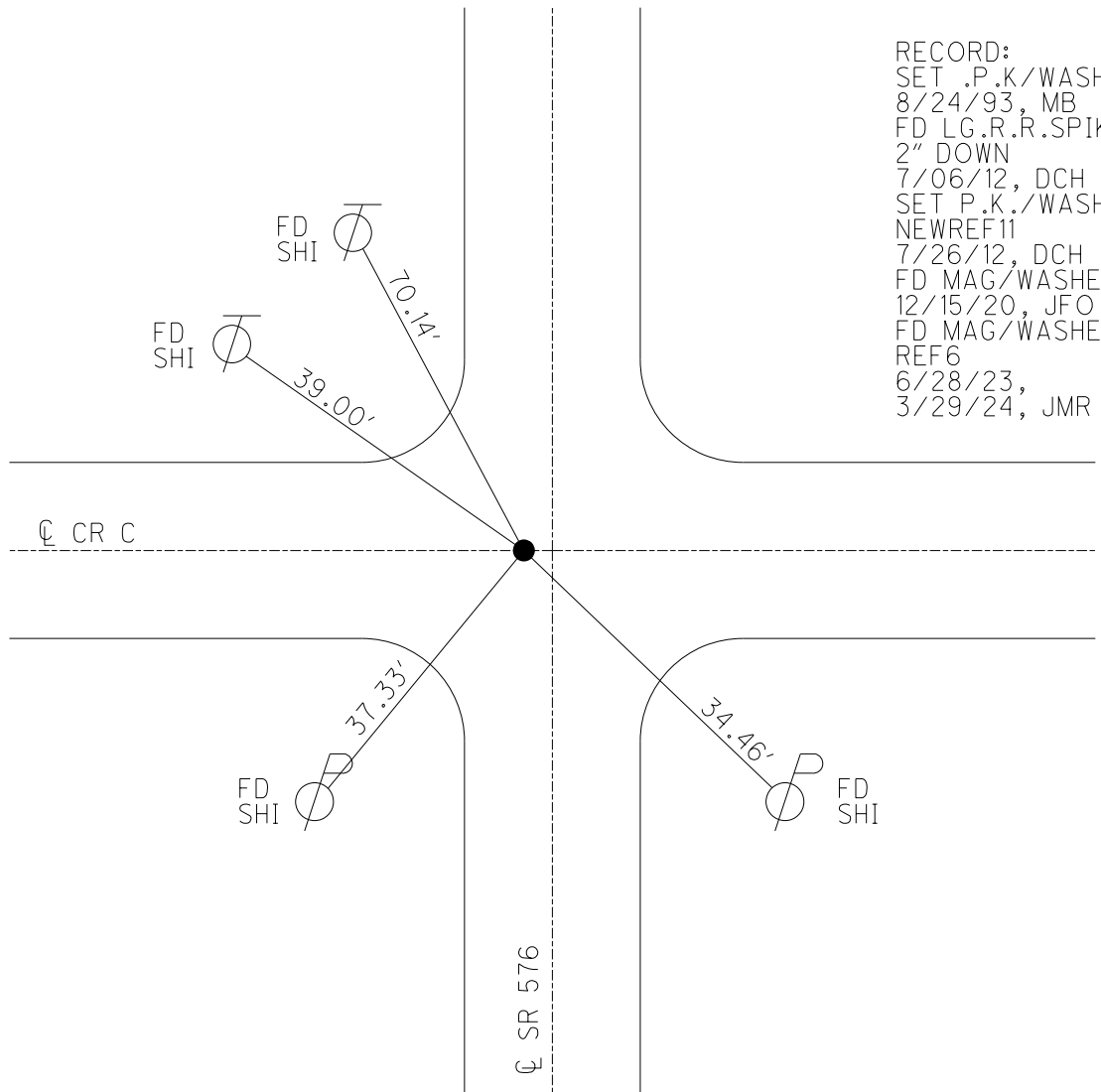
O.D.O.T. DISTRICT 2 SURVEY OFFICE (USE ONLY)

PERSONNEL \_\_\_\_\_ REFERENCE NO. 6 SHEET 12 OF 15  
 NOTES ASTON DATE 3/29/24 ROUTE SR 576  
 H.C. RHOADES WEATHER CLEAR COUNTY WILLIAMS  
 R.C. ASTON TEMP. 44° TOWNSHIP CENTER  
 DWG BY RHOADES PID CHIP SEAL SECTION 26  
 T 6 N R 2 E

TYPE MONUMENT MAG/WASHER  
 ON SURFACE - ~~BELOW~~ ON  
 OFFSET ☉ PAVEMENT 2.2' LT : ~~RT~~  
11.8' TO RT EDGE PAVEMENT  
 STATION: 105+95



HORZ. DATUM: NAD83 2011 GEOID: NAVD88 2018  
 GRID: NORTHING: 658873.924 EASTING: 1389452.737



RECORD:  
 SET .P.K./WASHER  
 8/24/93, MB  
 FD LG.R.R.SPIKE  
 2" DOWN  
 7/06/12, DCH  
 SET P.K./WASHER  
 NEWREF11  
 7/26/12, DCH  
 FD MAG/WASHER  
 12/15/20, JFO  
 FD MAG/WASHER  
 REF6  
 6/28/23,  
 3/29/24, JMR

☉ SR 576

O.D.O.T. DISTRICT 2 SURVEY OFFICE (USE ONLY)

PERSONNEL

REFERENCE NO. 6 A

SHEET 12 OF 14

NOTES RHOADES

DATE 8/5/22

ROUTE SR 576

H.C. RHOADES

WEATHER CLOUDY

COUNTY WILLIAMS

R.C. WHITAKER

TEMP. 73°

TOWNSHIP CENTER

SECTION 23

DWG BY RHOADES PID PAVETRAIN

T 6 N R 2 E

TYPE MONUMENT P.K./WASHER

ON SURFACE - ~~BELOW~~ ON

OFFSET ☉ PAVEMENT 5.2' LT : ~~RT~~

6.1' TO LT EDGE PAVEMENT

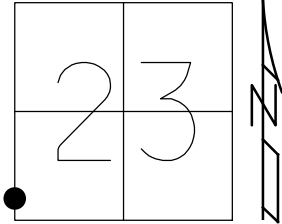
STATION: 114+30

HORIZ.DATUM: NAD83 2011

GEOID: NAVD88 2018

GRID: NORTHING: 659707.466

EASTING: 1389455.589



RECORD:  
 SET P.K./WASHER  
 8-24-93, MB  
 (REC) 834.15' SOUTH  
 TO SEC. CORNER  
 FD SM.R.R.SPIKE  
 REF12  
 7-6-12, DCH  
 SET P.K./WASHER  
 NEWREF12  
 7/26/12, DCH  
 FD P.K./WASHER  
 REFA6  
 8/5/22,  
 2/2/23, JMR

SET  
SHI

34.28'



60.60'

FD  
SHI

67.79'

FD  
SHI

☉ SR 576

O.D.O.T. DISTRICT 2 SURVEY OFFICE (USE ONLY)

PERSONNEL

REFERENCE NO. 7

SHEET 13 OF 14

NOTES RHOADES

DATE 8/5/22

ROUTE SR 576

H.C. RHOADES

WEATHER CLOUDY

COUNTY WILLIAMS

R.C. WHITAKER

TEMP. 73°

TOWNSHIP CENTER

DWG BY RHOADES PID PAVETRAIN

SECTION 23

T 6 N R 2 E

TYPE MONUMENT P.K./WASHER

ON SURFACE - ~~BELOW~~ ON

OFFSET  $\varnothing$  PAVEMENT ON LT : RT

10.1' TO LT EDGE PAVEMENT

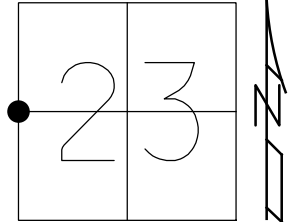
STATION: 132+36

HORZ.DATUM: NAD83 2011

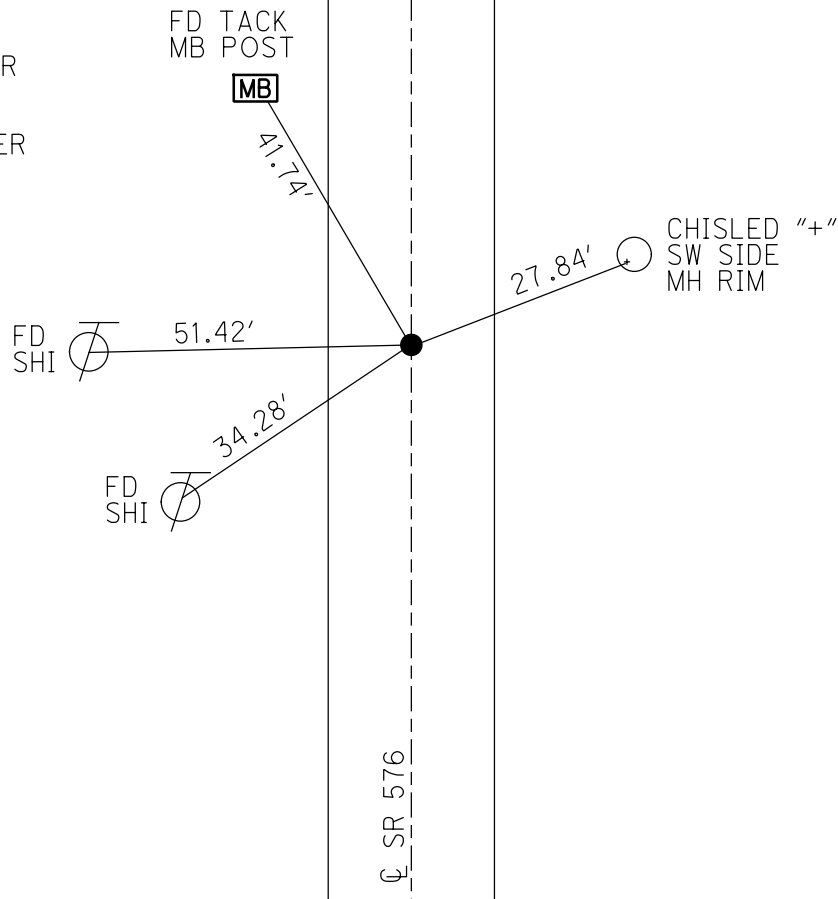
GEOID: NAVD88 2018

GRID: NORTHING: 661514.104

EASTING: 1389461.791



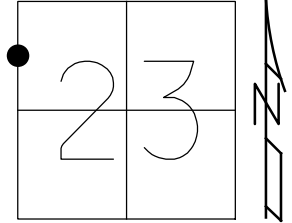
RECORD:  
 SET P.K.NAIL  
 OVER R.R.SPIKE  
 9-6-85  
 SET P.K./WASHER  
 8-24-93, MB  
 FD R.R.SPIKE  
 REF13  
 7-6-12, DCH  
 SET PK/WASHER  
 NEWREF13  
 7-26-12, DCH  
 FD P.K./WASHER  
 REF7  
 8/5/22,  
 2/2/23, JMR



O.D.O.T. DISTRICT 2 SURVEY OFFICE (USE ONLY)

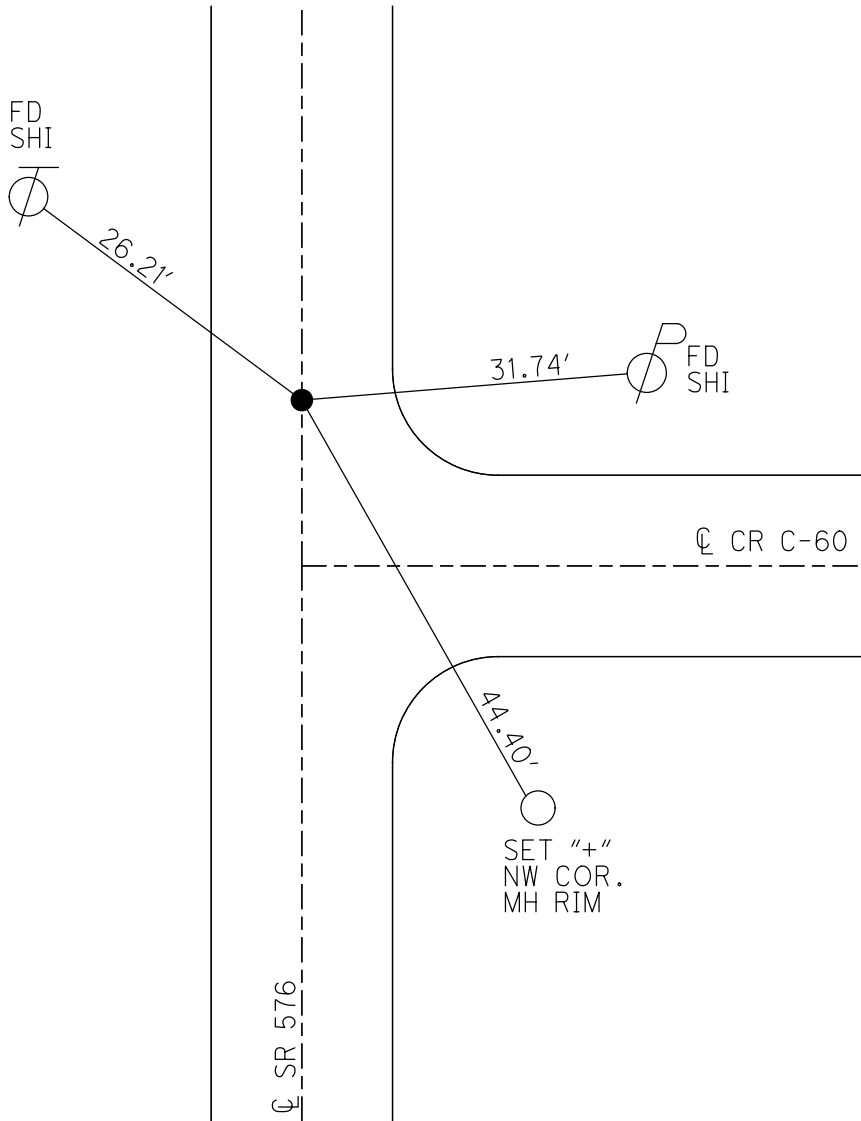
PERSONNEL \_\_\_\_\_ REFERENCE NO. 7 A SHEET 14 OF 14  
 NOTES RHOADES DATE 8/5/22 ROUTE SR 576  
 H.C. RHOADES WEATHER CLOUDY COUNTY WILLIAMS  
 R.C. WHITAKER TEMP. 73° TOWNSHIP CENTER  
 DWG BY RHOADES PID PAVETRAIN SECTION 23  
 T 6 N R 2 E

TYPE MONUMENT LG.R.R.SPIKE  
~~ON SURFACE~~ - BELOW 3"  
 OFFSET  $\varnothing$  PAVEMENT ON LT : RT  
10.6' TO RT EDGE PAVEMENT  
 STATION: 139+14



HORIZ.DATUM: NAD83 2011 GEOID: NAVD88 2018  
 GRID: NORTHING: 662191.757 EASTING: 1389464.218

RECORD:  
 FD R.R.SPIKE  
 3" DOWN  
 8/20/85  
 SET P.K./WASHER  
 8/24/93, MB  
 FD R.R.SPIKE  
 2" DOWN  
 REF14  
 7/6/12, DCH  
 SET P.K./WASHER  
 NEWREF14  
 7/26/12, DCH  
 FD LG.R.R.SPIKE  
 W/DIMPLE  
 3" DOWN  
 REFA7  
 8/5/22,  
 2/2/23, JMR



O.D.O.T. DISTRICT 2 SURVEY OFFICE (USE ONLY)

PERSONNEL

REFERENCE NO. 7 B

SHEET 1 OF 29

NOTES NIESE

DATE 3-31-21

ROUTE SR 576

H.C. AUBLE

WEATHER WINDY

COUNTY WILLIAMS

R.C. NIESE

TEMP. 39° F

TOWNSHIP CENTER

SECTION 23

DWG BY AUBLE

PID PAVETRAIN

T 6 N R 2 E

TYPE MONUMENT MONBOX W/1" IPIN

ON SURFACE - ~~BELOW~~ ON

OFFSET  $\phi$  PAVEMENT 7.6' LT : ~~RT~~

- TO - EDGE PAVEMENT

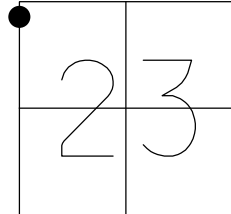
STATION: 154+99.27±

HORZ.DATUM: NAD83 2011

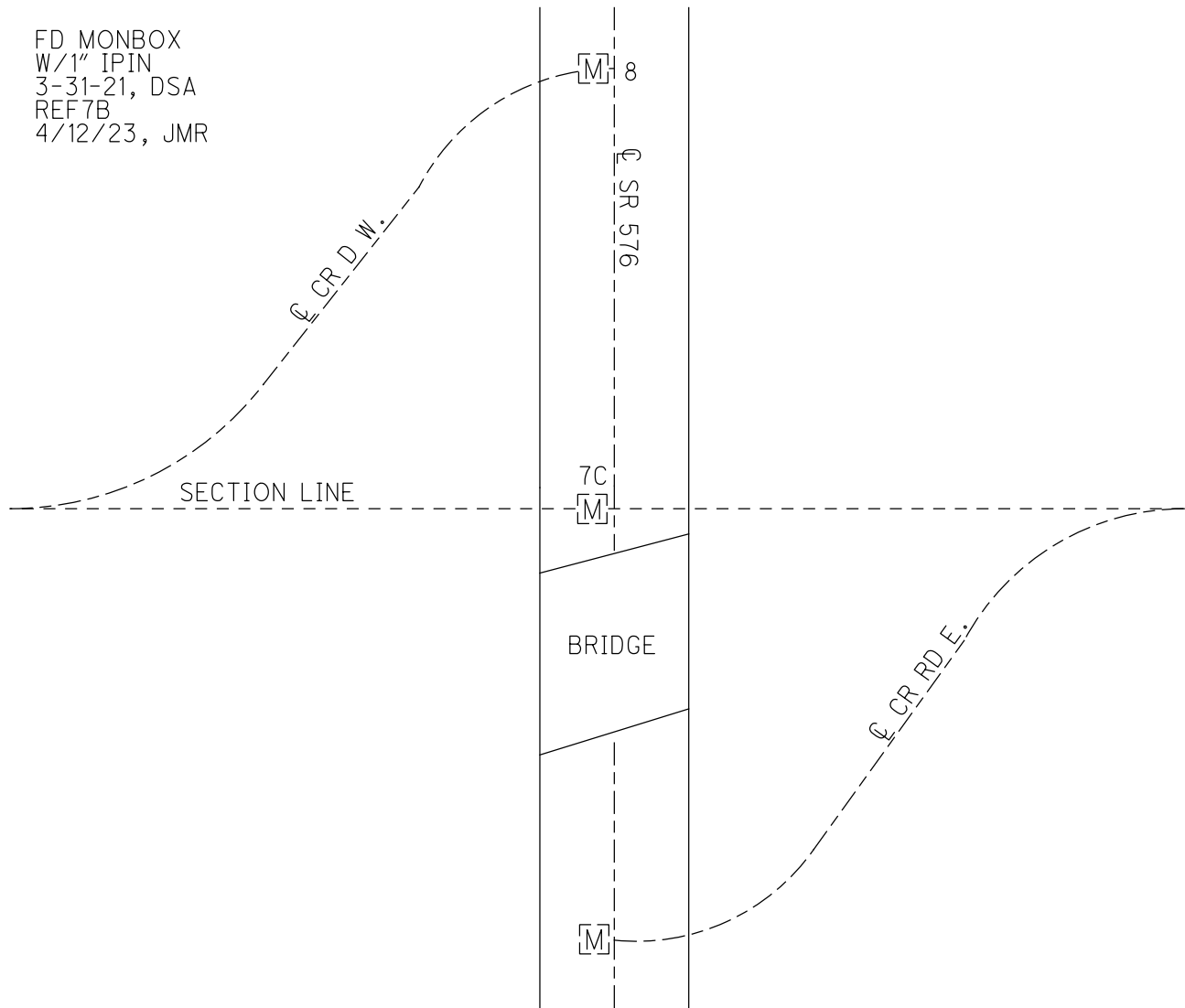
GEOID: NAVD88 2018

GRID: NORTHING: 663780.819

EASTING: 1389474.357



FD MONBOX  
W/1" IPIN  
3-31-21, DSA  
REF7B  
4/12/23, JMR

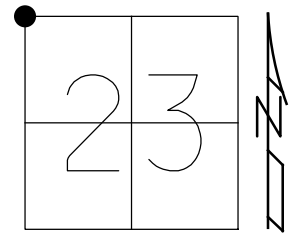




O.D.O.T. DISTRICT 2 SURVEY OFFICE (USE ONLY)

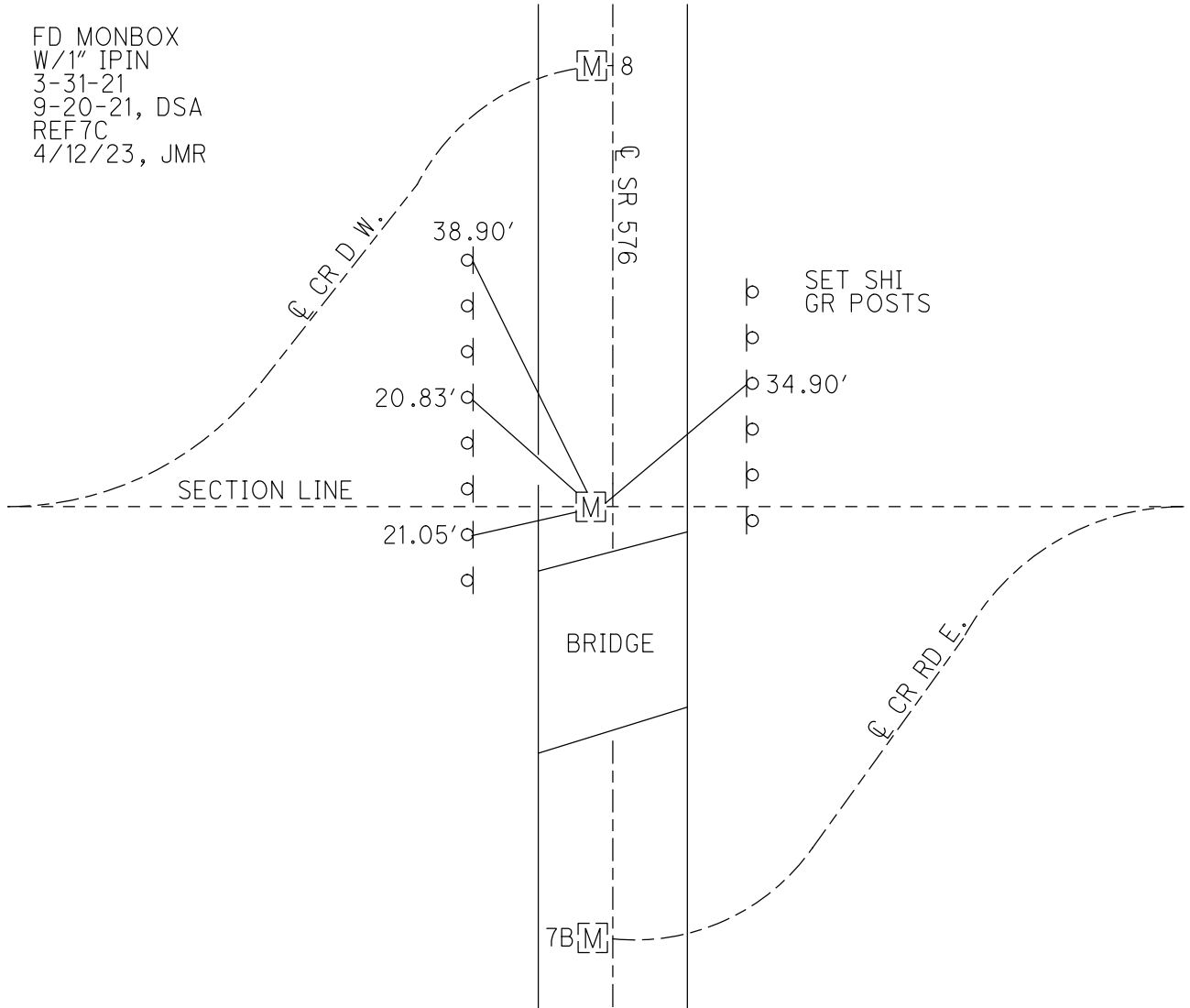
PERSONNEL \_\_\_\_\_ REFERENCE NO. 7 C SHEET 2 OF 29  
 NOTES NIESE DATE 3-31-21 ROUTE SR 576  
 H.C. AUBLE WEATHER WINDY COUNTY WILLIAMS  
 R.C. NIESE TEMP. 39° F TOWNSHIP CENTER  
 DWG BY AUBLE PID PAVETRAIN SECTION 23  
 T 6 N R 2 E

TYPE MONUMENT MONBOX W/1" IPIN  
 ON SURFACE - ~~BELOW~~ ON  
 OFFSET  $\varnothing$  PAVEMENT 7.6' LT : ~~RT~~  
- TO - EDGE PAVEMENT  
 STATION: 158+90.42



HORIZ.DATUM: NAD83 (2011) GEOID: NAVD88 2018  
 GRID: NORTHING: 664171.2236 EASTING: 1389477.771

FD MONBOX  
 W/1" IPIN  
 3-31-21  
 9-20-21, DSA  
 REF7C  
 4/12/23, JMR



O.D.O.T. DISTRICT 2 SURVEY OFFICE (USE ONLY)

PERSONNEL \_\_\_\_\_ REFERENCE NO. 8 SHEET 3 OF 29

NOTES NIESE DATE 3-31-21 ROUTE SR 576  
H.C. AUBLE WEATHER WINDY COUNTY WILLIAMS  
R.C. NIESE TEMP. 39° F TOWNSHIP CENTER

DWG BY AUBLE PID PAVETRAIN SECTION 14  
T 6 N R 2 E

TYPE MONUMENT MONBOX W/1" IPIN

ON SURFACE - ~~BELOW~~ ON

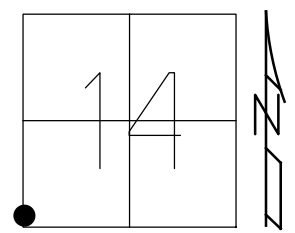
OFFSET ☉ PAVEMENT 7.6' LT : ~~RT~~

- TO - EDGE PAVEMENT

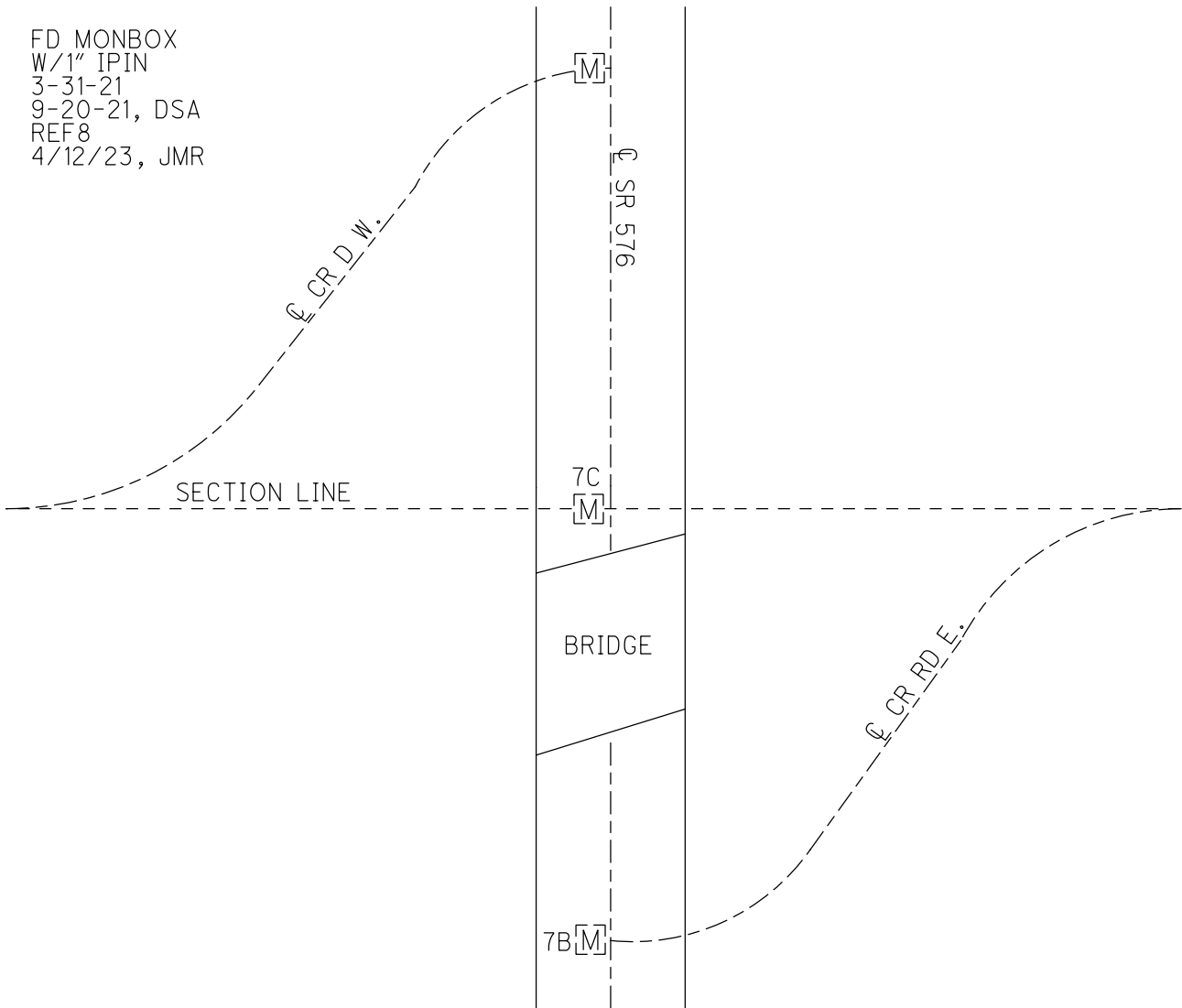
STATION: 160+80.01

HORIZ.DATUM: NAD83 (2011) GEOID: NAVD88 2018

GRID: NORTHING: 664360.709 EASTING: 1389479.382



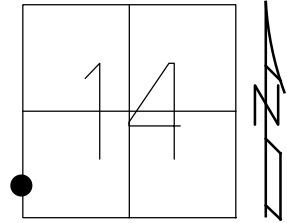
FD MONBOX  
W/1" IPIN  
3-31-21  
9-20-21, DSA  
REF8  
4/12/23, JMR



O.D.O.T. DISTRICT 2 SURVEY OFFICE (USE ONLY)

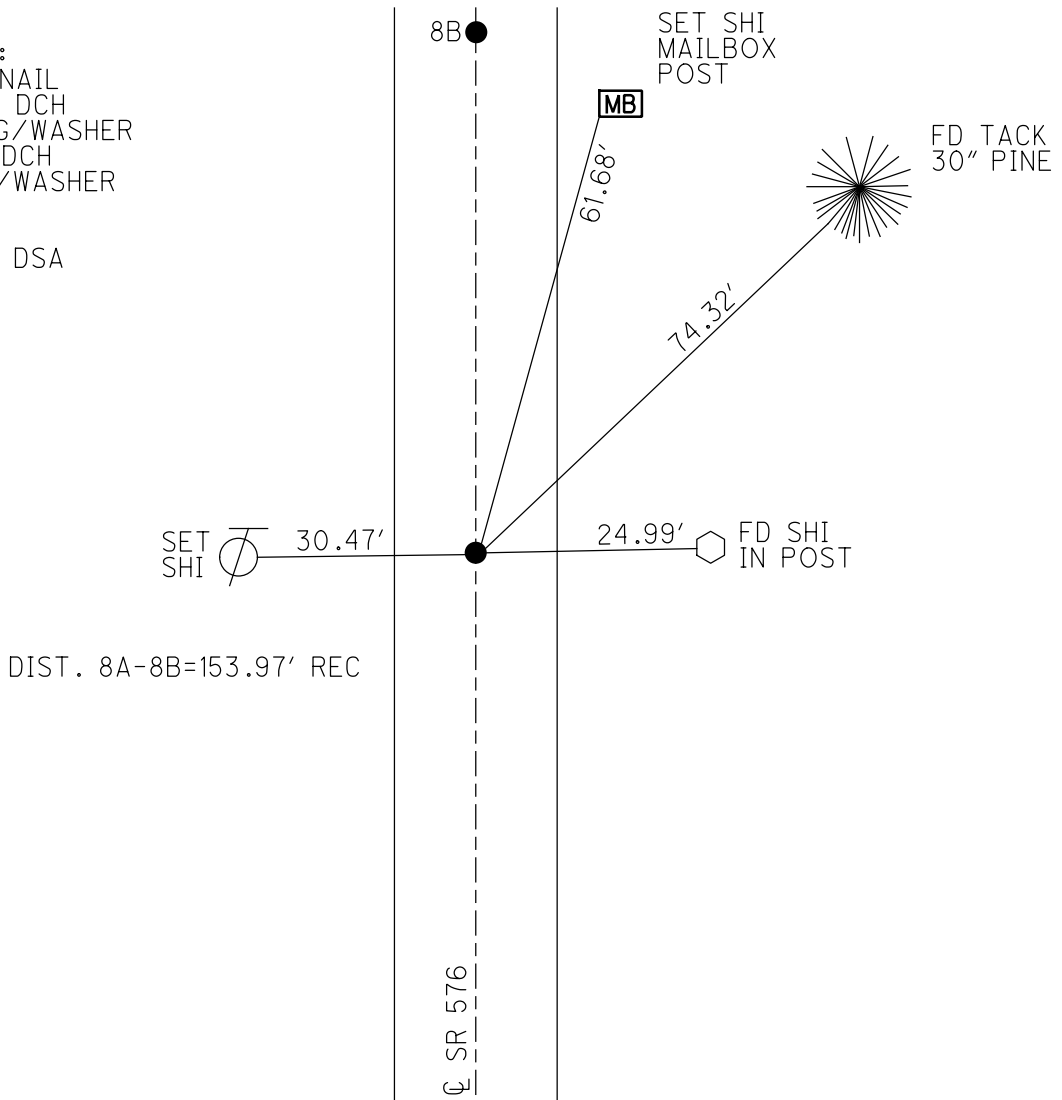
PERSONNEL \_\_\_\_\_ REFERENCE NO. 8 A SHEET 4 OF 29  
 NOTES RHOADES DATE 7-1-20 ROUTE SR 576  
 H.C. AUBLE WEATHER SUNNY COUNTY WILLIAMS  
 R.C. RHOADES TEMP. 73°F TOWNSHIP CENTER  
 DWG BY MAHLER PID PAVETRAIN SECTION 14  
 T 6 N R 2 E

TYPE MONUMENT MAG/WASHER  
 ON SURFACE - ~~BELOW~~ ON  
 OFFSET  $\odot$  PAVEMENT 1.7' LT : RT  
9.3' TO LT EDGE PAVEMENT  
 STATION: 172+19.98



HORZ.DATUM: NAD83 2011 GEOID: NAVD88 2018  
 GRID: NORTHING: 665500.581 EASTING: 1389501.405

RECORD:  
 FD P.K.NAIL  
 6/14/11, DCH  
 SET MAG/WASHER  
 8-11-11, DCH  
 FD MAG/WASHER  
 REFA8  
 7-1-20  
 9-20-21 DSA



O.D.O.T. DISTRICT 2 SURVEY OFFICE (USE ONLY)

PERSONNEL

REFERENCE NO. 8 B

SHEET 5 OF 29

NOTES RHOADES  
 H.C. AUBLE  
 R.C. RHOADES

DATE 7-1-20  
 WEATHER SUNNY  
 TEMP. 73°F

ROUTE SR 576  
 COUNTY WILLIAMS  
 TOWNSHIP CENTER  
 SECTION 14  
 T 6 N R 2 E

DWG BY MAHLER PID PAVETRAIN

TYPE MONUMENT MAG/WASHER

ON SURFACE - BELOW ON

OFFSET Q PAVEMENT 1.0' LT : RT

9.8' TO LT EDGE PAVEMENT

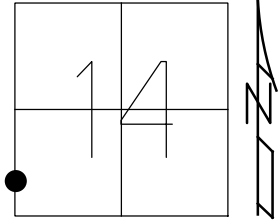
STATION: 172+73.99

HORZ. DATUM: NAD83 2011

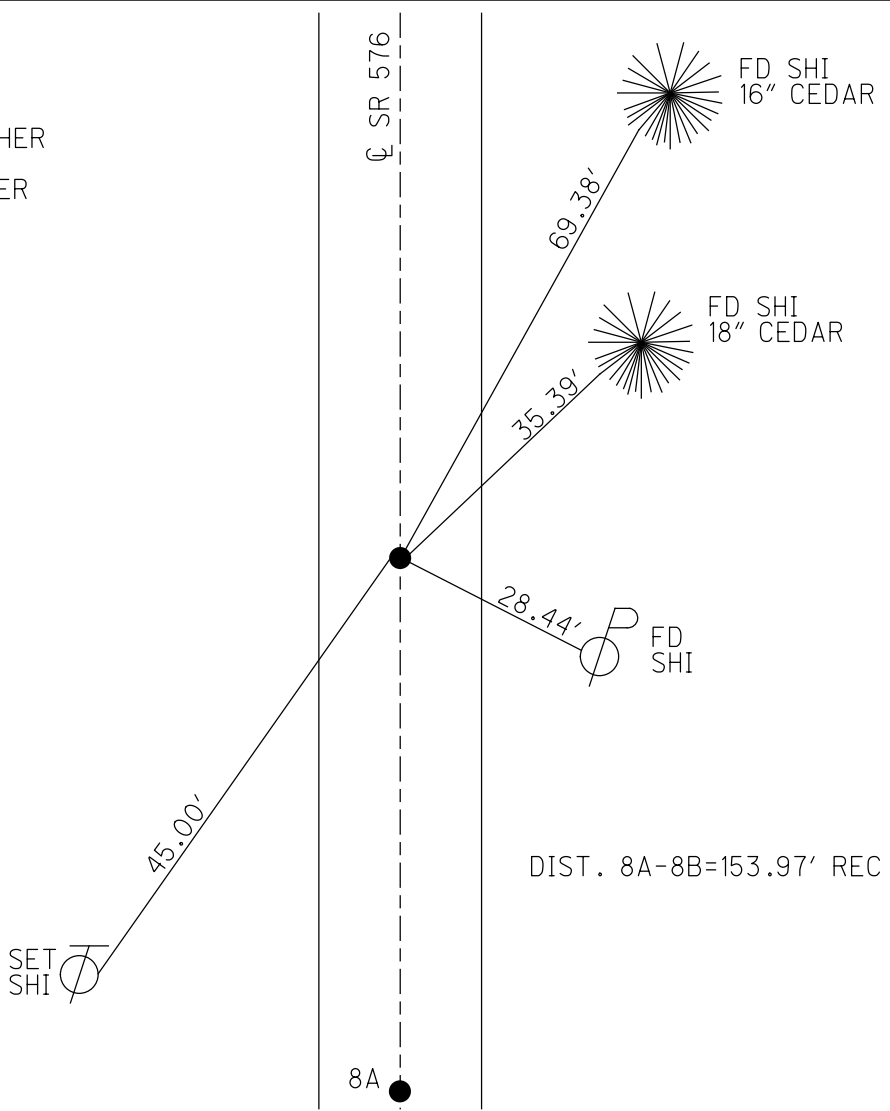
GEOID: NAVD88 2018

GRID: NORTHING: 665654.533

EASTING: 1389504.135



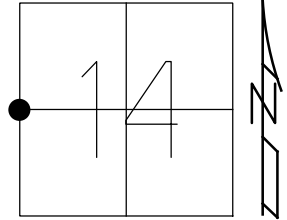
RECORD:  
 FD R.R. SPIKE  
 6/14/11, DCH  
 SET MAG/WASHER  
 8-11-11, DCH  
 FD MAG/WASHER  
 REFB8  
 7-1-20  
 9-20-21, DSA



O.D.O.T. DISTRICT 2 SURVEY OFFICE (USE ONLY)

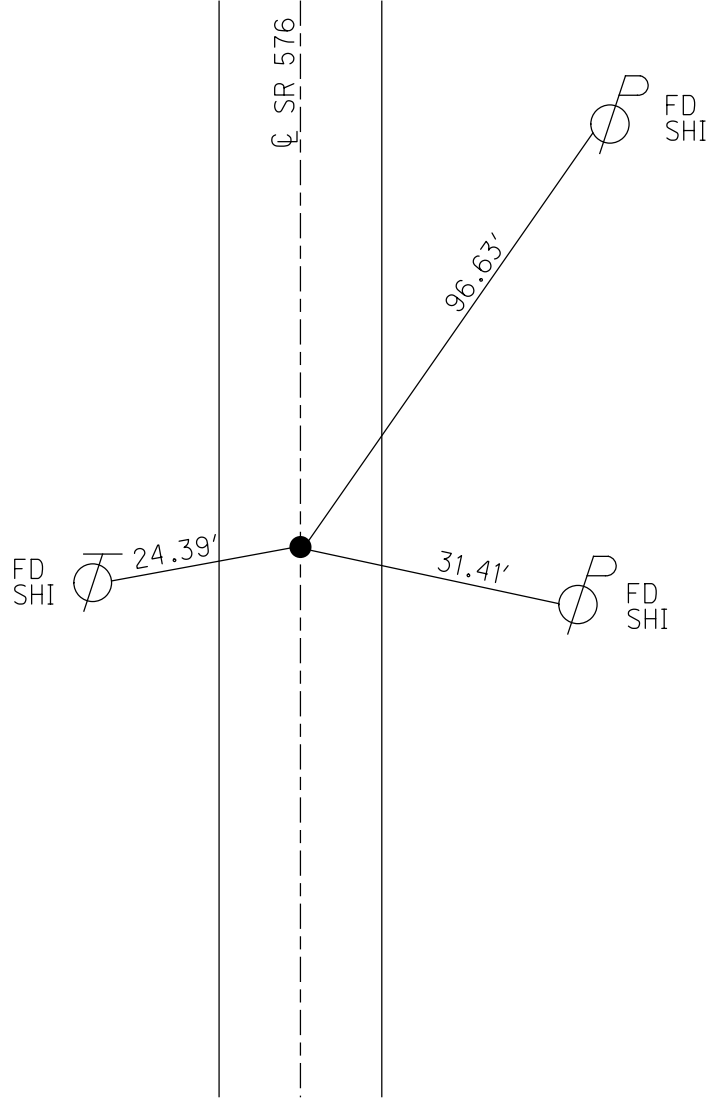
PERSONNEL \_\_\_\_\_ REFERENCE NO. 9 SHEET 6 OF 29  
 NOTES RHOADES DATE 7-1-20 ROUTE SR 576  
 H.C. AUBLE WEATHER SUNNY COUNTY WILLIAMS  
 R.C. RHOADES TEMP. 73°F TOWNSHIP CENTER  
 SECTION 14  
 DWG BY MAHLER PID PAVETRAIN T 6 N R 2 E

TYPE MONUMENT MAG/WASHER  
 ON SURFACE - ~~BELOW~~ ON  
 OFFSET Q PAVEMENT 2.6' LT : RT  
7.3' TO LT EDGE PAVEMENT  
 STATION: 185+50.10



HORIZ.DATUM: NAD83 2011 GEOID: NAVD88 2018  
 GRID: NORTHING: 666830.473 EASTING: 1389524.988

RECORD:  
 FD 1" IPIN  
 6/14/11, DCH  
 SET MAG/WASHER  
 8-11-11, DCH  
 FD MAG/WASHER  
 REF9  
 7-1-20  
 9-20-21, DSA



O.D.O.T. DISTRICT 2 SURVEY OFFICE (USE ONLY)

PERSONNEL \_\_\_\_\_

REFERENCE NO. 9 A

SHEET 7 OF 29

NOTES RHOADES

DATE 7-1-20

ROUTE SR 576

H.C. AUBLE

WEATHER SUNNY

COUNTY WILLIAMS

R.C. RHOADES

TEMP. 73°F

TOWNSHIP CENTER

SECTION 14

DWG BY MAHLER PID PAVETRAIN

T 6 N R 2 E

TYPE MONUMENT MAG/WASHER

ON SURFACE - ~~BELOW~~ ON

OFFSET  $\varnothing$  PAVEMENT 0.4' LT : RT

9.9' TO LT EDGE PAVEMENT

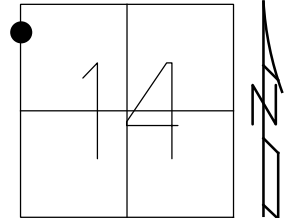
STATION: 204+35.22

HORZ.DATUM: NAD83 2011

GEOID: NAVD88 2018

GRID: NORTHING: 668715.229

EASTING: 1389562.210



RECORD:  
 FD P.K.NAIL  
 6/14/11, DCH  
 SET MAG/WASHER  
 8-11-11, DCH  
 FD MAG/WASHER  
 REFA9  
 7-1-20  
 9-20-21, DSA

SET SHI  
 24" ASH



50.60' REC

$\varnothing$  SR 576

USE BOTTOM OF  
 #1 ON ADDRESS  
 IN ROCK



44.13'

ASPHALT  
 DRIVE

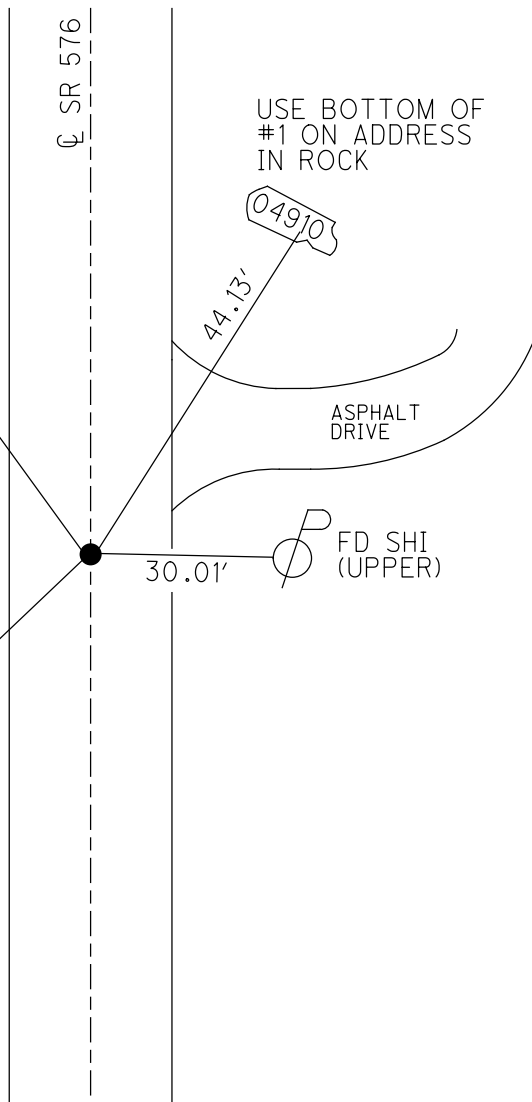
30.01'



FD SHI  
 (UPPER)

36.36'

SET  
 SHI



O.D.O.T. DISTRICT 2 SURVEY OFFICE (USE ONLY)

PERSONNEL \_\_\_\_\_

REFERENCE NO. 10

SHEET 8 OF 29

NOTES RHOADES

DATE 7-1-20

ROUTE SR 576

H.C. AUBLE

WEATHER SUNNY

COUNTY WILLIAMS

R.C. RHOADES

TEMP. 73°F

TOWNSHIP CENTER

SECTION 14

DWG BY MAHLER

PID PAVETRAIN

T 6 N R 2 E

TYPE MONUMENT MAG/WASHER

ON SURFACE - ~~BELOW~~ ON

OFFSET  $\varnothing$  PAVEMENT 3.0' LT : RT

8.0' TO LT EDGE PAVEMENT

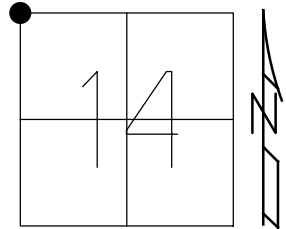
STATION: 212+04.56

HORZ.DATUM: NAD83 2011

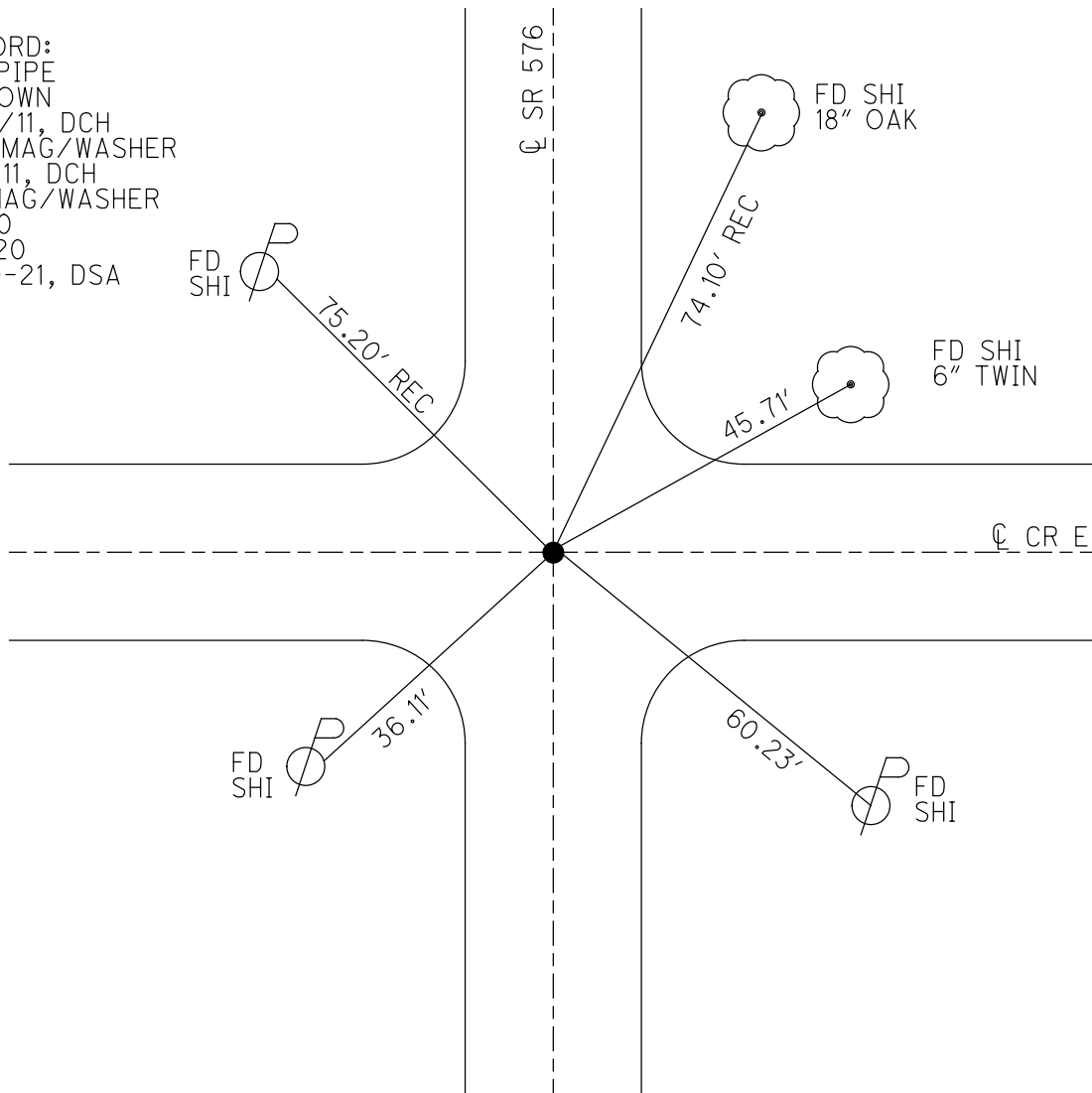
GEOID: NAVD88 2018

GRID: NORTHING: 669484.448

EASTING: 1389577.280



RECORD:  
 FD IPIPE  
 3" DOWN  
 6/14/11, DCH  
 SET MAG/WASHER  
 8-11-11, DCH  
 FD MAG/WASHER  
 REF10  
 7-1-20  
 9-20-21, DSA



O.D.O.T. DISTRICT 2 SURVEY OFFICE (USE ONLY)

PERSONNEL

REFERENCE NO. 10 AA

SHEET 9 OF 29

NOTES RHOADES

DATE 7-1-20

ROUTE SR 576

H.C. AUBLE

WEATHER SUNNY

COUNTY WILLIAMS

R.C. RHOADES

TEMP. 73°F

TOWNSHIP CENTER

SECTION 11

DWG BY MAHLER

PID PAVETRAIN

T 6 N R 2 E

TYPE MONUMENT MAG/WASHER

ON SURFACE - ~~BELOW~~ ON

OFFSET  $\odot$  PAVEMENT 0.5' LT : ~~RT~~

8.9' TO LT EDGE PAVEMENT

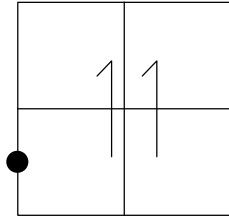
STATION: 220+04.56

HORZ.DATUM: NAD83 2011

GEOID: NAVD88 2018

GRID: NORTHING: 670292.799

EASTING: 1389603.078

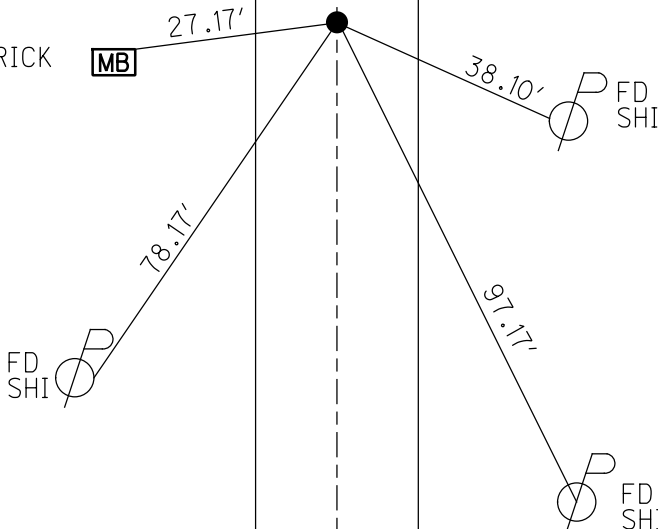


RECORD:  
 FD P.K./WASHER  
 6/14/11, DCH  
 SET MAG/WASHER  
 8-11-11, DCH  
 FD MAG/WASHER  
 REFAA10  
 7-1-20  
 9-20-21, DSA

$\odot$  SR 576

TOP 3RD BRICK  
 MB POST  
 #05141

**MB**





O.D.O.T. DISTRICT 2 SURVEY OFFICE (USE ONLY)

PERSONNEL

REFERENCE NO. 10 A

SHEET 10 OF 29

NOTES RHOADES

DATE 7-1-20

ROUTE SR 576

H.C. AUBLE

WEATHER SUNNY

COUNTY WILLIAMS

R.C. MAHLER

TEMP. 81°F

TOWNSHIP CENTER

LEU

SECTION 11

DWG BY MAHLER PID PAVETRAIN

T 6 N R 2 E

TYPE MONUMENT MAG/WASHER

ON SURFACE - ~~BELOW~~ ON

OFFSET ☉ PAVEMENT ON LT : RT

- TO - EDGE PAVEMENT

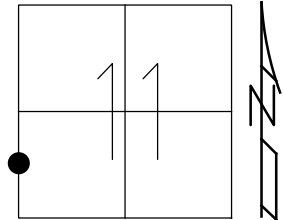
STATION: 228+88.42

HORZ.DATUM: NAD83 2011

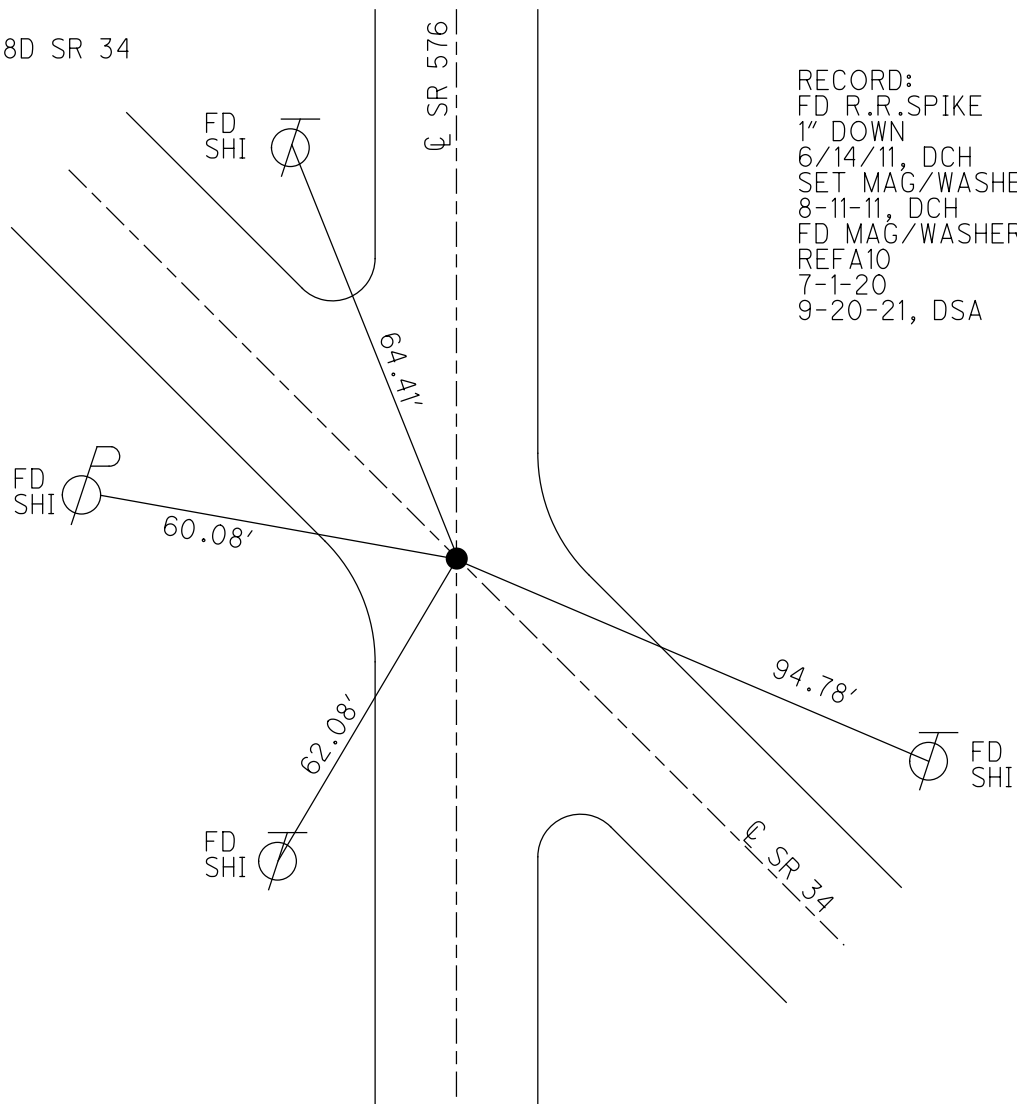
GEOID: NAVD88 2018

GRID: NORTHING: 671167.414

EASTING: 1389631.048



NOTE: REF28D SR 34



RECORD:  
 FD R.R.SPIKE  
 1" DOWN  
 6/14/11, DCH  
 SET MAG/WASHER  
 8-11-11, DCH  
 FD MAG/WASHER  
 REFA10  
 7-1-20  
 9-20-21, DSA

O.D.O.T. DISTRICT 2 SURVEY OFFICE (USE ONLY)

PERSONNEL \_\_\_\_\_ REFERENCE NO. 10 B SHEET 11 OF 29  
 NOTES RHOADES DATE 7-1-20 ROUTE SR 576  
 H.C. AUBLE WEATHER SUNNY COUNTY WILLIAMS  
 R.C. RHOADES TEMP. 81°F TOWNSHIP CENTER  
 SECTION 11  
 DWG BY MAHLER PID PAVETRAIN T 6 N R 2 E

TYPE MONUMENT MAG/WASHER

ON SURFACE - ~~BELOW~~ ON

OFFSET 8.5' TO RT PAVEMENT 1.6' ET : RT

8.5' TO RT EDGE PAVEMENT

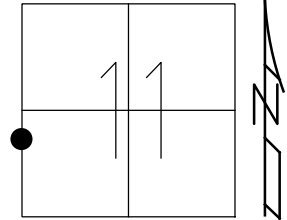
STATION: 233+64

HORIZ.DATUM: NAD83 2011

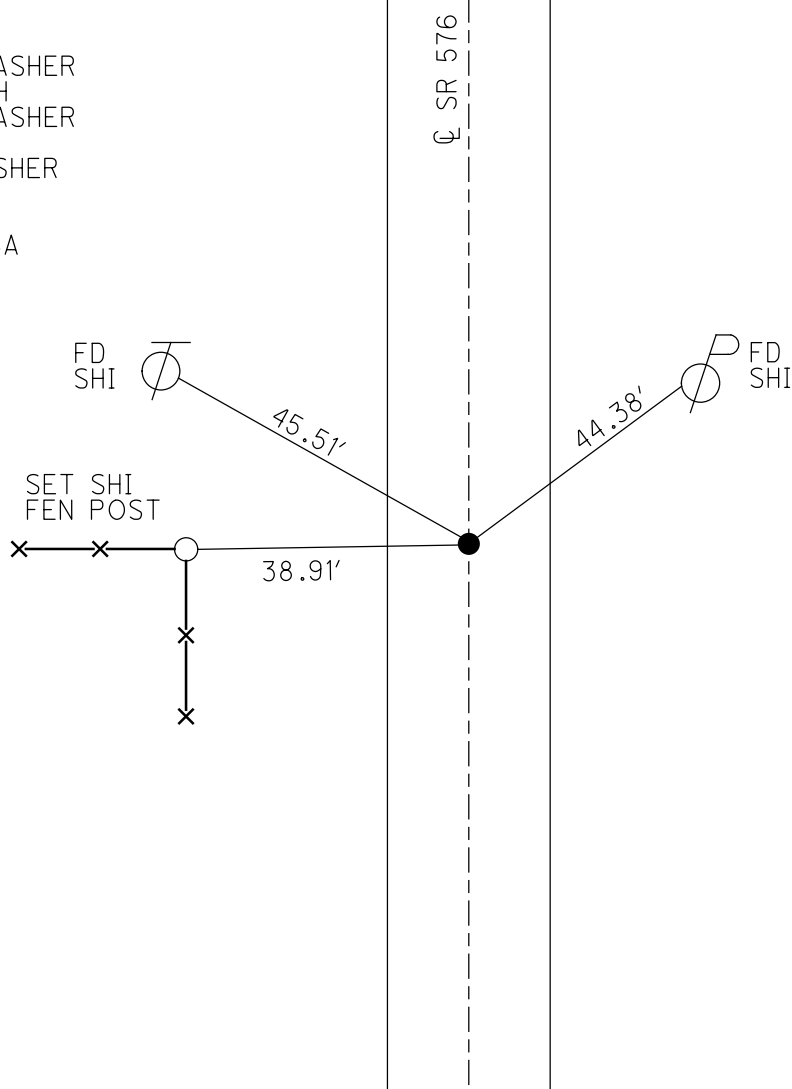
GEOID: NAVD88 2018

GRID: NORTHING: 671643.973

EASTING: 1389646.277



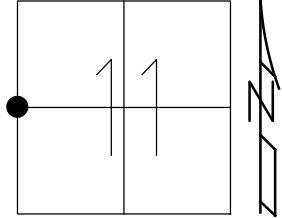
RECORD:  
 SET MAG/WASHER  
 6/14/11, DCH  
 SET MAG/WASHER  
 8-11-11, DCH  
 FD MAG/WASHER  
 REFB10  
 7-1-20  
 9-20-21, DSA



O.D.O.T. DISTRICT 2 SURVEY OFFICE (USE ONLY)

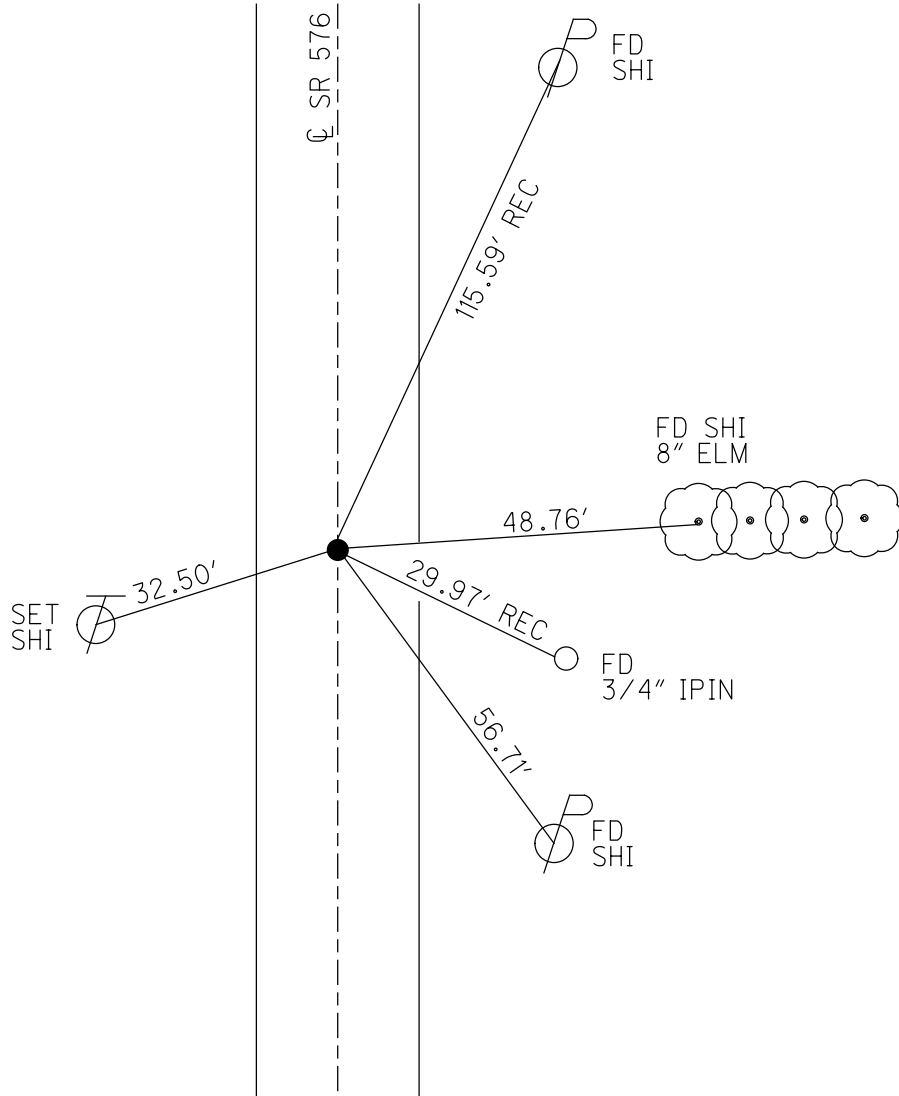
PERSONNEL \_\_\_\_\_ REFERENCE NO. 11 SHEET 12 OF 29  
 NOTES RHOADES DATE 7-1-20 ROUTE SR 576  
 H.C. AUBLE WEATHER SUNNY COUNTY WILLIAMS  
 R.C. RHOADES TEMP. 81°F TOWNSHIP CENTER  
 SECTION 11  
 DWG BY MAHLER PID PAVETRAIN T 6 N R 2 E

TYPE MONUMENT MAG/WASHER  
 ON SURFACE - ~~BELOW~~ ON  
 OFFSET  $\perp$  PAVEMENT 1.15' ~~RT~~ : RT  
8.8' TO RT EDGE PAVEMENT  
 STATION: 238+68.64



HORZ. DATUM: NAD83 2011 GEOID: NAVD88 2018  
 GRID: NORTHING: 672147.222 EASTING: 1389662.214

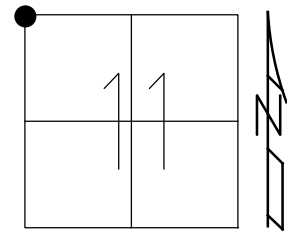
RECORD:  
 FD P.K./WASHER  
 6/14/11, DCH  
 SET MAG/WASHER  
 8-11-11, DCH  
 FD MAG/WASHER  
 REF11  
 7-1-20  
 9-20-21, DSA



O.D.O.T. DISTRICT 2 SURVEY OFFICE (USE ONLY)

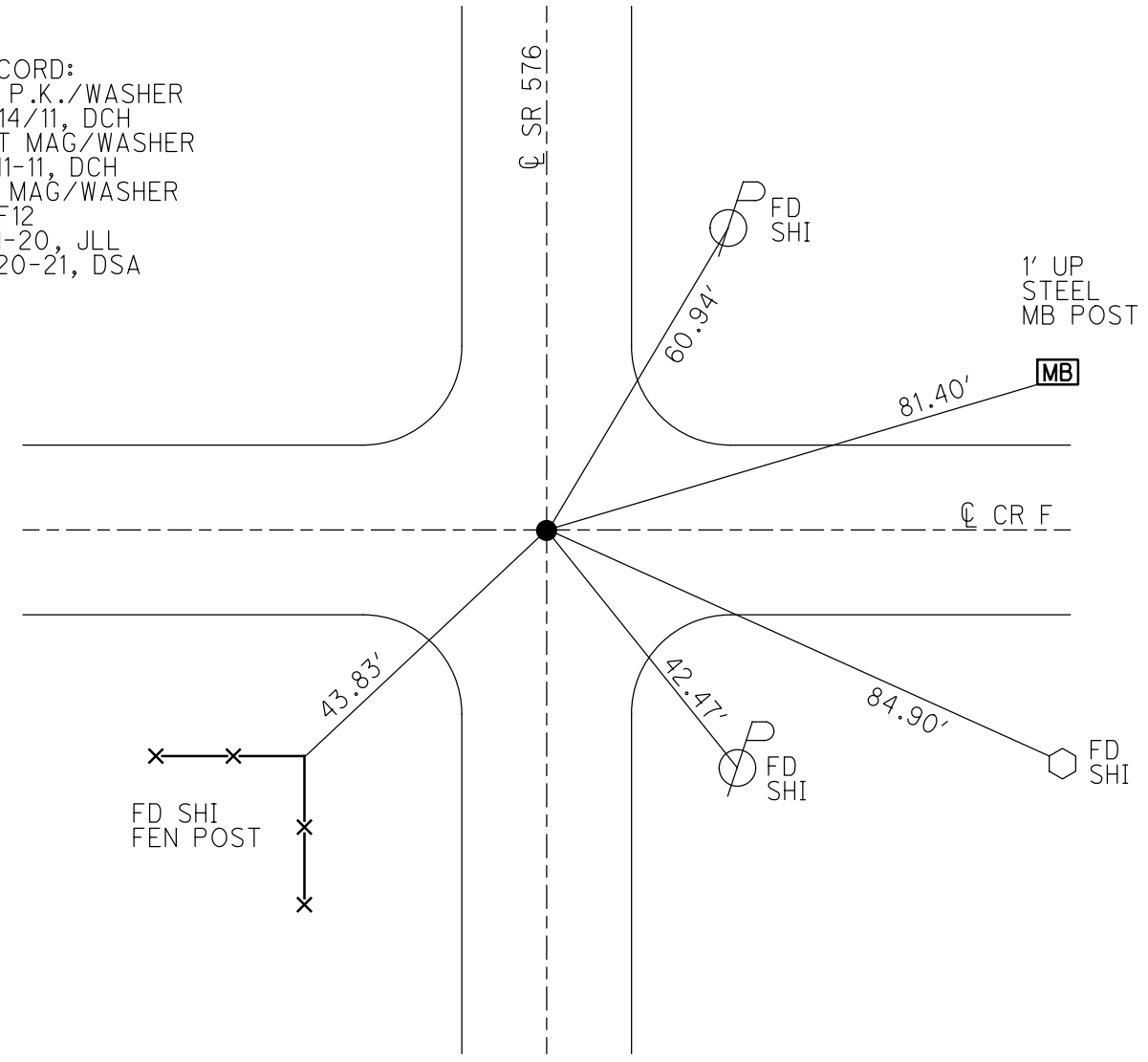
PERSONNEL \_\_\_\_\_ REFERENCE NO. 12 SHEET 13 OF 29  
 NOTES MAHLER DATE 7-1-20 ROUTE SR 576  
 H.C. LEU WEATHER SUNNY COUNTY WILLIAMS  
 R.C. MAHLER TEMP. 75°F TOWNSHIP CENTER  
 SECTION 11  
 DWG BY MAHLER PID PAVETRAIN T 6 N R 2 E

TYPE MONUMENT MAG/WASHER  
 ON SURFACE - ~~BELOW~~ ON  
 OFFSET CL PAVEMENT 0.5' LT : ~~RT~~  
14.2' TO RT EDGE PAVEMENT  
 STATION: 265+28.51



HORZ. DATUM: NAD83 2011 GEOID: NAVD88 2018  
 GRID: NORTHING: 674806.307 EASTING: 1389728.739

RECORD:  
 FD P.K./WASHER  
 6/14/11, DCH  
 SET MAG/WASHER  
 8-11-11, DCH  
 FD MAG/WASHER  
 REF12  
 7-1-20, JLL  
 9-20-21, DSA



O.D.O.T. DISTRICT 2 SURVEY OFFICE (USE ONLY)

PERSONNEL \_\_\_\_\_ REFERENCE NO. 13 SHEET 14 OF 29

NOTES MAHLER DATE 7-1-20 ROUTE SR 576  
 H.C. LEU WEATHER SUNNY COUNTY WILLIAMS  
 R.C. MAHLER TEMP. 75°F TOWNSHIP CENTER  
 SECTION 2

DWG BY MAHLER PID PAVETRAIN T 6 N R 2 E

TYPE MONUMENT MAG/WASHER

ON SURFACE - ~~BELOW~~ ON

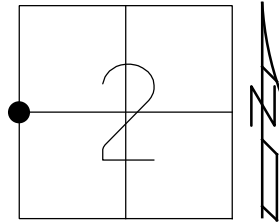
OFFSET 0 PAVEMENT ON LT : RT

10' TO RT EDGE PAVEMENT

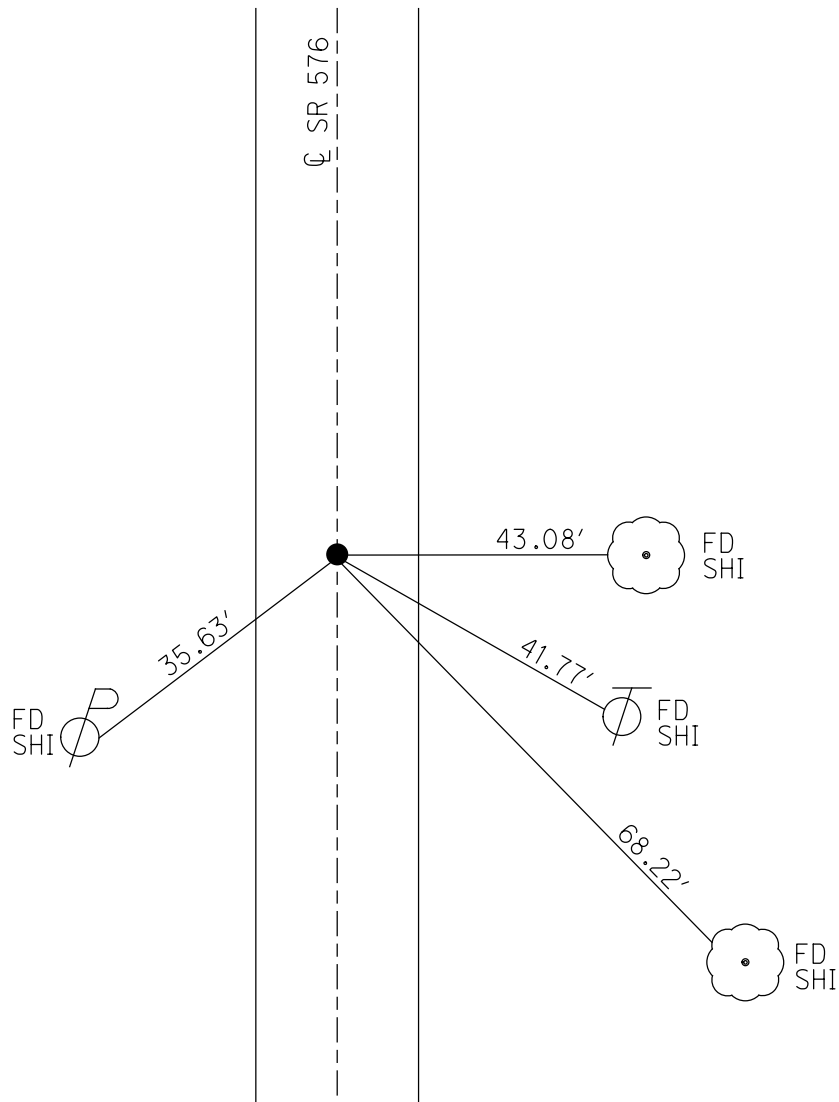
STATION: 291+22.22

HORZ. DATUM: NAD83 2011 GEOID: NAVD88 2018

GRID: NORTHING: 677399.331 EASTING: 1389783.386



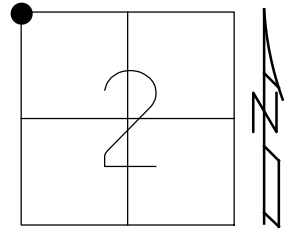
RECORD:  
 FD P.K.NAIL  
 6/14/11, DCH  
 SET MAG/WASHER  
 8-11-11, DCH  
 FD MAG/WASHER  
 REF13  
 7-1-20  
 9-20-21, DSA



O.D.O.T. DISTRICT 2 SURVEY OFFICE (USE ONLY)

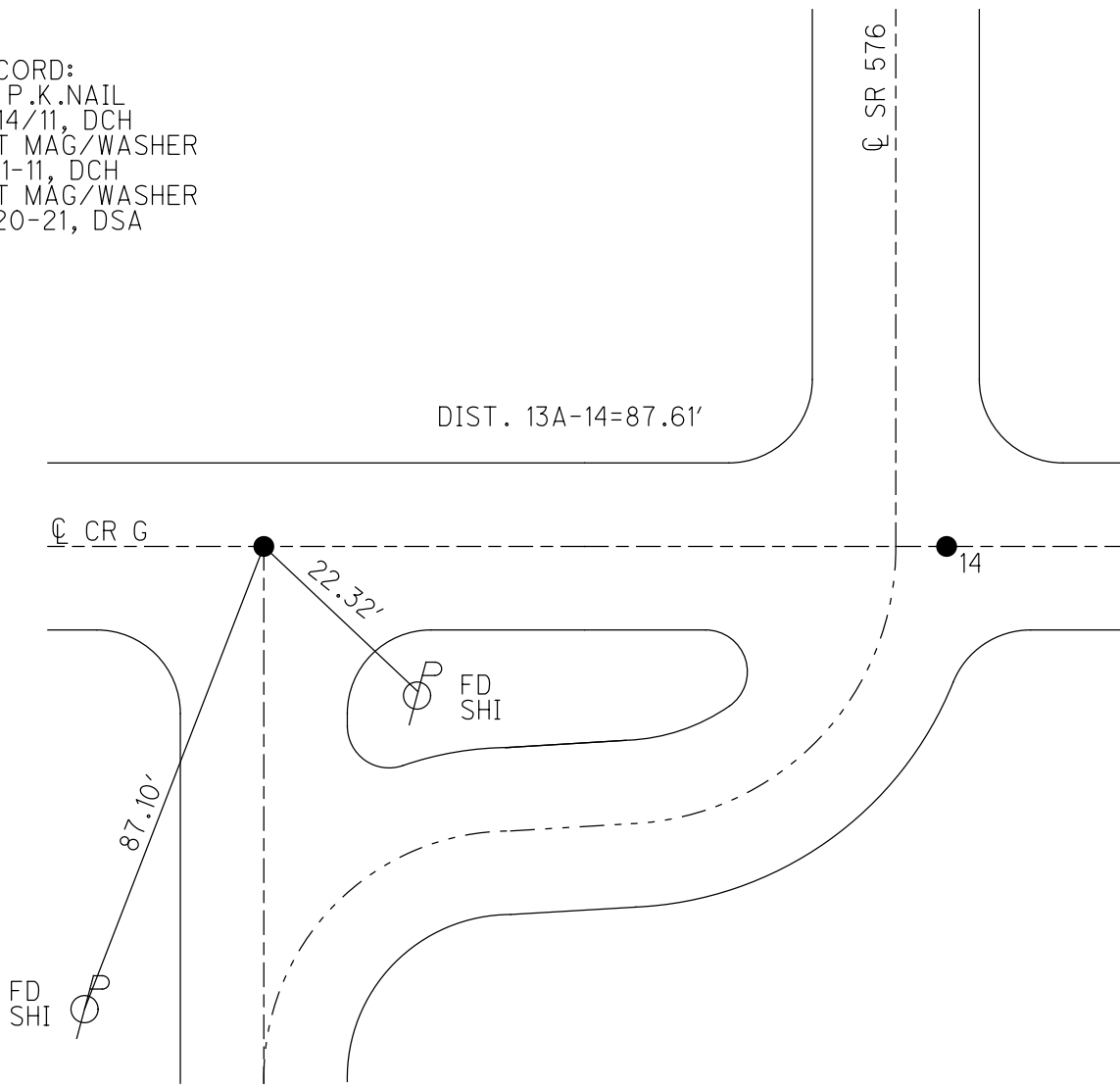
PERSONNEL \_\_\_\_\_ REFERENCE NO. 13 A SHEET 15 OF 29  
 NOTES HOMAN DATE 6-14-11 ROUTE SR 576  
 H.C. ROUSOS WEATHER SUNNY COUNTY WILLIAMS  
 R.C. HOMAN TEMP. 80°F TOWNSHIP CENTER  
 \_\_\_\_\_ SECTION 2  
 DWG BY MAHLER PID PAVETRAIN T 6 N R 2 E

TYPE MONUMENT MAG/WASHER  
 ON SURFACE - ~~BELOW~~ ON  
 OFFSET CL PAVEMENT 67.7' LT : RT  
- TO - EDGE PAVEMENT  
 STATION: 317+21.40



HORIZ.DATUM: NAD83 2011 GEOID: NAVD88 2018  
 GRID: NORTHING: 679998.134 EASTING: 1389831.082

RECORD:  
 FD P.K.NAIL  
 6/14/11, DCH  
 SET MAG/WASHER  
 8-11-11, DCH  
 SET MAG/WASHER  
 9-20-21, DSA



O.D.O.T. DISTRICT 2 SURVEY OFFICE (USE ONLY)

PERSONNEL

REFERENCE NO. 14

SHEET 16 OF 29

NOTES MAHLER

DATE 7-1-20

ROUTE SR 576

H.C. LEU

WEATHER SUNNY

COUNTY WILLIAMS

R.C. MAHLER

TEMP. 75°F

TOWNSHIP CENTER

SECTION 2

DWG BY MAHLER PID PAVETRAIN

T 6 N R 2 E

TYPE MONUMENT MAG/WASHER

ON SURFACE - ~~BELOW~~ ON

OFFSET  $\odot$  PAVEMENT 19.7' ~~ET~~ : RT

- TO - EDGE PAVEMENT

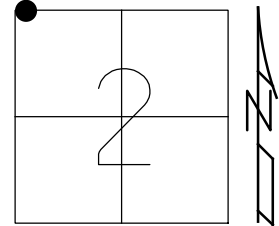
STATION: 317+21.40

HORZ. DATUM: NAD83 2011

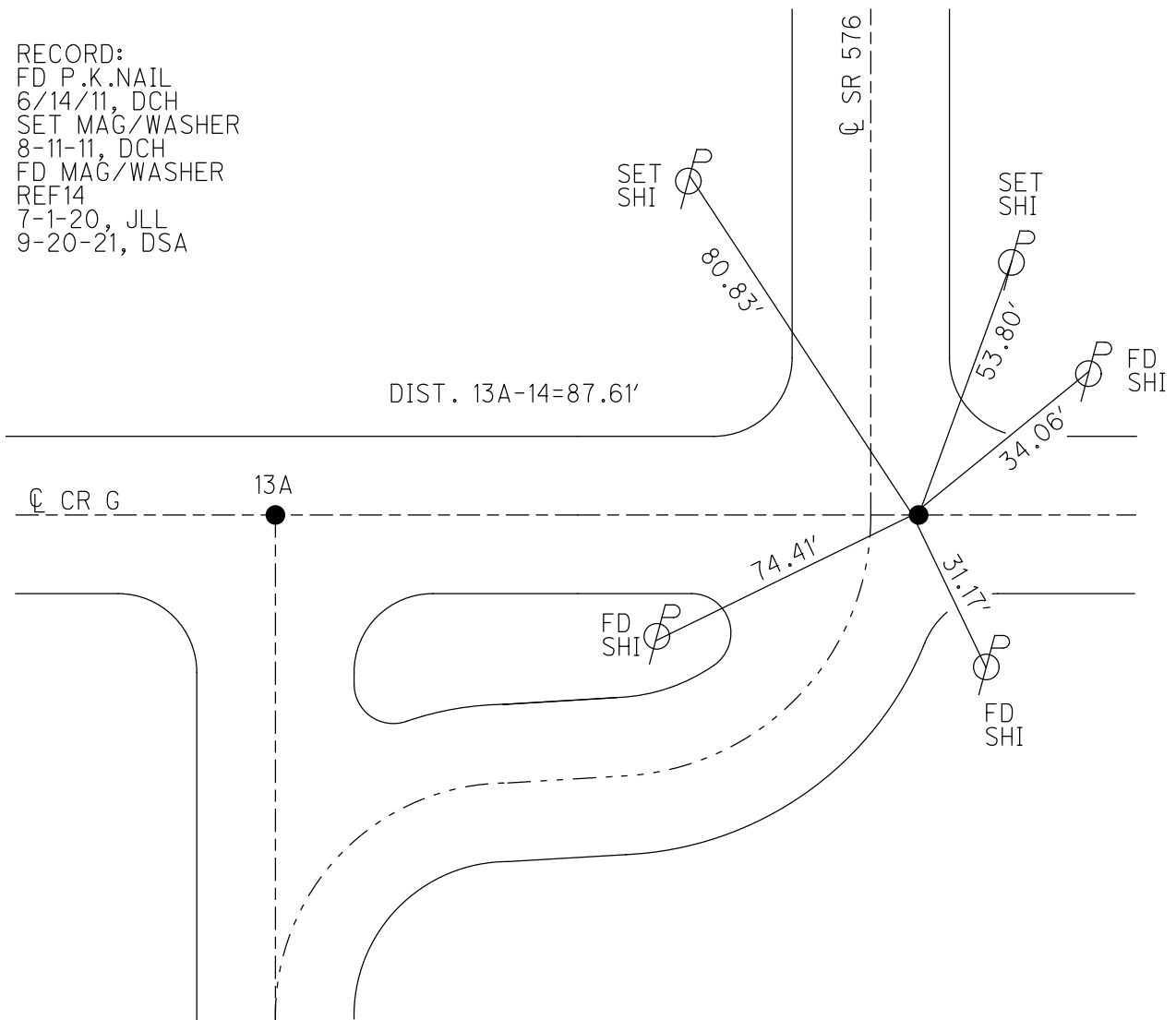
GEOID: NAVD88 2018

GRID: NORTHING: 679996.356

EASTING: 1389918.692



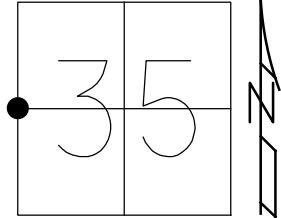
RECORD:  
 FD P.K.NAIL  
 6/14/11, DCH  
 SET MAG/WASHER  
 8-11-11, DCH  
 FD MAG/WASHER  
 REF14  
 7-1-20, JLL  
 9-20-21, DSA



O.D.O.T. DISTRICT 2 SURVEY OFFICE (USE ONLY)

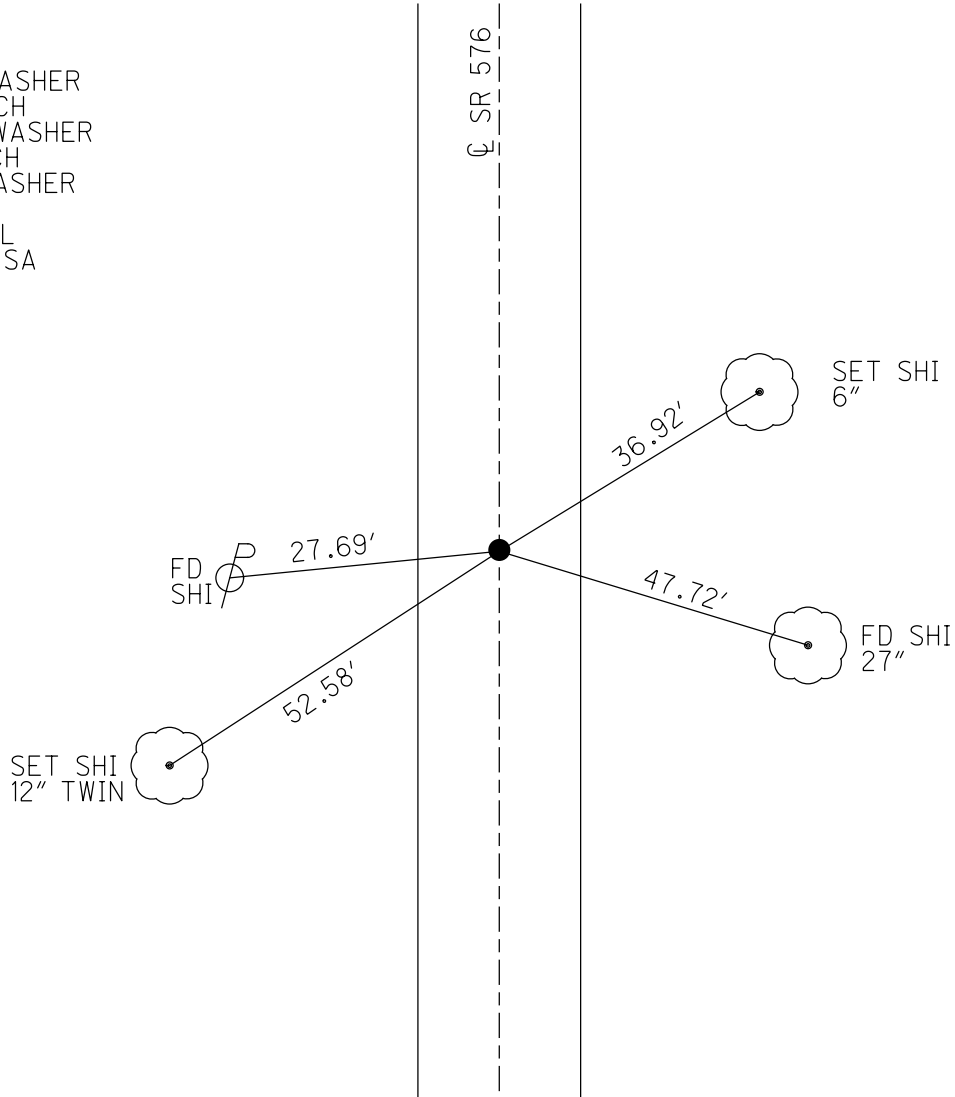
PERSONNEL \_\_\_\_\_ REFERENCE NO. 14 A SHEET 17 OF 29  
 NOTES MAHLER DATE 7-1-20 ROUTE SR 576  
 H.C. LEU WEATHER SUNNY COUNTY WILLIAMS  
 R.C. MAHLER TEMP. 75°F TOWNSHIP SUPERIOR  
 DWG BY MAHLER PID PAVETRAIN SECTION 35  
 T 6 N R 2 E

TYPE MONUMENT MAG/WASHER  
 ON SURFACE - ~~BELOW~~ ON  
 OFFSET  $\odot$  PAVEMENT 0.8' LT : RT  
8.7' TO LT EDGE PAVEMENT  
 STATION: 344+28.00



HORZ. DATUM: NAD83 2011 GEOID: NAVD88 2018  
 GRID: NORTHING: 682615.093 EASTING: 1389964.542

RECORD:  
 FD P.K./WASHER  
 6/14/11, DCH  
 SET MAG/WASHER  
 8-19-11, DCH  
 FD MAG/WASHER  
 REFA14  
 7-1-20, JLL  
 9-20-21, DSA

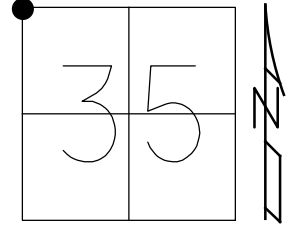




O.D.O.T. DISTRICT 2 SURVEY OFFICE (USE ONLY)

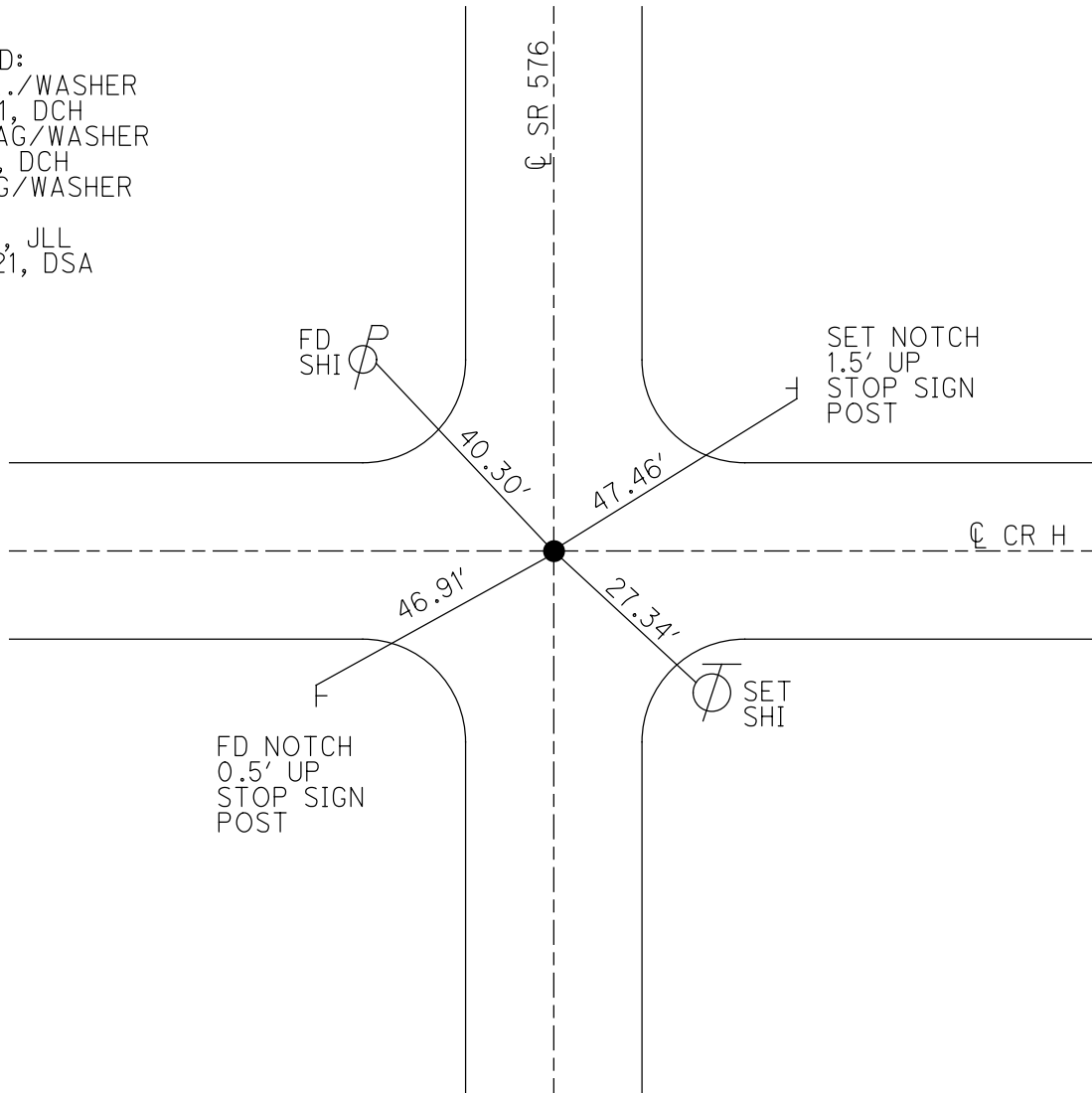
PERSONNEL \_\_\_\_\_ REFERENCE NO. 15 SHEET 18 OF 29  
 NOTES MAHLER DATE 7-1-20 ROUTE SR 576  
 H.C. LEU WEATHER SUNNY COUNTY WILLIAMS  
 R.C. MAHLER TEMP. 75°F TOWNSHIP SUPERIOR  
 DWG BY MAHLER PID PAVETRAIN SECTION 35  
 T 6 N R 2 E

TYPE MONUMENT MAG/WASHER  
 ON SURFACE - ~~BELOW~~ ON  
 OFFSET 9' TO LT PAVEMENT 0.3' LT : RT  
 STATION: 370+82.23



HORZ.DATUM: NAD83 2011 GEOID: NAVD88 2018  
 GRID: NORTHING: 685268.820 EASTING: 1390011.114

RECORD:  
 FD P.K./WASHER  
 6/14/11, DCH  
 SET MAG/WASHER  
 8-11-11, DCH  
 FD MAG/WASHER  
 REF15  
 7-1-20, JLL  
 9-20-21, DSA



FD NOTCH  
 0.5' UP  
 STOP SIGN  
 POST

O.D.O.T. DISTRICT 2 SURVEY OFFICE (USE ONLY)

PERSONNEL

REFERENCE NO. 15 A

SHEET 19 OF 29

NOTES NIESE DATE 3-31-21  
 H.C. AUBLE WEATHER WINDY  
 R.C. NIESE TEMP. 70° F

ROUTE SR 576  
 COUNTY WILLIAMS  
 TOWNSHIP SUPERIOR  
 SECTION 26

DWG BY AUBLE PID PAVETRAIN

T 7 N R 2 E

TYPE MONUMENT MAG/WASHER

ON SURFACE - ~~BELOW~~ ON

OFFSET ☉ PAVEMENT ON LT : RT

8.7' TO LT EDGE PAVEMENT

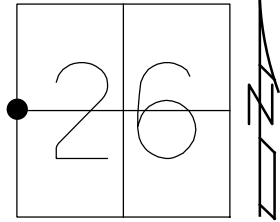
STATION: 397+25.26

HORZ.DATUM: NAD83 (2011)

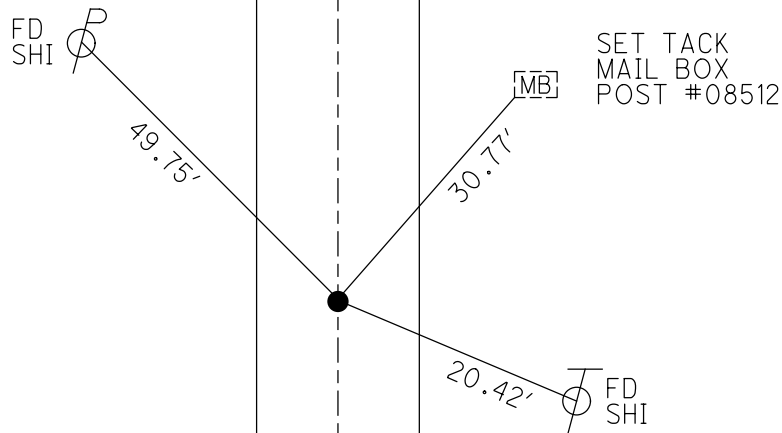
GEOID: NAVD88 2018

GRID: NORTHING: 687911.297

EASTING: 1390067.707



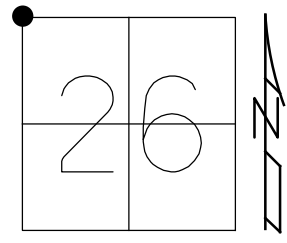
RECORD:  
 SET MAG/WASHER  
 8-11-11, DCH  
 FD MAG/WASHER  
 REFA15  
 3-31-21, DSA  
 9-20-21, DSA



O.D.O.T. DISTRICT 2 SURVEY OFFICE (USE ONLY)

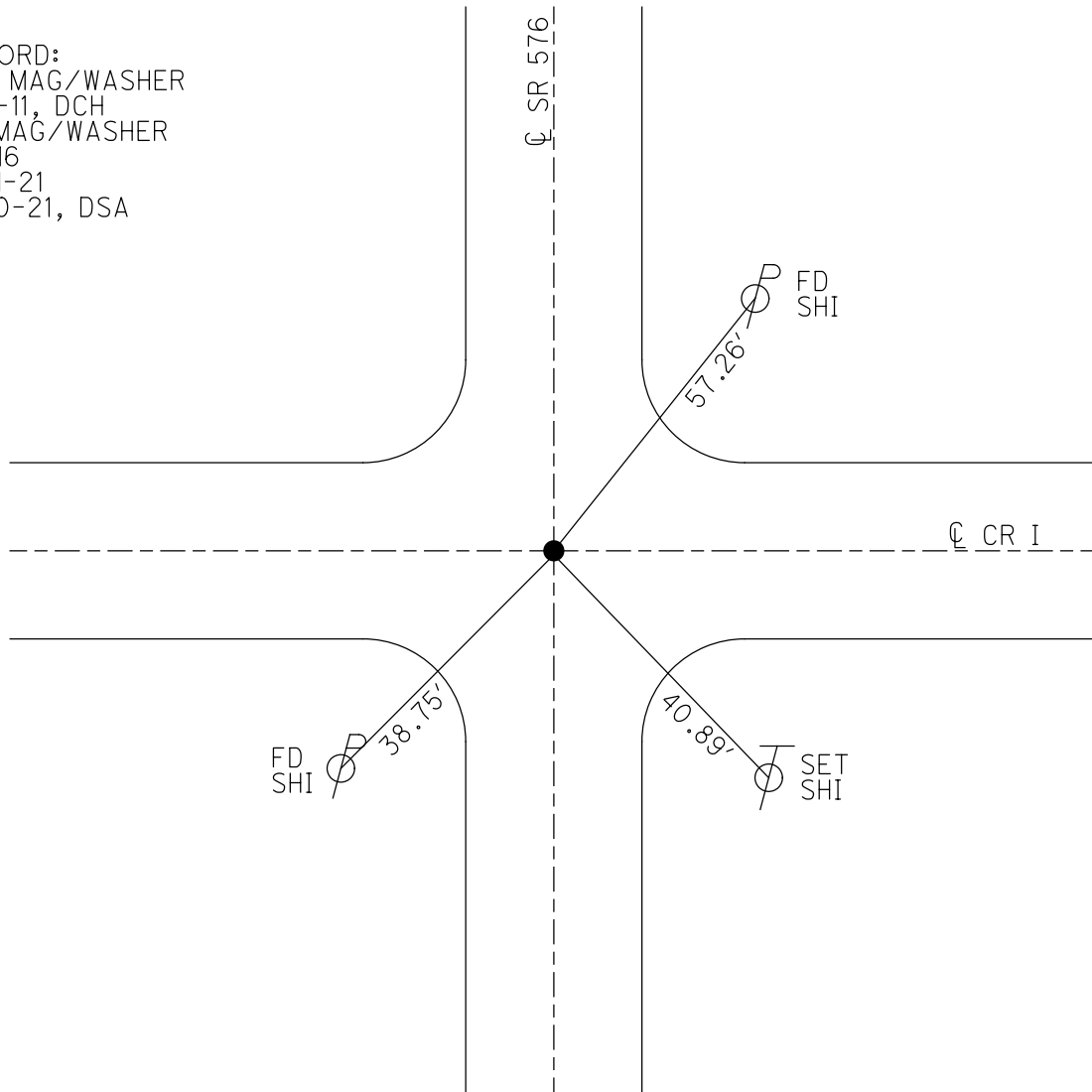
PERSONNEL \_\_\_\_\_ REFERENCE NO. 16 SHEET 20 OF 29  
 NOTES NIESE DATE 3-31-21 ROUTE SR 576  
 H.C. AUBLE WEATHER WINDY COUNTY WILLIAMS  
 R.C. NIESE TEMP. 70° F TOWNSHIP SUPERIOR  
 \_\_\_\_\_ SECTION 26  
 DWG BY AUBLE PID PAVETRAN T 7 N R 2 E

TYPE MONUMENT MAG/WASHER  
 ON SURFACE - ~~BELOW~~ ON \_\_\_\_\_  
 OFFSET CL PAVEMENT ON \_\_\_\_\_ LT : RT  
9.1' TO LT EDGE PAVEMENT  
 STATION: 423+66.99



HORIZ.DATUM: NAD83 2011 GEOID: NAVD88 2018  
 GRID: NORTHING: 690552.446 EASTING: 1390123.221

RECORD:  
 SET MAG/WASHER  
 8-11-11, DCH  
 FD MAG/WASHER  
 REF16  
 3-31-21  
 9-20-21, DSA



O.D.O.T. DISTRICT 2 SURVEY OFFICE (USE ONLY)

PERSONNEL

REFERENCE NO. 16 B

SHEET 21 OF 29

NOTES NIESE

DATE 3-31-21

ROUTE SR 576

H.C. AUBLE

WEATHER WINDY

COUNTY WILLIAMS

R.C. NIESE

TEMP. 70° F

TOWNSHIP SUPERIOR

SECTION 23

DWG BY AUBLE

PID PAVETRAIN

T 7 N R 2 E

TYPE MONUMENT MAG/WASHER

ON SURFACE - ~~BELOW~~ ON

OFFSET 1.2' LT : RT

8.2' TO RT EDGE PAVEMENT

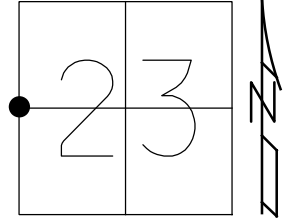
STATION: 448+83.63

HORZ.DATUM: NAD83 2011

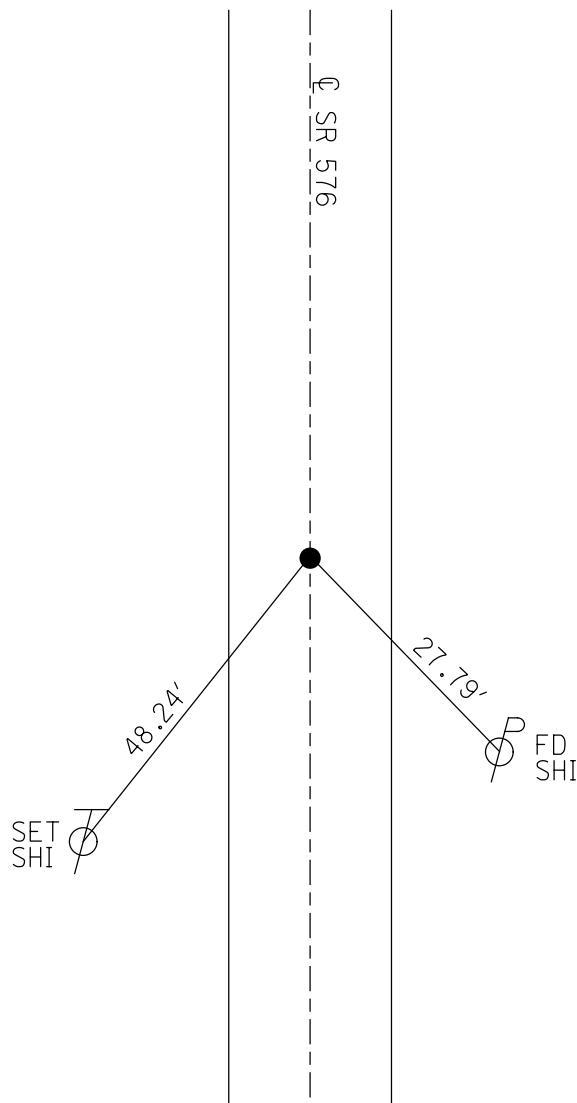
GEOID: NAVD88 2018

GRID: NORTHING: 693068.598

EASTING: 1390174.935



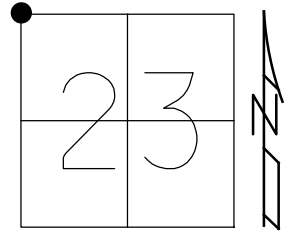
RECORD:  
SET MAG/WASHER  
8-11-11, DCH  
FD MAG/WASHER  
REFB16  
3-31-21  
9-20-21, DSA



O.D.O.T. DISTRICT 2 SURVEY OFFICE (USE ONLY)

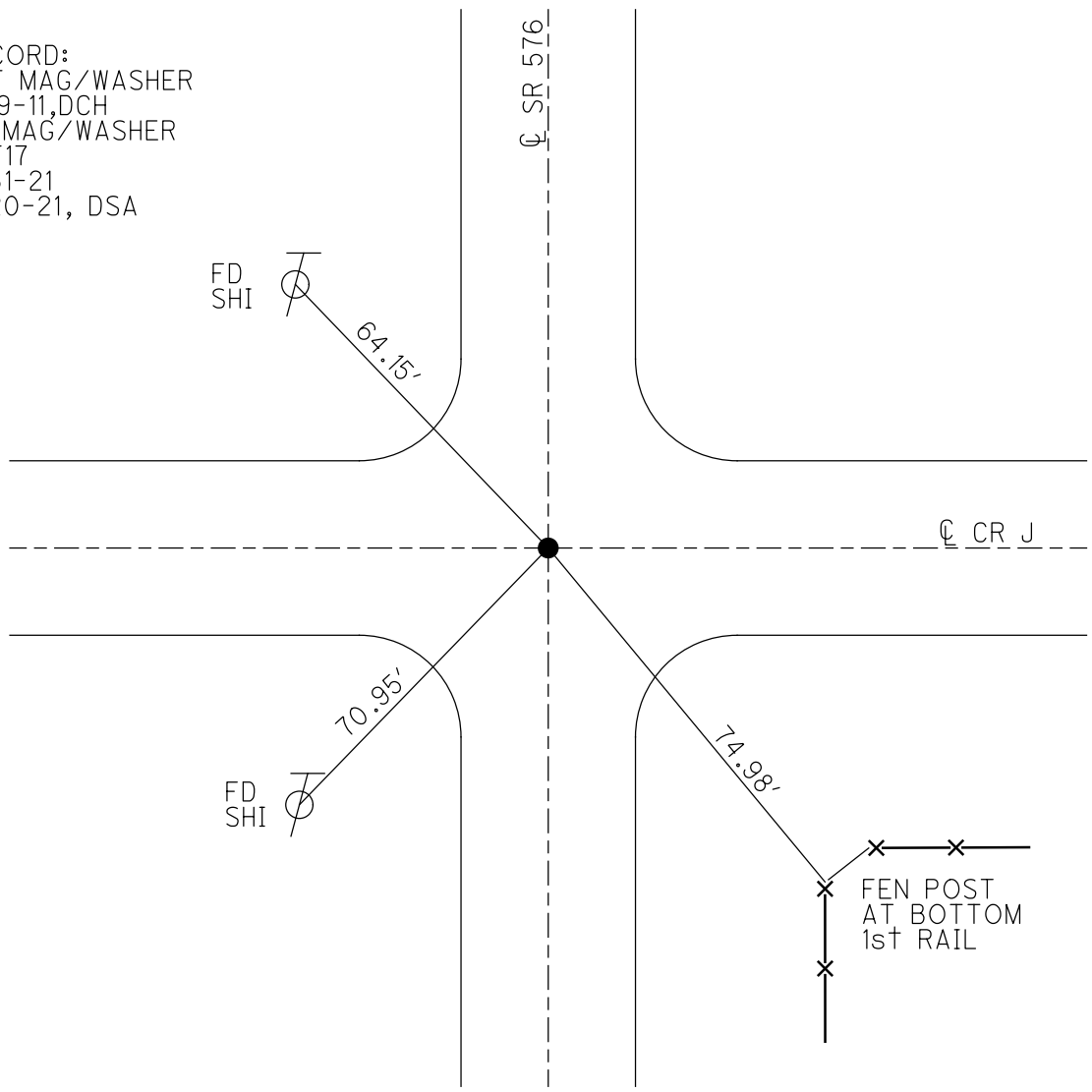
PERSONNEL \_\_\_\_\_ REFERENCE NO. 17 SHEET 22 OF 29  
 NOTES NIESE DATE 3-31-21 ROUTE SR 576  
 H.C. AUBLE WEATHER WINDY COUNTY WILLIAMS  
 R.C. NIESE TEMP. 70° F TOWNSHIP SUPERIOR  
 SECTION 23  
 DWG BY AUBLE PID PAVETRAIN T 7 N R 2 E

TYPE MONUMENT MAG/WASHER  
 ON SURFACE - ~~BELOW~~ ON  
 OFFSET  $\phi$  PAVEMENT 1.3' ~~RT~~ : RT  
8.6' TO RT EDGE PAVEMENT  
 STATION: 476+88.64



HORZ.DATUM: NAD83 2011 GEOID: NAVD88 2018  
 GRID: NORTHING: 695873.063 EASTING: 1390226.116

RECORD:  
 SET MAG/WASHER  
 8-19-11, DCH  
 FD MAG/WASHER  
 REF17  
 3-31-21  
 9-20-21, DSA



O.D.O.T. DISTRICT 2 SURVEY OFFICE (USE ONLY)

PERSONNEL

REFERENCE NO. 18

SHEET 23 OF 29

NOTES NIESE

DATE 3-31-21

ROUTE SR 576

H.C. AUBLE

WEATHER WINDY

COUNTY WILLIAMS

R.C. NIESE

TEMP. 70° F

TOWNSHIP SUPERIOR

DWG BY AUBLE

PID PAVETRAIN

SECTION 14

T 7 N R 2 E

TYPE MONUMENT MAG/WASHER

ON SURFACE - ~~BELOW~~ ON

OFFSET Q PAVEMENT ON LT : RT

10.4' TO RT EDGE PAVEMENT

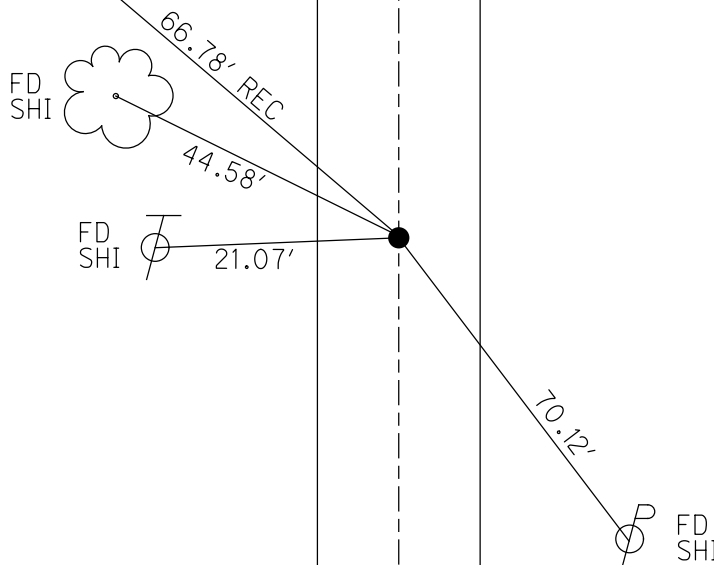
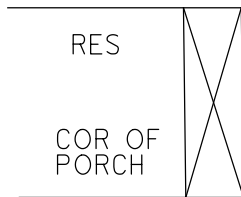
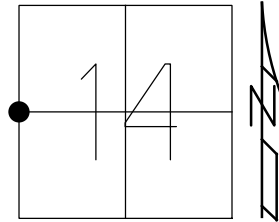
STATION: 503+24.26

HORZ.DATUM: NAD83 2011

GEOID: NAVD88 2018

GRID: NORTHING: 698508.044

EASTING: 1390284.949

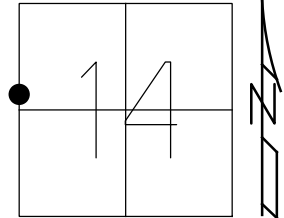


RECORD:  
 SET MAG/WASHER  
 8-19-11, DCH  
 FD MAG/WASHER  
 REF18  
 3-31-21  
 9-20-21, DSA

O.D.O.T. DISTRICT 2 SURVEY OFFICE (USE ONLY)

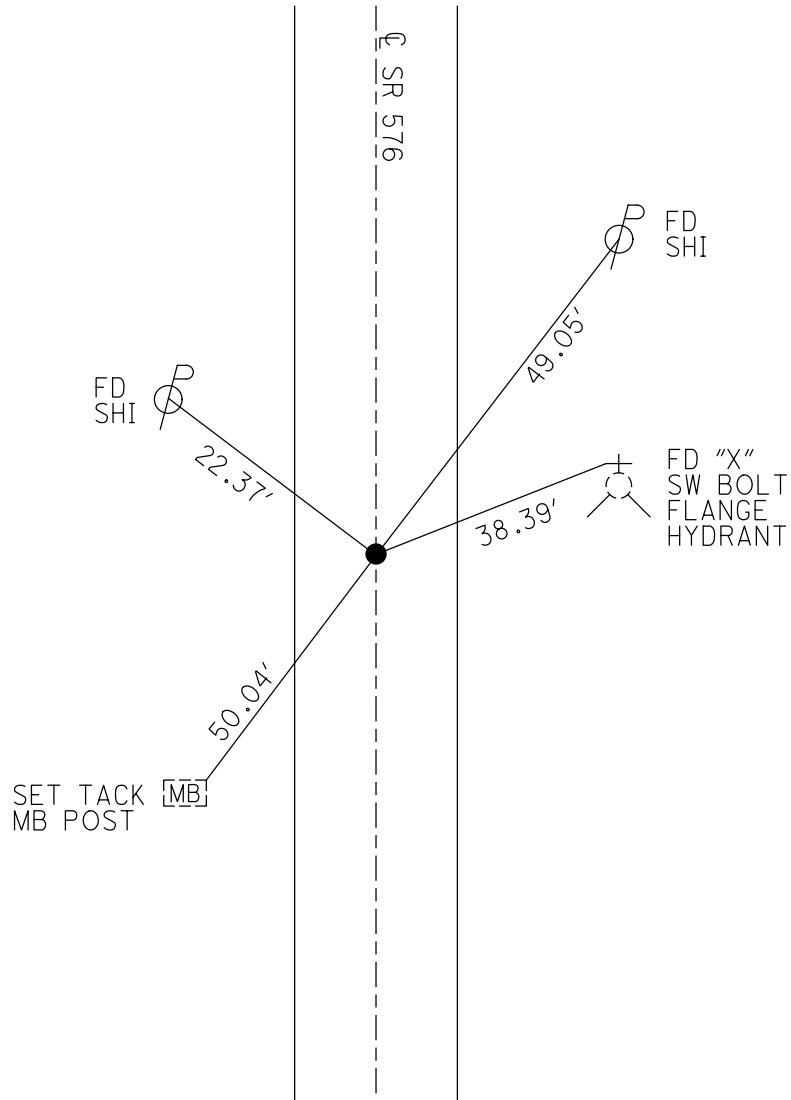
PERSONNEL \_\_\_\_\_ REFERENCE NO. 18 A SHEET 24 OF 29  
 NOTES NIESE DATE 3-31-21 ROUTE SR 576  
 H.C. AUBLE WEATHER WINDY COUNTY WILLIAMS  
 R.C. NIESE TEMP. 70° F TOWNSHIP SUPERIOR  
 \_\_\_\_\_ SECTION 14  
 DWG BY AUBLE PID PAVETRAIN T 7 N R 2 E

TYPE MONUMENT MAG/WASHER  
 ON SURFACE - ~~BELOW~~ ON  
 OFFSET CL PAVEMENT ON LT : RT  
9.9' TO RT EDGE PAVEMENT  
 STATION: 509+88.88



HORIZ.DATUM: NAD83 2011 GEOID: NAVD88 2018  
 GRID: NORTHING: 699172.613 EASTING: 1390299.676

RECORD:  
 SET MAG/WASHER  
 8-19-11, DCH  
 FD MAG/WASHER  
 REFA18  
 3-31-21  
 9-20-21, DSA



O.D.O.T. DISTRICT 2 SURVEY OFFICE (USE ONLY)

PERSONNEL

REFERENCE NO. 18 B

SHEET 25 OF 29

NOTES NIESE

DATE 3-31-21

ROUTE SR 576

H.C. AUBLE

WEATHER WINDY

COUNTY WILLIAMS

R.C. NIESE

TEMP. 70° F

TOWNSHIP SUPERIOR

DWG BY AUBLE

PID PAVETRAIN

SECTION 14

T 7 N R 2 E

TYPE MONUMENT MAG/WASHER

ON SURFACE - BELOW ON

OFFSET  $\odot$  PAVEMENT 0.4'  $\perp$  : RT

9.1' TO RT EDGE PAVEMENT

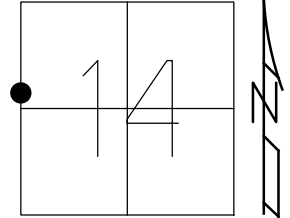
STATION: 517+46

HORIZ.DATUM: NAD83 2011

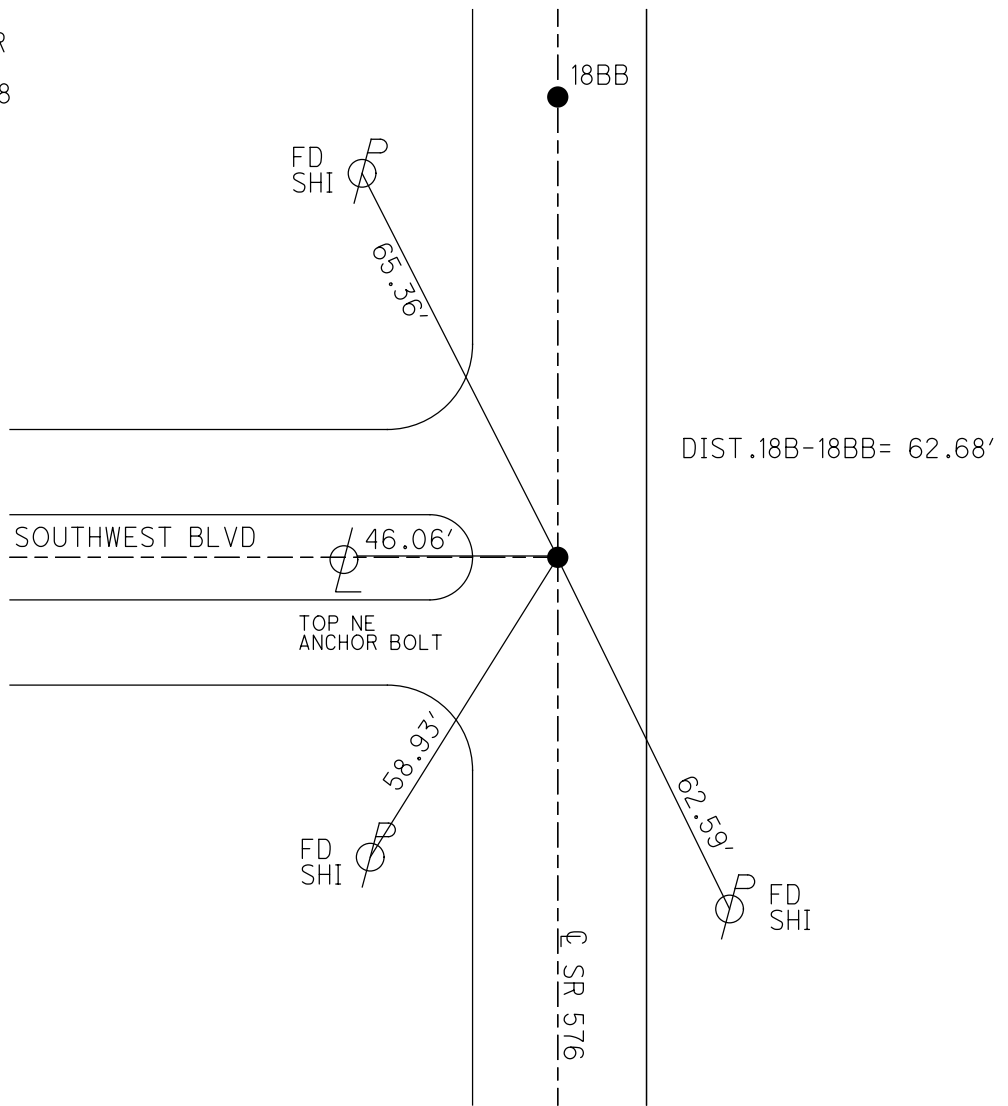
GEOID: NAVD88 2018

GRID: NORTHING: 699775.202

EASTING: 1390313.353



SET MAG/WASHER  
8-19-11, DCH  
FD MAG/W REFB18  
3-31-21, DSA  
FD 9-20-21, DSA



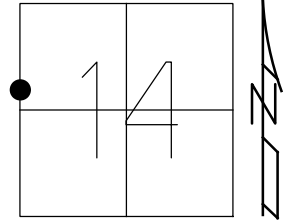


O.D.O.T. DISTRICT 2 SURVEY OFFICE (USE ONLY)

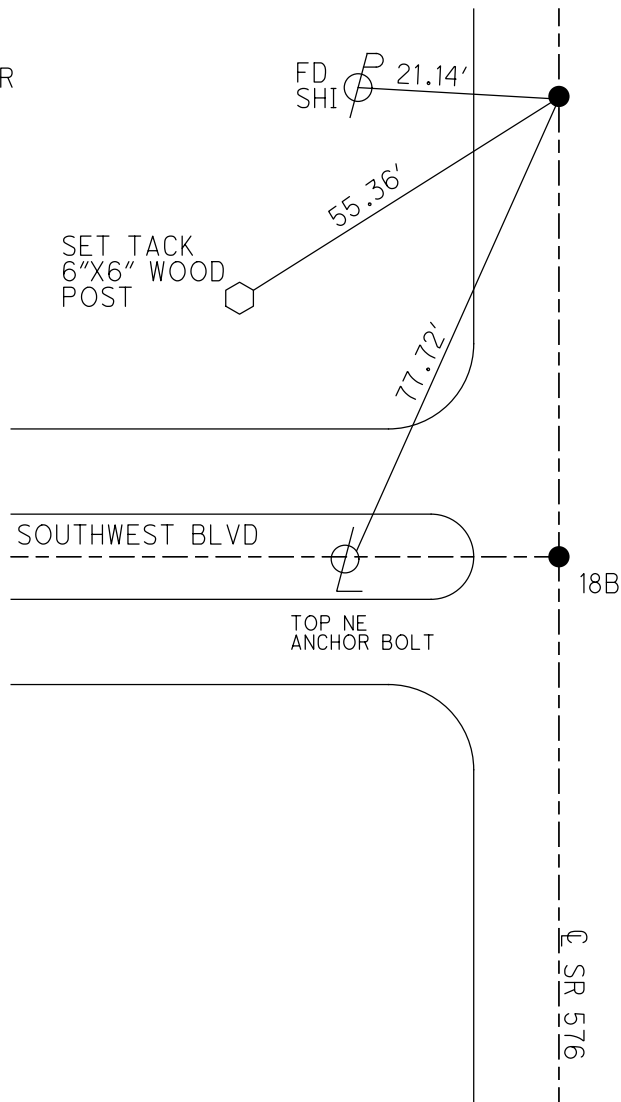
PERSONNEL \_\_\_\_\_ REFERENCE NO. 18 BB SHEET 26 OF 29  
 NOTES ROUSOS DATE 6/16/11 ROUTE SR 576  
 H.C. ROUSOS WEATHER CLOUDY COUNTY WILLIAMS  
 R.C. HOMAN TEMP. 70° TOWNSHIP SUPERIOR  
 DWG BY AUBLE PID PAVETRAIN SECTION 14  
 T 7 N R 2 E

TYPE MONUMENT P.K.NAIL  
 ON SURFACE - BELOW ON  
 OFFSET  $\odot$  PAVEMENT 0.4' LT : RT  
9.1' TO RT EDGE PAVEMENT  
 STATION: 518+08.68

HORIZ.DATUM: NAD83 2011 GEOID: NAVD88 2012A  
 GRID: NORTHING: 699837.841 EASTING: 1390315.173



RECORD:  
 SET MAG/WASHER  
 8-19-11, DCH  
 FD MAG/WASHER  
 9/20/21, DSA



DIST.18B-18BB= 62.68'

O.D.O.T. DISTRICT 2 SURVEY OFFICE USE ONLY

PERSONNEL

REFERENCE NO. 18-C

SHEET 25 OF 27

NOTES ROUSOS

DATE 6-16-11

ROUTE 576

H.C. ROUSOS

WEATHER CLOUDY

COUNTY WILLIAMS

R.C. HOMAN

TEMP. 70°

TOWNSHIP SUPERIOR

SECTION 14

T 7 N R 2 E

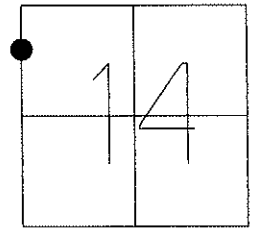
TYPE MONUMENT PK NAIL

ON SURFACE - ~~BELOW~~ ON

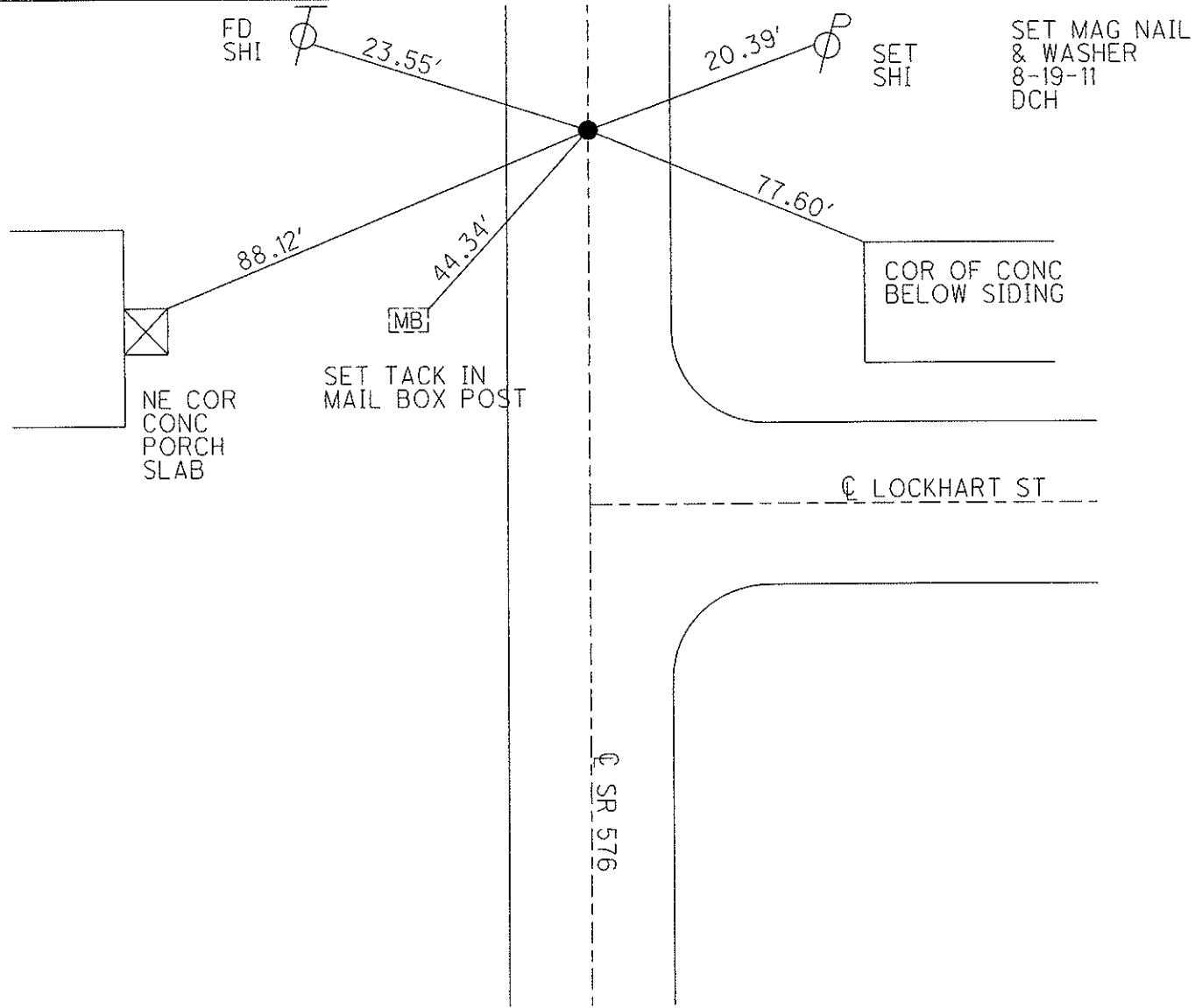
~~LEFT - C PAV'T - RIGHT~~ ON

10.1 TO LT. EDGE PAVEMENT

S.L.M. 521+36



Grid: Northing: 700319.059 Easting: 1390325.704



SET MAG NAIL & WASHER  
8-19-11  
DCH

NE COR  
CONC  
PORCH  
SLAB

SET TACK IN  
MAIL BOX POST

COR OF CONC  
BELOW SIDING

C LOCKHART ST

C SR 576

O.D.O.T. DISTRICT 2 SURVEY OFFICE USE ONLY

PERSONNEL

REFERENCE NO. 18-D

SHEET 26 OF 27

NOTES ROUSOS

DATE 6-16-11

ROUTE S.R. 576

H.C. ROUSOS

WEATHER CLOUDY

COUNTY WILLIAMS

R.C. HOMAN

TEMP. 70°

TOWNSHIP SUPERIOR

SECTION 14

T 7 N R 2 E

TYPE MONUMENT PK NAIL

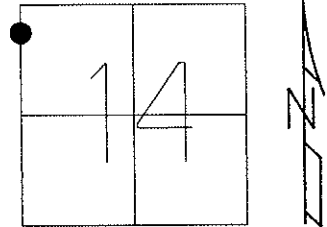
ON SURFACE - ~~BELOW~~ ON

~~LEFT - C PAV'T - RIGHT~~ ON

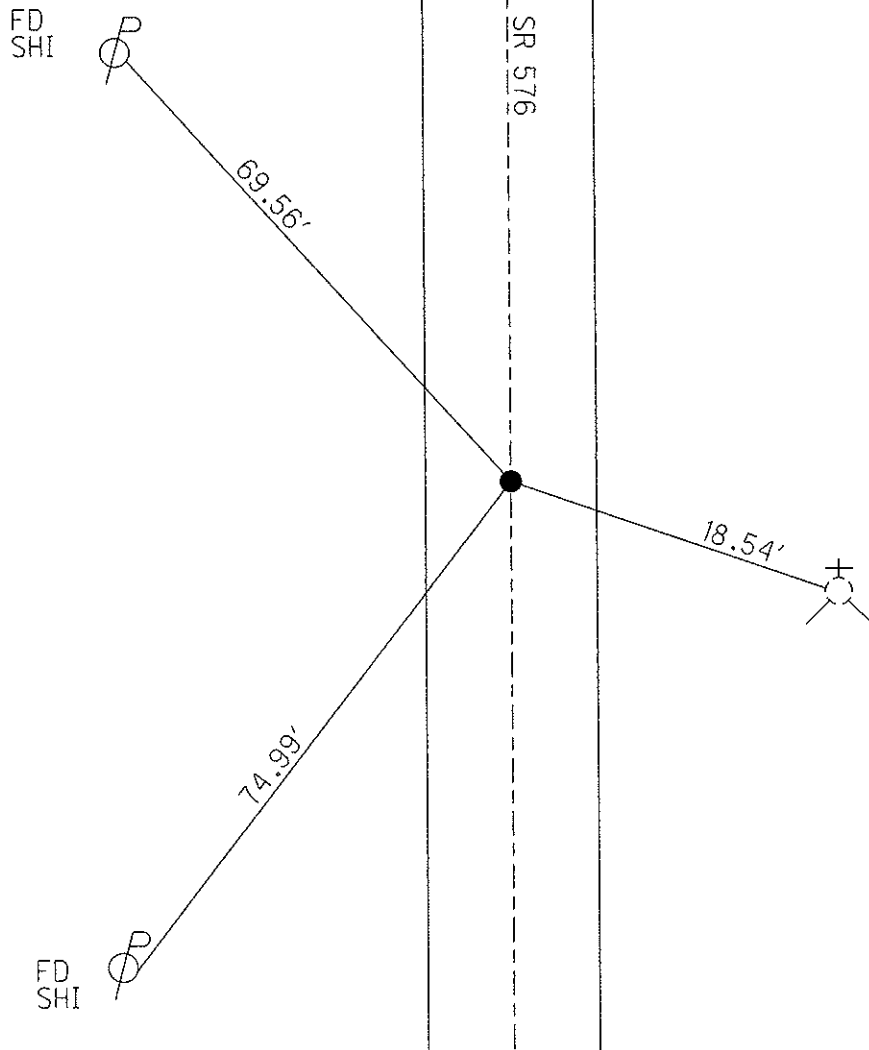
9.8 TO RT EDGE PAVEMENT

S.L.M. 525+31

Grid: Northing: 700714.750 Easting: 1390334.668



SET MAG NAIL  
& WASHER  
8-19-11  
DCH

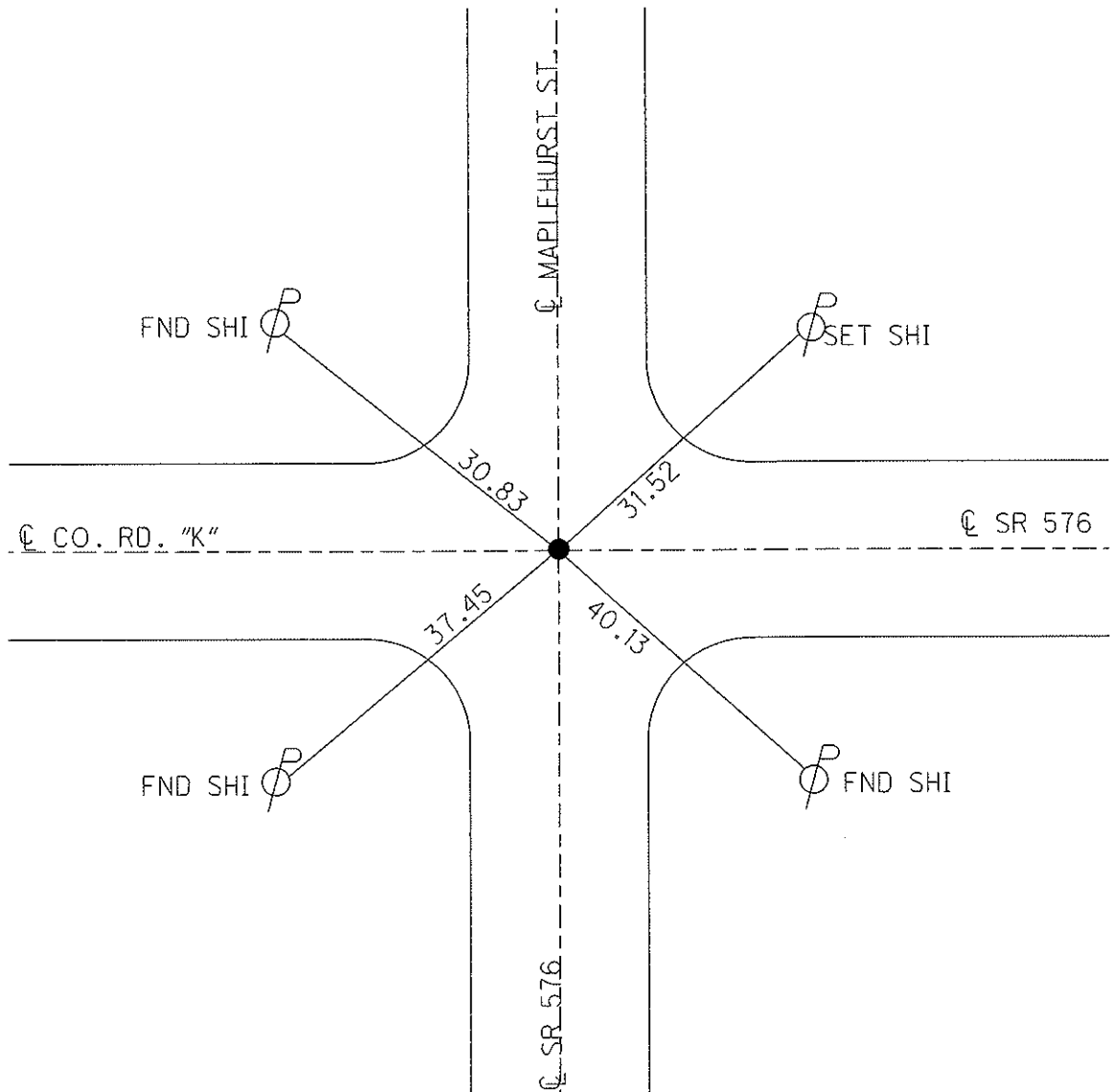
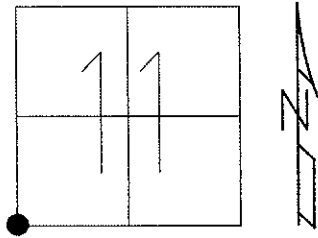


CUT "X"  
ON TOP  
FLANGE  
W BOLT

O.D.O.T. DISTRICT 2 SURVEY OFFICE USE ONLY

PERSONNEL \_\_\_\_\_ REFERENCE NO. 19 SHEET 27 OF 27  
 NOTES CANTERBURY DATE 5/28/97 ROUTE S.R. 576  
 H.C. ROUSOS WEATHER CLOUDY COUNTY WILLIAMS  
 R.C. BARNHISEL TEMP. 68° TOWNSHIP SUPERIOR  
 \_\_\_\_\_ SECTION 11  
 \_\_\_\_\_ T 5 N R 2 E

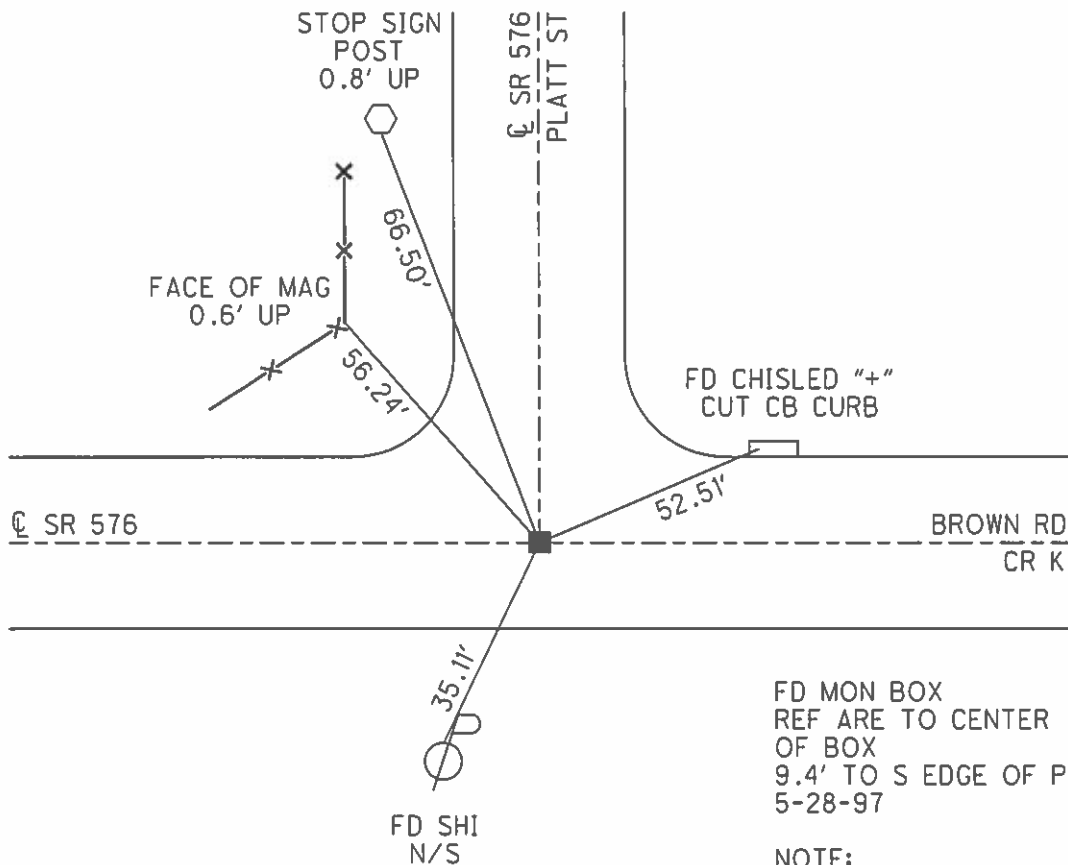
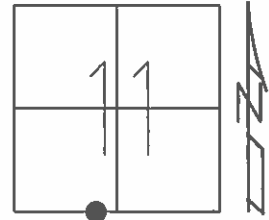
TYPE MONUMENT \_\_\_\_\_ PK NAIL \_\_\_\_\_  
 ON SURFACE - BELOW \_\_\_\_\_ ON \_\_\_\_\_  
 LEFT -  $\odot$  PAV'T - RIGHT \_\_\_\_\_ ON \_\_\_\_\_  
10.3 TO LT EDGE PAVEMENT  
 S.L.M. \_\_\_\_\_ 531+23  
 Grid: Northing: \_\_\_\_\_ Easting: \_\_\_\_\_



O.D.O.T. DISTRICT 2 SURVEY OFFICE (USE ONLY)

PERSONNEL \_\_\_\_\_ REFERENCE NO. 20 SHEET 1 OF 32  
 NOTES HOMAN DATE 5-16-12 ROUTE SR 576  
 H.C. ROUSOS WEATHER SUNNY COUNTY WILLIAMS  
 R.C. HOMAN TEMP. 60° TOWNSHIP SUPERIOR  
 SECTION 11  
 T 7 N R 2 E

TYPE MONUMENT IRON PIN IN MON BOX  
 ON SURFACE - ~~BELOW~~ ON  
~~LEFT~~ - CL PAV'T - ~~RIGHT~~ ON, CL OF 576 N.  
10.7 TO RT EDGE PAVEMENT  
 S.L.M. 545+18.51  
 Grid: Northing: 701115.0918 Easting: 1392012.9525



FD MON BOX  
 REF ARE TO CENTER  
 OF BOX  
 9.4' TO S EDGE OF PAVT  
 5-28-97

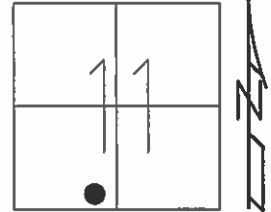
NOTE:  
 301.86' N TO  
 MON BOX 20-A

FD MON BOX  
 GPS, REF41  
 2/5/13, DCH

O.D.O.T. DISTRICT 2 SURVEY OFFICE (USE ONLY)

PERSONNEL \_\_\_\_\_ REFERENCE NO. 20 A SHEET 2 OF 32  
 NOTES HOMAN DATE 6-26-12 ROUTE SR 576  
 H.C. ROUSOS WEATHER SUNNY COUNTY WILLIAMS  
 R.C. HOMAN TEMP. 60° TOWNSHIP SUPERIOR  
 \_\_\_\_\_ SECTION 11  
 \_\_\_\_\_ T 7 N R 2 E

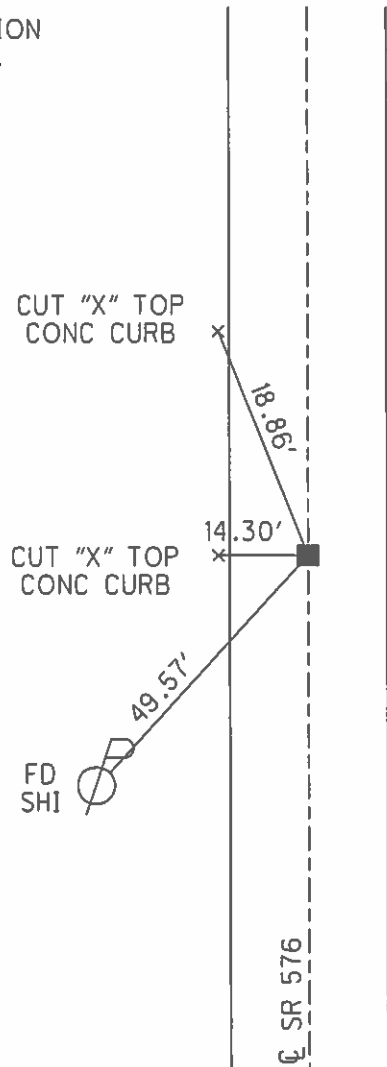
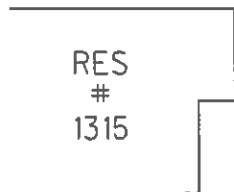
TYPE MONUMENT MONBOX  
 ON SURFACE - ~~BELOW~~ ON  
~~LEFT~~ - ☉ PAV'T - ~~RIGHT~~ ON  
12.0 TO LT EDGE PAVEMENT  
 S.L.M. 548+20.47



Grid: Northing: 701416.9955 Easting: 1392018.6585

FD BOX 301' NORTH OF  
 MON BOX AT INTERSECTION  
 OF SR 576 & BROWN ST.  
 6-14-93, LOEHRKE

FD MON BOX  
 GPS, REF42  
 2/5/13, DCH

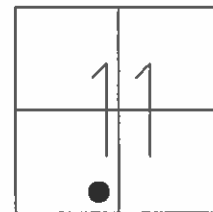


O.D.O.T. DISTRICT 2 SURVEY OFFICE (USE ONLY)

PERSONNEL \_\_\_\_\_ REFERENCE NO. 20 B SHEET 3 OF 32

NOTES HOMAN DATE 6-26-12 ROUTE SR 576  
 H.C. ROUSOS WEATHER SUNNY COUNTY WILLIAMS  
 R.C. HOMAN TEMP. 60° TOWNSHIP SUPERIOR  
 \_\_\_\_\_ SECTION 11  
 \_\_\_\_\_ T 7 N R 2 E

TYPE MONUMENT PK NAIL  
 ON SURFACE - ~~BELOW~~ ON  
~~LEFT~~ - C PAV'T - ~~RIGHT~~ ON  
11.9 TO RT EDGE PAVEMENT  
 S.L.M. 550+28.60



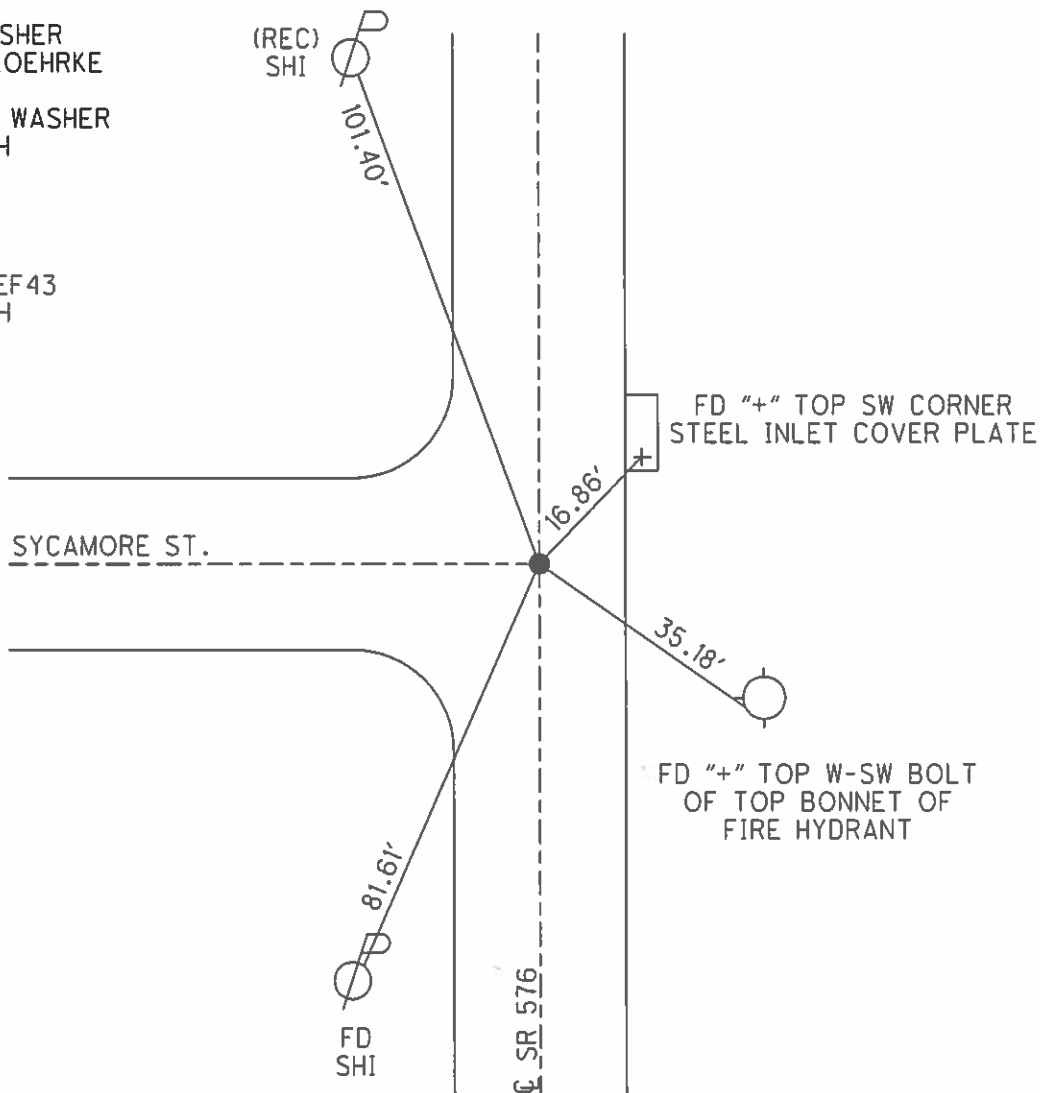
Grid: Northing: 701625.0824 Easting: 1392022.5730

SET PK/WASHER  
8-05-93, LOEHRKE

SET MAG & WASHER  
9-5-12, DCH

FD PK  
REF43

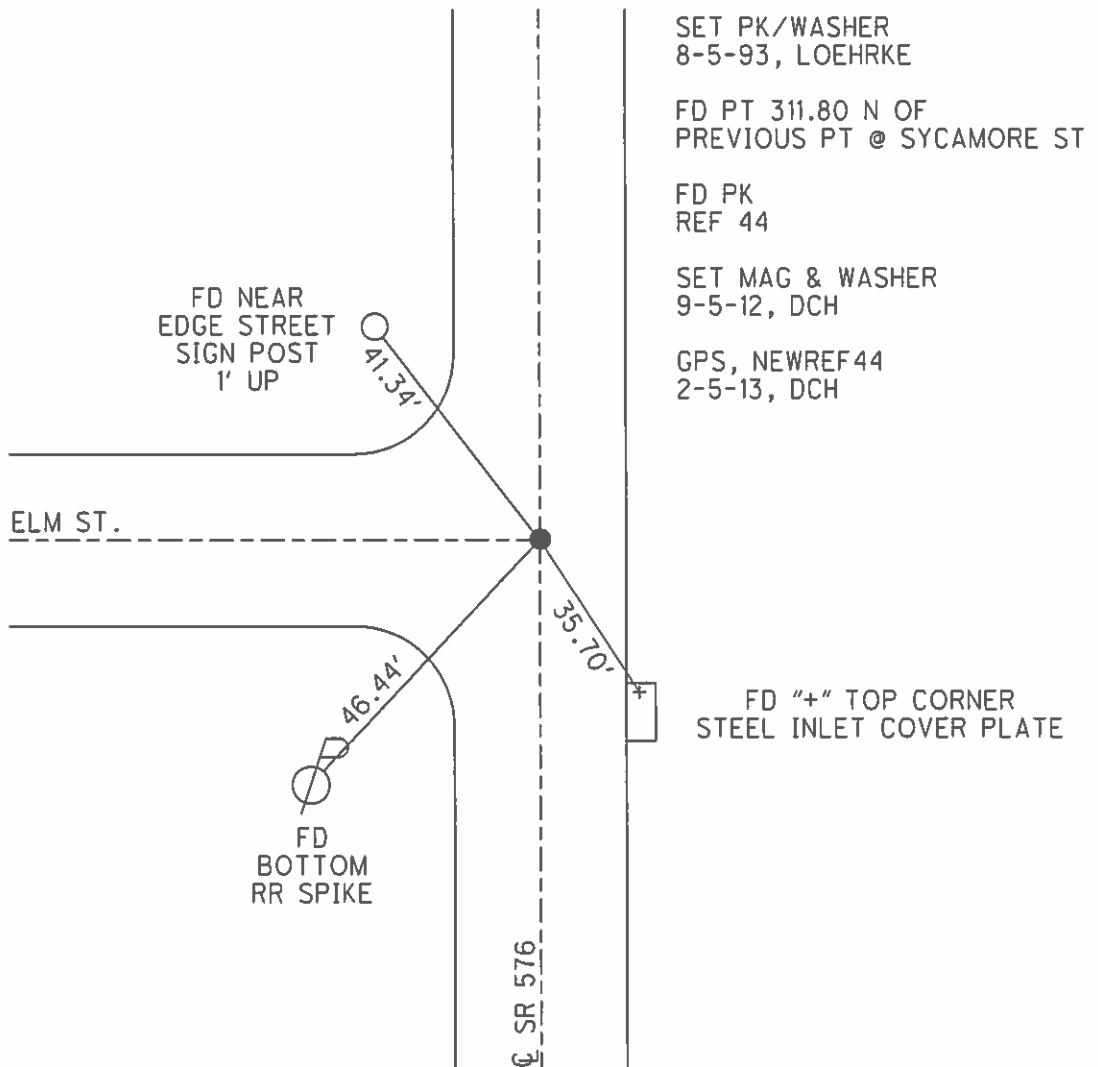
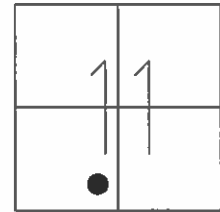
GPS, NEWREF43  
2-5-13, DCH



O.D.O.T. DISTRICT 2 SURVEY OFFICE (USE ONLY)

PERSONNEL \_\_\_\_\_ REFERENCE NO. 21 SHEET 4 OF 32  
 NOTES HOMAN DATE 6-26-12 ROUTE SR 576  
 H.C. ROUSOS WEATHER SUNNY COUNTY WILLIAMS  
 R.C. HOMAN TEMP. 60° TOWNSHIP SUPERIOR  
 SECTION 11  
 T 7 N R 2 E

TYPE MONUMENT PK  
 ON SURFACE - ~~BELOW~~ ON \_\_\_\_\_  
~~LEFT~~ - CL PAV'T - ~~RIGHT~~ ON \_\_\_\_\_  
12.0 TO RT EDGE PAVEMENT  
 S.L.M. 553+40.74  
 Grid: Northing: 701937.1862 Easting: 1392027.5453





O.D.O.T. DISTRICT 2 SURVEY OFFICE (USE ONLY)

PERSONNEL \_\_\_\_\_ REFERENCE NO. 22 SHEET 5 OF 32

NOTES HOMAN DATE 6-26-12 ROUTE SR 576

H.C. ROUSOS WEATHER CLEAR COUNTY WILLIAMS

R.C. HOMAN TEMP. 60° TOWNSHIP SUPERIOR

SECTION 11

T 7 N R 2 E

TYPE MONUMENT PK

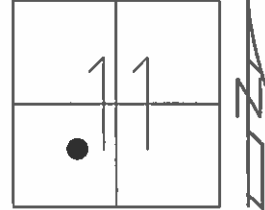
ON SURFACE - ~~BELOW~~ ON

~~LEFT~~ - Q PAV'T - ~~RIGHT~~ ON

12.0 TO RT EDGE PAVEMENT

S.L.M. 556+52.73

Grid: Northing: 702249.1025 Easting: 1392034.2199

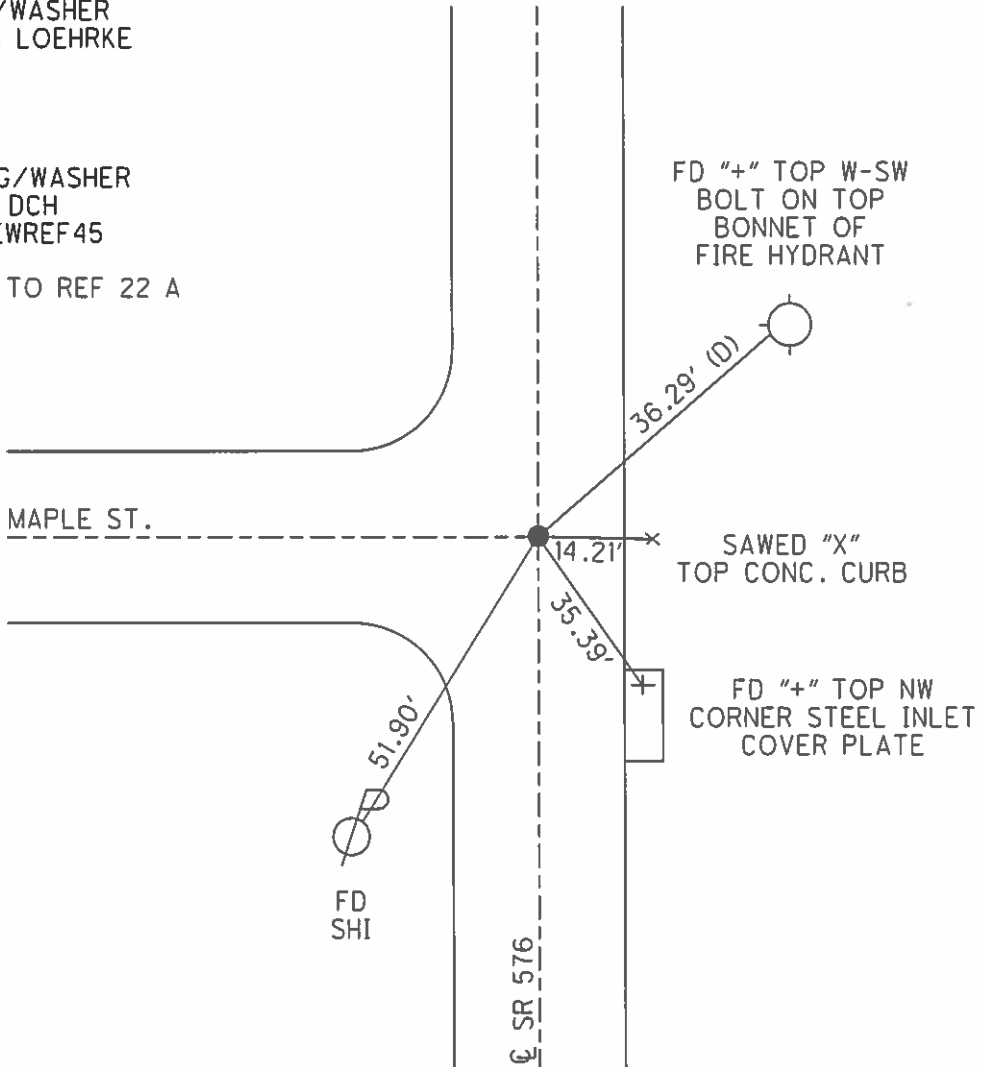


SET PK/WASHER  
8-5-93, LOEHRKE

FD PK  
6-26-12

SET MAG/WASHER  
2-5-13, DCH  
GPS, NEWREF45

189.50' TO REF 22 A



MAPLE ST.

FD "+" TOP W-SW  
BOLT ON TOP  
BONNET OF  
FIRE HYDRANT

SAWED "X"  
TOP CONC. CURB

FD "+" TOP NW  
CORNER STEEL INLET  
COVER PLATE

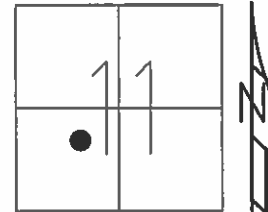
FD  
SHI

Q SR 576

O.D.O.T. DISTRICT 2 SURVEY OFFICE (USE ONLY)

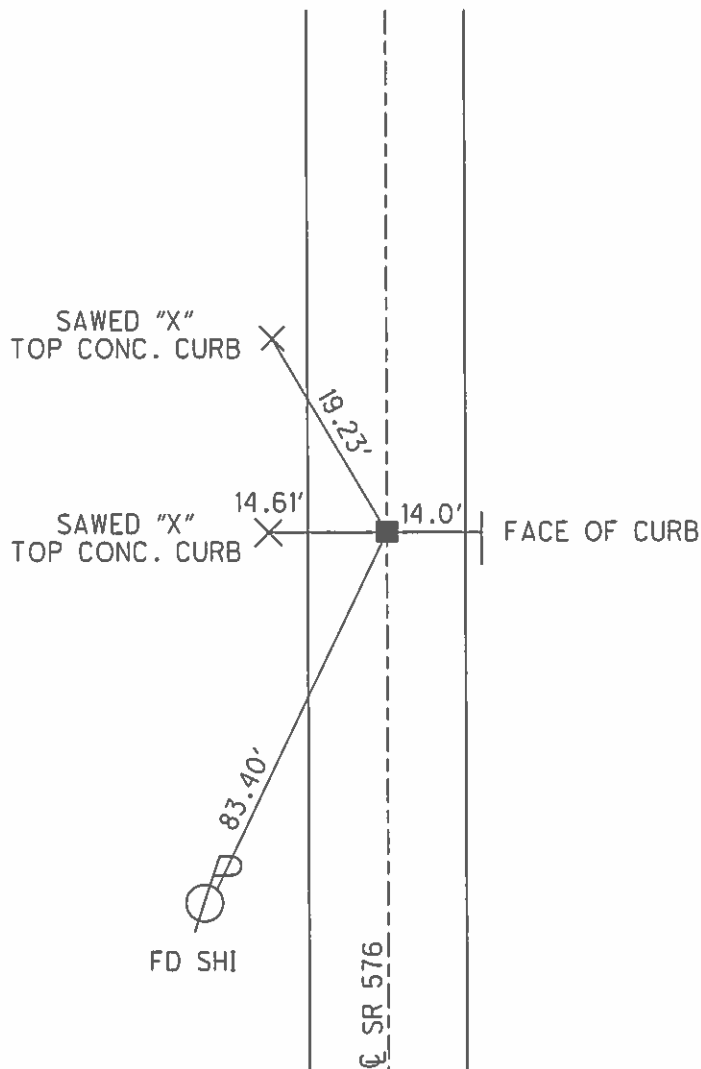
PERSONNEL \_\_\_\_\_ REFERENCE NO. 22 A SHEET 6 OF 32  
 NOTES HOMAN DATE 6-26-12 ROUTE SR 576  
 H.C. ROUSOS WEATHER CLEAR COUNTY WILLIAMS  
 R.C. HOMAN TEMP. 60° TOWNSHIP SUPERIOR  
 \_\_\_\_\_ SECTION 11  
 \_\_\_\_\_ T 7 N R 2 E

TYPE MONUMENT MON BOX  
 ON SURFACE - ~~BELOW~~ ON  
~~LEFT~~ - CL PAV'T - ~~RIGHT~~ ON  
12.0 TO RT EDGE PAVEMENT  
 S.L.M. 558+42.19



Grid: Northing: 702438.5305 Easting: 1392037.6303

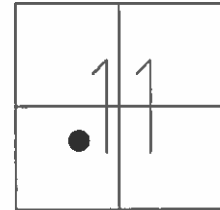
FD MON BOX  
 GPS, REF46  
 6-26-12, DCH



O.D.O.T. DISTRICT 2 SURVEY OFFICE (USE ONLY)

PERSONNEL \_\_\_\_\_ REFERENCE NO. 23 SHEET 7 OF 32  
 NOTES HOMAN DATE 6-26-12 ROUTE SR 576  
 H.C. ROUSOS WEATHER CLEAR COUNTY WILLIAMS  
 R.C. HOMAN TEMP. 60° TOWNSHIP SUPERIOR  
 \_\_\_\_\_ SECTION 11  
 \_\_\_\_\_ T 7 N R 2 E

TYPE MONUMENT PK NAIL  
 ON SURFACE - ~~BELOW~~ ON  
~~LEFT~~ - ☉ PAV'T - ~~RIGHT~~ ON \_\_\_\_\_  
12.1 TO RT EDGE PAVEMENT  
 S.L.M. 559+76.73



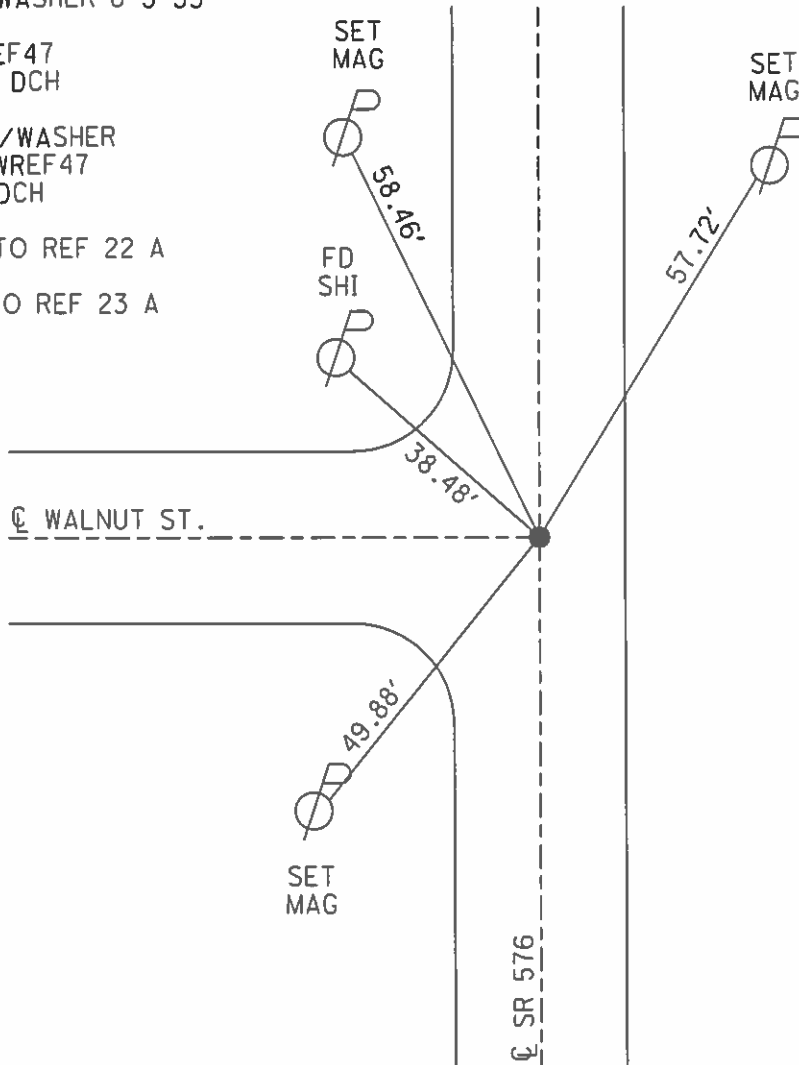
Grid: Northing: 702573.106 Easting: 1392039.836

SET PK/WASHER 8-5-93

FD PK REF47  
 6-26-12, DCH

SET MAG/WASHER  
 GPS, NEWREF47  
 2-5-13, DCH

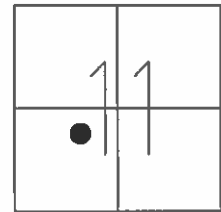
134.66' TO REF 22 A  
 211.40' TO REF 23 A



O.D.O.T. DISTRICT 2 SURVEY OFFICE (USE ONLY)

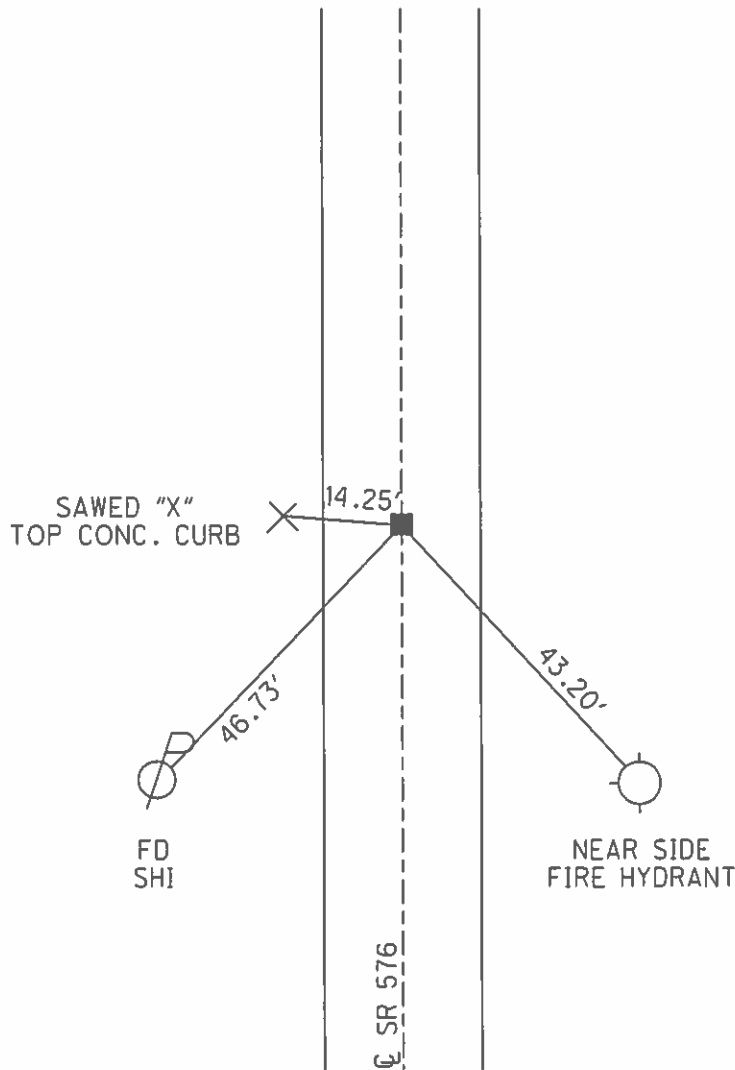
PERSONNEL \_\_\_\_\_ REFERENCE NO. 23 A SHEET 8 OF 32  
 NOTES HOMAN DATE 6-26-12 ROUTE SR 576  
 H.C. ROUSOS WEATHER CLEAR COUNTY WILLIAMS  
 R.C. HOMAN TEMP. 60° TOWNSHIP SUPERIOR  
 \_\_\_\_\_ SECTION 11  
 \_\_\_\_\_ T 7 N R 2 E

TYPE MONUMENT MONBOX  
 ON SURFACE - ~~BELOW~~ ON  
~~LEFT~~ - CL PAV'T - ~~RIGHT~~ ON  
11.9 TO LT EDGE PAVEMENT  
 S.L.M. 561+88.14



Grid: Northing: 702784.4409 Easting: 1392043.1239

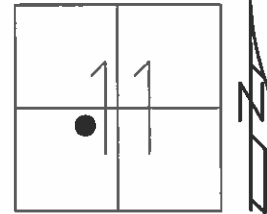
FD MON BOX  
 GPS, REF48  
 6-26-12, DCH



O.D.O.T. DISTRICT 2 SURVEY OFFICE (USE ONLY)

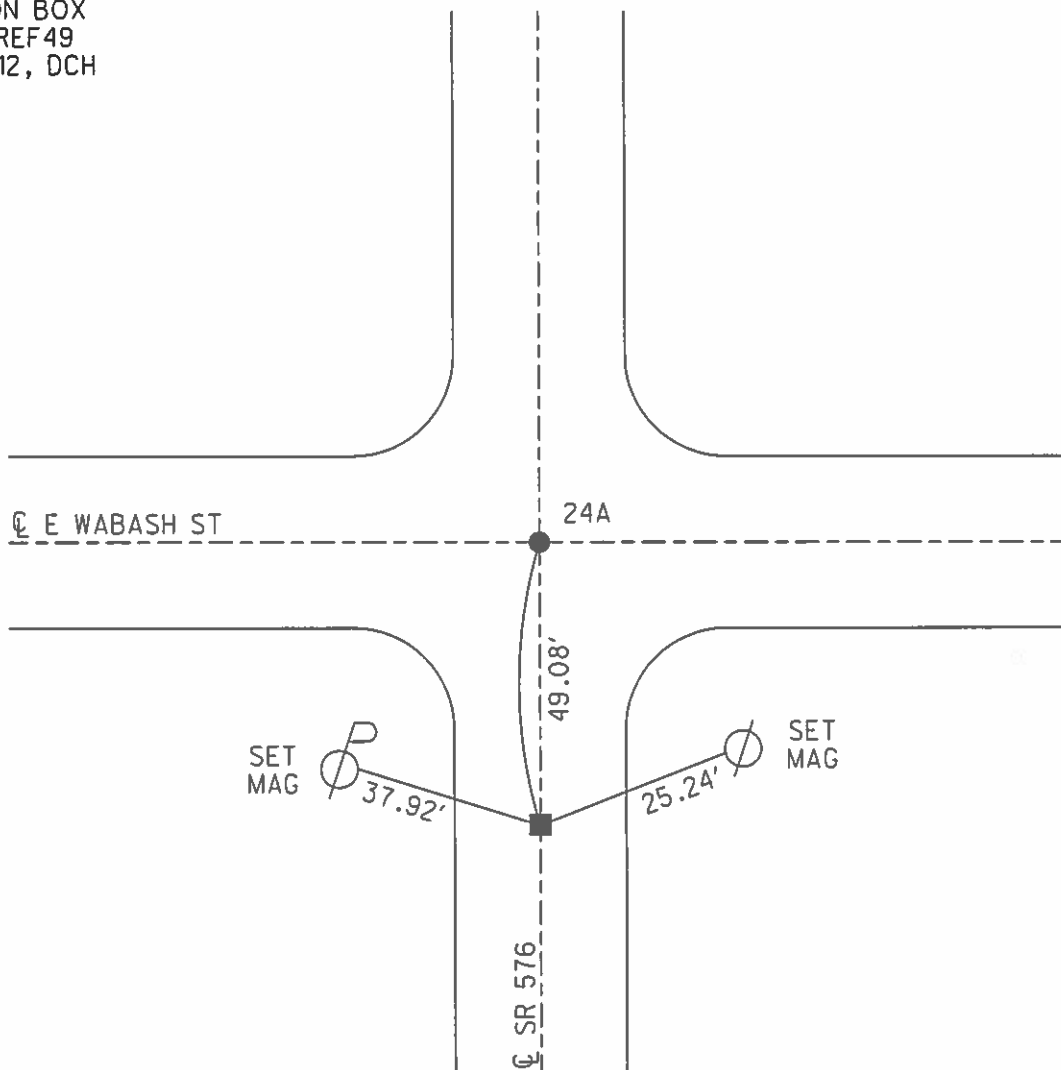
PERSONNEL \_\_\_\_\_ REFERENCE NO. 24 SHEET 9 OF 32  
 NOTES HOMAN DATE 6-26-12 ROUTE SR 576  
 H.C. ROUSOS WEATHER CLEAR COUNTY WILLIAMS  
 R.C. HOMAN TEMP. 60° TOWNSHIP SUPERIOR  
 \_\_\_\_\_ SECTION 11  
 \_\_\_\_\_ T 7 N R 2 E

TYPE MONUMENT MON BOX (1/2" IRON PIPE)  
 ON SURFACE - ~~BELOW~~ ON  
~~LEFT~~ - Q PAV'T - ~~RIGHT~~ ON  
 \_\_\_\_\_ TO \_\_\_\_\_ EDGE PAVEMENT  
 S.L.M. 562+64.61



Grid: Northing: 702860.8977 Easting: 1392044.7095

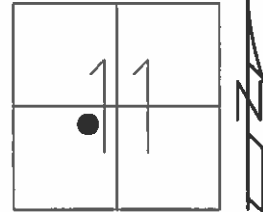
FD MON BOX  
 GPS, REF49  
 6-26-12, DCH



O.D.O.T. DISTRICT 2 SURVEY OFFICE (USE ONLY)

PERSONNEL \_\_\_\_\_ REFERENCE NO. 24 A SHEET 10 OF 32  
 NOTES HOMAN DATE 6-26-12 ROUTE SR 576  
 H.C. ROUSOS WEATHER CLEAR COUNTY WILLIAMS  
 R.C. HOMAN TEMP. 60° TOWNSHIP SUPERIOR  
 \_\_\_\_\_ SECTION 11  
 \_\_\_\_\_ T 7 N R 2 E

TYPE MONUMENT PK/WASHER  
 ON SURFACE - ~~BELOW~~ ON \_\_\_\_\_  
~~LEFT~~ - ☉ PAV'T - ~~RIGHT~~ ON \_\_\_\_\_  
 \_\_\_\_\_ TO \_\_\_\_\_ EDGE PAVEMENT  
 S.L.M. 563+13.77

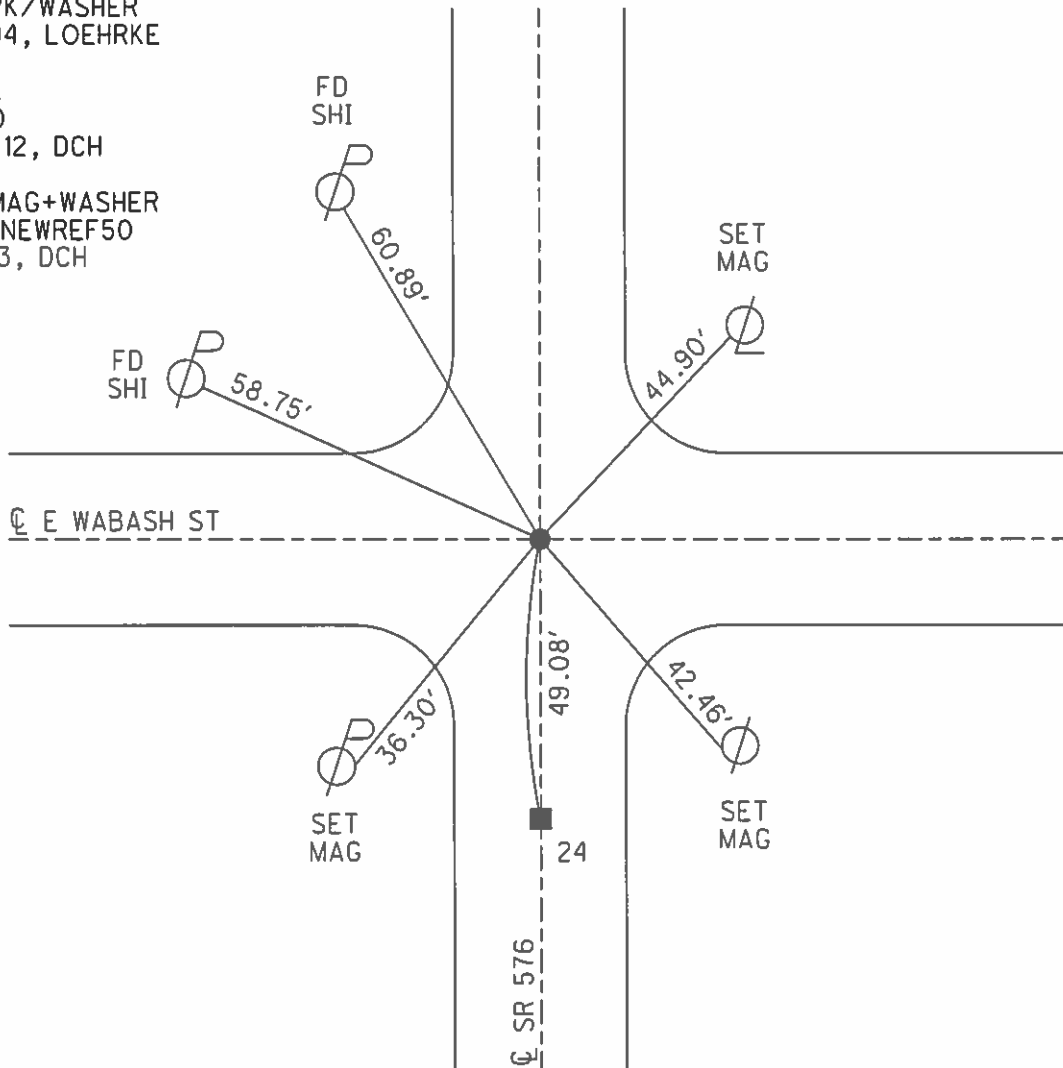


Grid: Northing: 702910.0415 Easting: 1392045.7813

SET PK/WASHER  
8-5-94, LOEHRKE

FD PK  
REF50  
6-26-12, DCH

SET MAG+WASHER  
GPS, NEWREF50  
2-5-13, DCH

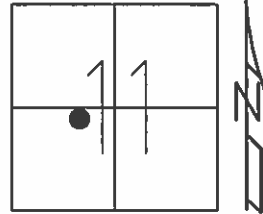


O.D.O.T. DISTRICT 2 SURVEY OFFICE (USE ONLY)

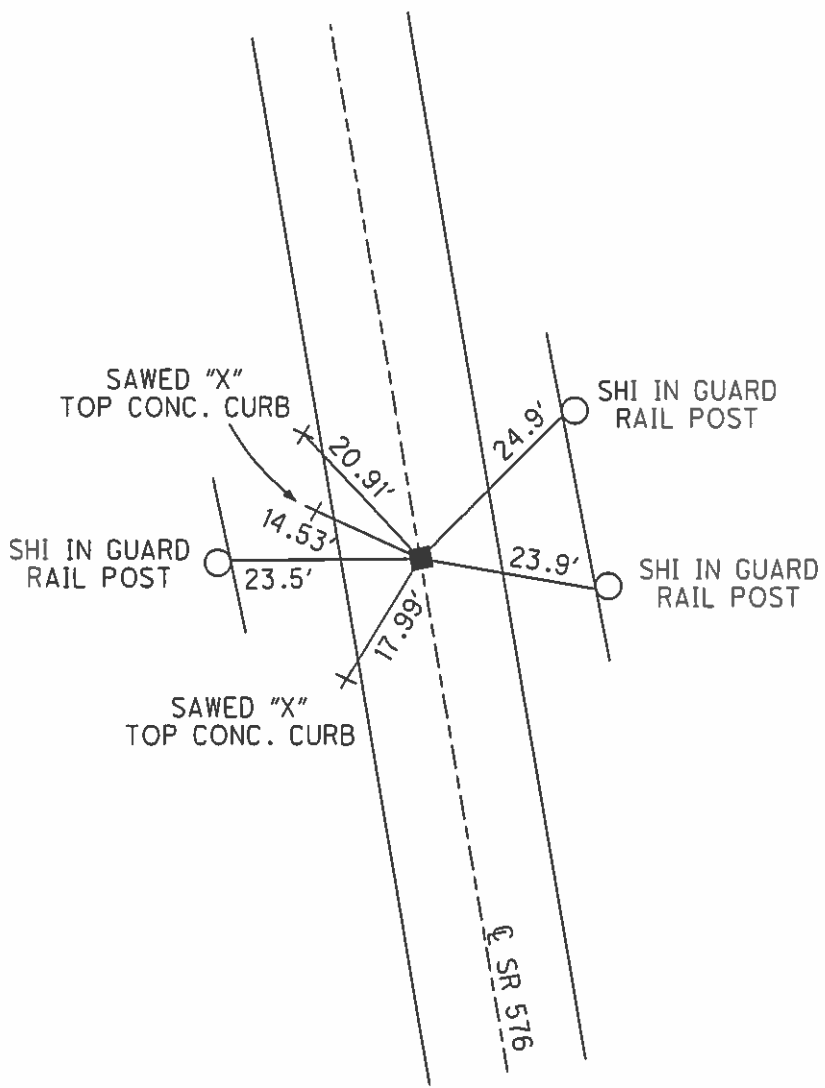
PERSONNEL \_\_\_\_\_ REFERENCE NO. 24 AB SHEET 11 OF 32  
 NOTES HOMAN DATE 6-26-12 ROUTE SR 576  
 H.C. ROUSOS WEATHER CLEAR COUNTY WILLIAMS  
 R.C. HOMAN TEMP. 60° TOWNSHIP SUPERIOR  
 \_\_\_\_\_ SECTION 11  
 \_\_\_\_\_ T 7 N R 2 E

TYPE MONUMENT IRON PIN IN MONBOX  
 ON SURFACE - ~~BELOW~~ ON  
~~LEFT~~ - Q PAV'T - ~~RIGHT~~ ON \_\_\_\_\_  
12.1 TO RT EDGE PAVEMENT  
 S.L.M. 566+19.97

Grid: Northing: 703215.0793 Easting: 1392019.1398



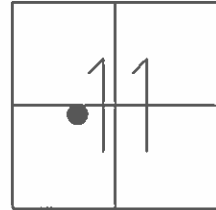
FD MON BOX  
 GPS, REF51  
 6-26-12, DCH



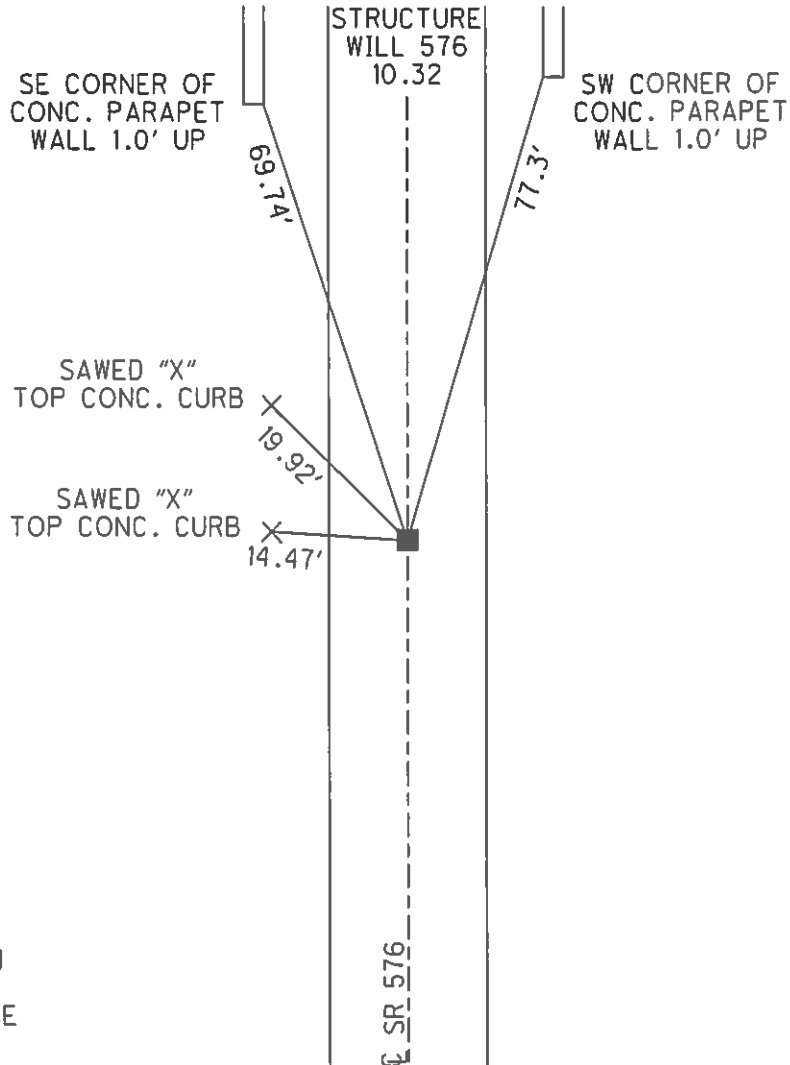
O.D.O.T. DISTRICT 2 SURVEY OFFICE (USE ONLY)

PERSONNEL \_\_\_\_\_ REFERENCE NO. 24 B SHEET 12 OF 32  
 NOTES HOMAN DATE 6-26-12 ROUTE SR 576  
 H.C. ROUSOS WEATHER SUNNY COUNTY WILLIAMS  
 R.C. HOMAN TEMP. 60° TOWNSHIP SUPERIOR  
 \_\_\_\_\_ SECTION 11  
 \_\_\_\_\_ T 7 N R 2 E

TYPE MONUMENT MON BOX  
 ON SURFACE - ~~BELOW~~ ON  
~~LEFT~~ - CL PAV'T - ~~RIGHT~~ ON  
11.8 TO RT EDGE PAVEMENT  
 S.L.M. 569+74.90



Grid: Northing: 703569.0887 Easting: 1391993.6075



FD MON BOX  
 GPS, REF52  
 6-26-12, DCH

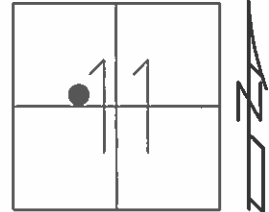
13.8' TO FACE  
 OF RT CURB



O.D.O.T. DISTRICT 2 SURVEY OFFICE (USE ONLY)

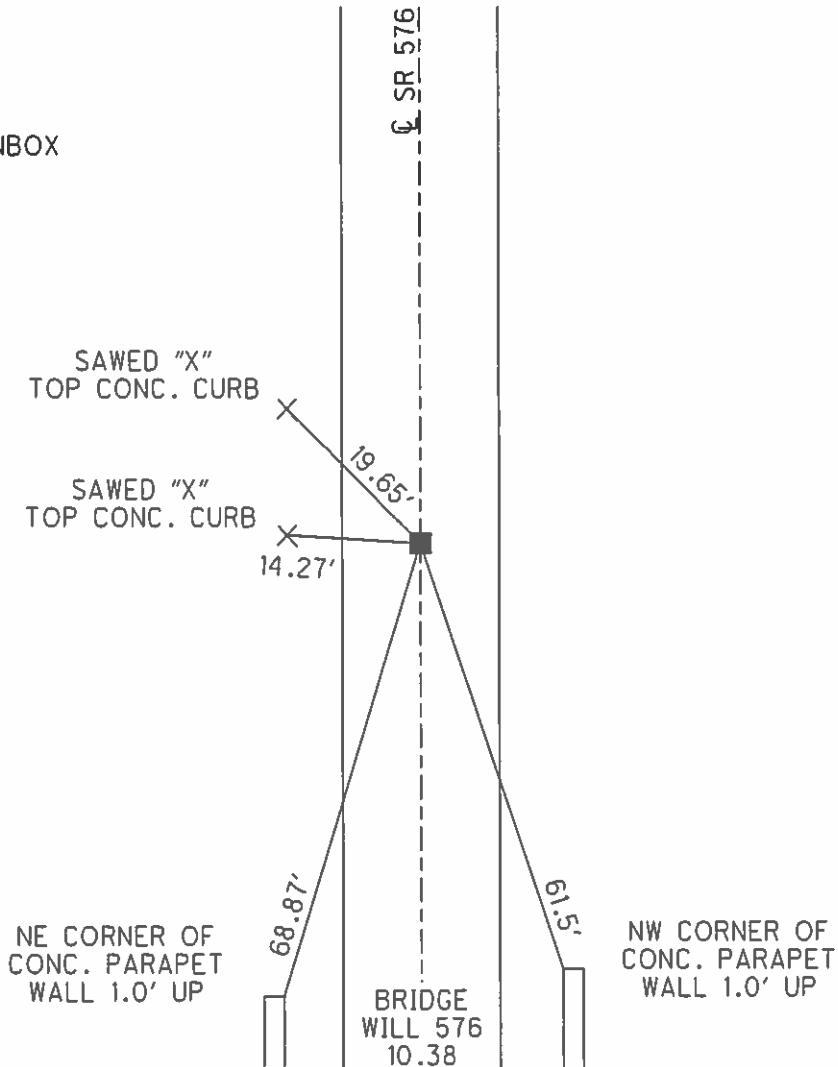
PERSONNEL \_\_\_\_\_ REFERENCE NO. 24 C SHEET 13 OF 32  
 NOTES HOMAN DATE 6-26-12 ROUTE SR 576  
 H.C. ROUSOS WEATHER SUNNY COUNTY WILLIAMS  
 R.C. HOMAN TEMP. 60° TOWNSHIP SUPERIOR  
 \_\_\_\_\_ SECTION 11  
 \_\_\_\_\_ T 7 N R 2 E

TYPE MONUMENT MON BOX (IRON PIN)  
 ON SURFACE - ~~BELOW~~ ON  
~~LEFT~~ - ☉ PAV'T - ~~RIGHT~~ ON  
 \_\_\_\_\_ TO \_\_\_\_\_ EDGE PAVEMENT  
 S.L.M. 574+21.54



Grid: Northing: 704015.586 Easting: 1392003.028

FD MON BOX  
 REF53  
 6-26-12, DCH  
 GPS, REFA53  
 IRON PIN IN MONBOX  
 14.0' TO FACE  
 OF E CURB

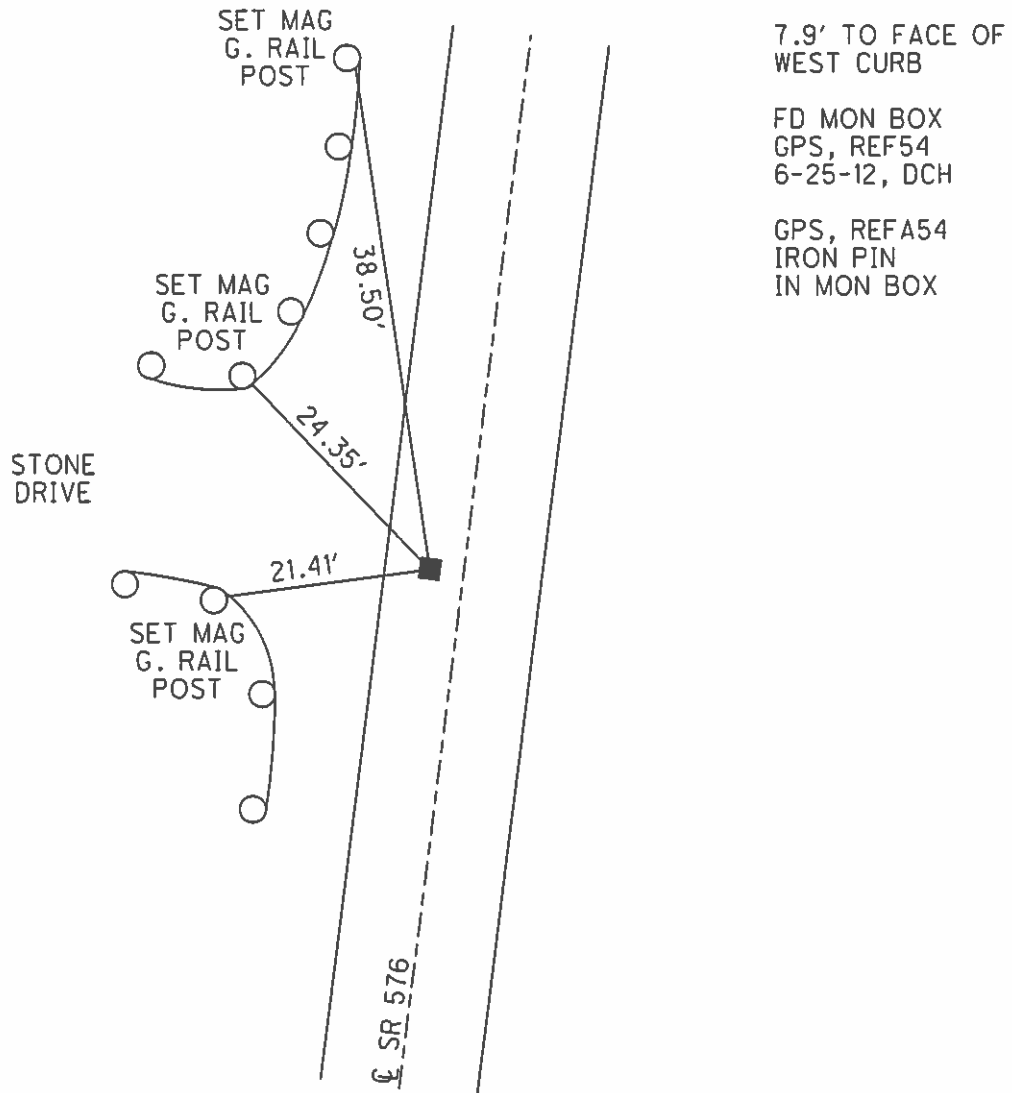
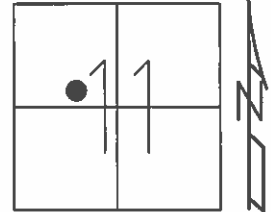


O.D.O.T. DISTRICT 2 SURVEY OFFICE (USE ONLY)

PERSONNEL	REFERENCE NO.	<u>24 D</u>	SHEET	<u>14</u>	OF	<u>32</u>
NOTES	<u>HOMAN</u>	DATE	<u>6-25-12</u>	ROUTE	<u>SR 576</u>	
H.C.	<u>ROUSOS</u>	WEATHER	<u>SUNNY</u>	COUNTY	<u>WILLIAMS</u>	
R.C.	<u>HOMAN</u>	TEMP.	<u>80°</u>	TOWNSHIP	<u>SUPERIOR</u>	
				SECTION	<u>11</u>	
				T	<u>7</u>	R
					<u>N</u>	<u>2</u>
					<u>E</u>	

TYPE MONUMENT IRON PIN IN MONBOX  
 ON SURFACE - ~~BELOW~~ ON  
 LEFT - ☉ PAV'T - ~~RIGHT~~ 6.1'  
5.9 TO LT EDGE PAVEMENT  
 S.L.M. 579+94.37

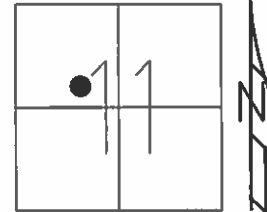
Grid: Northing: 704588.337 Easting: 1392015.033



O.D.O.T. DISTRICT 2 SURVEY OFFICE (USE ONLY)

PERSONNEL \_\_\_\_\_ REFERENCE NO. 25 SHEET 15 OF 32  
 NOTES HOMAN DATE 6-25-12 ROUTE SR 576  
 H.C. ROUSOS WEATHER SUNNY COUNTY WILLIAMS  
 R.C. HOMAN TEMP. 75° TOWNSHIP SUPERIOR  
 \_\_\_\_\_ SECTION 11  
 \_\_\_\_\_ T 7 N R 2 E

TYPE MONUMENT 1/2" IRON PIPE  
 ON SURFACE - ~~BELOW~~ ON \_\_\_\_\_  
~~LEFT~~ -  $\odot$  PAV'T - RIGHT 19.2'  
 \_\_\_\_\_ TO \_\_\_\_\_ EDGE PAVEMENT  
 S.L.M. 583+52.42

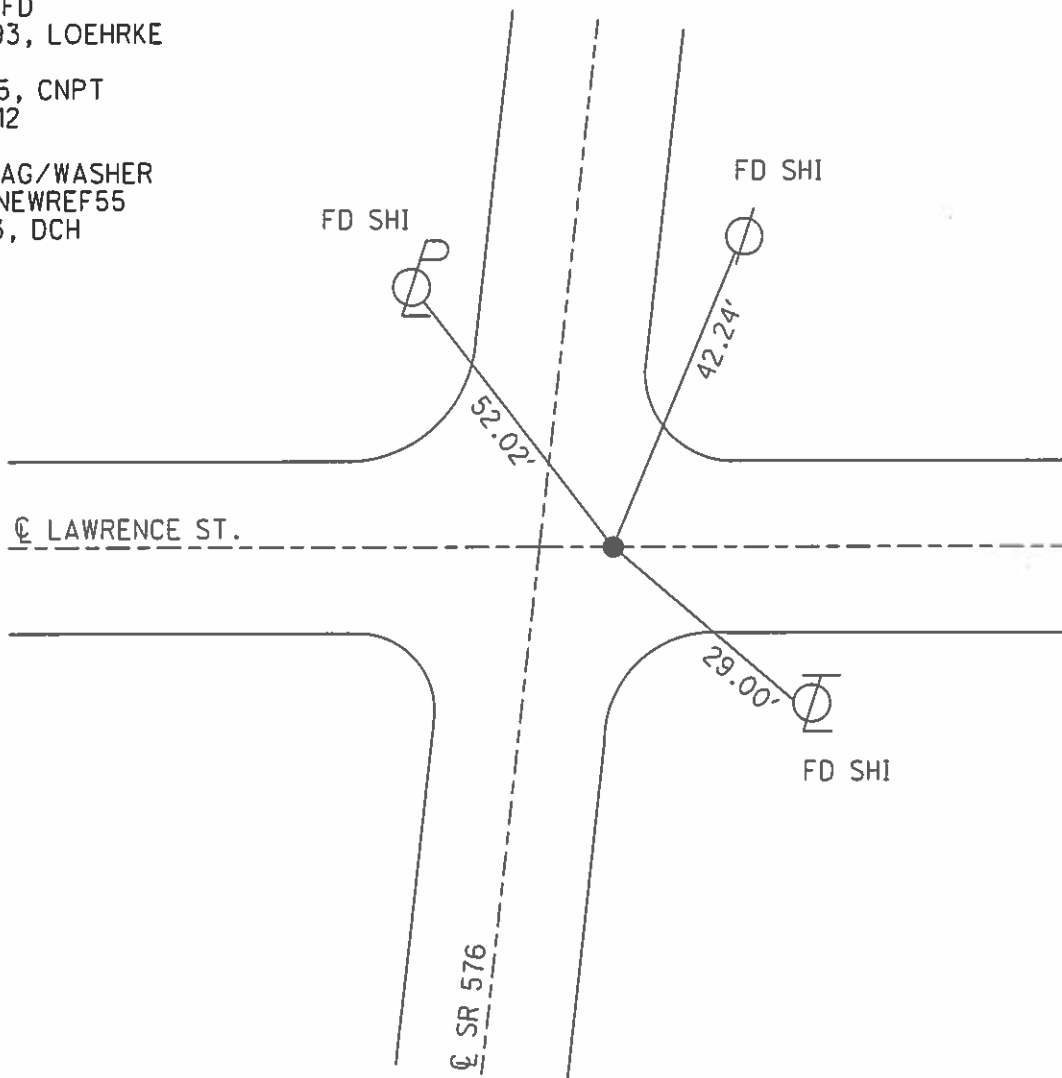


Grid: Northing: 704938.757 Easting: 1392088.421

IPIPE FD  
 6-15-93, LOEHRKE

REF 55, CNPT  
 6-25-12

SET MAG/WASHER  
 GPS, NEWREF55  
 2-5-13, DCH

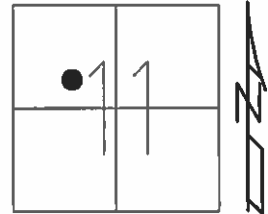


O.D.O.T. DISTRICT 2 SURVEY OFFICE (USE ONLY)

PERSONNEL \_\_\_\_\_ REFERENCE NO. 26 SHEET 16 OF 32

NOTES HOMAN DATE 6-25-12 ROUTE SR 576  
 H.C. ROUSOS WEATHER SUNNY COUNTY WILLIAMS  
 R.C. HOMAN TEMP. 80° TOWNSHIP SUPERIOR  
 \_\_\_\_\_ SECTION 11  
 \_\_\_\_\_ T 7 N R 2 E

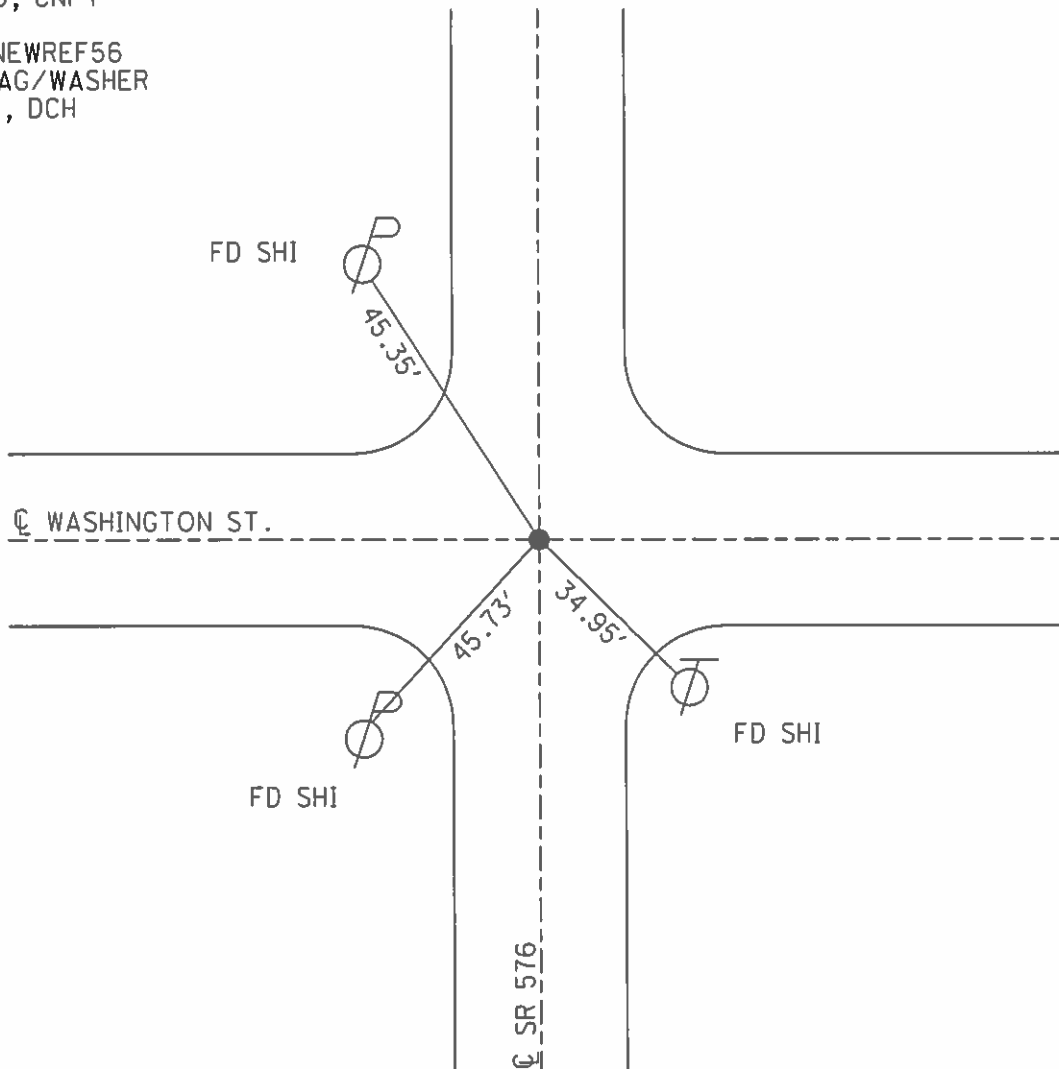
TYPE MONUMENT PK  
 ON SURFACE - ~~BELOW~~ ON  
~~LEFT~~ - Q PAV'T - ~~RIGHT~~ ON  
 \_\_\_\_\_ TO \_\_\_\_\_ EDGE PAVEMENT  
 S.L.M. 594+78.08



Grid: Northing: 706064.118 Easting: 1392116.334

REF 56, CNPT

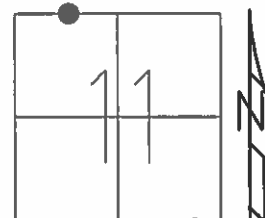
GPS, NEWREF56  
 SET MAG/WASHER  
 2-5-13, DCH



O.D.O.T. DISTRICT 2 SURVEY OFFICE (USE ONLY)

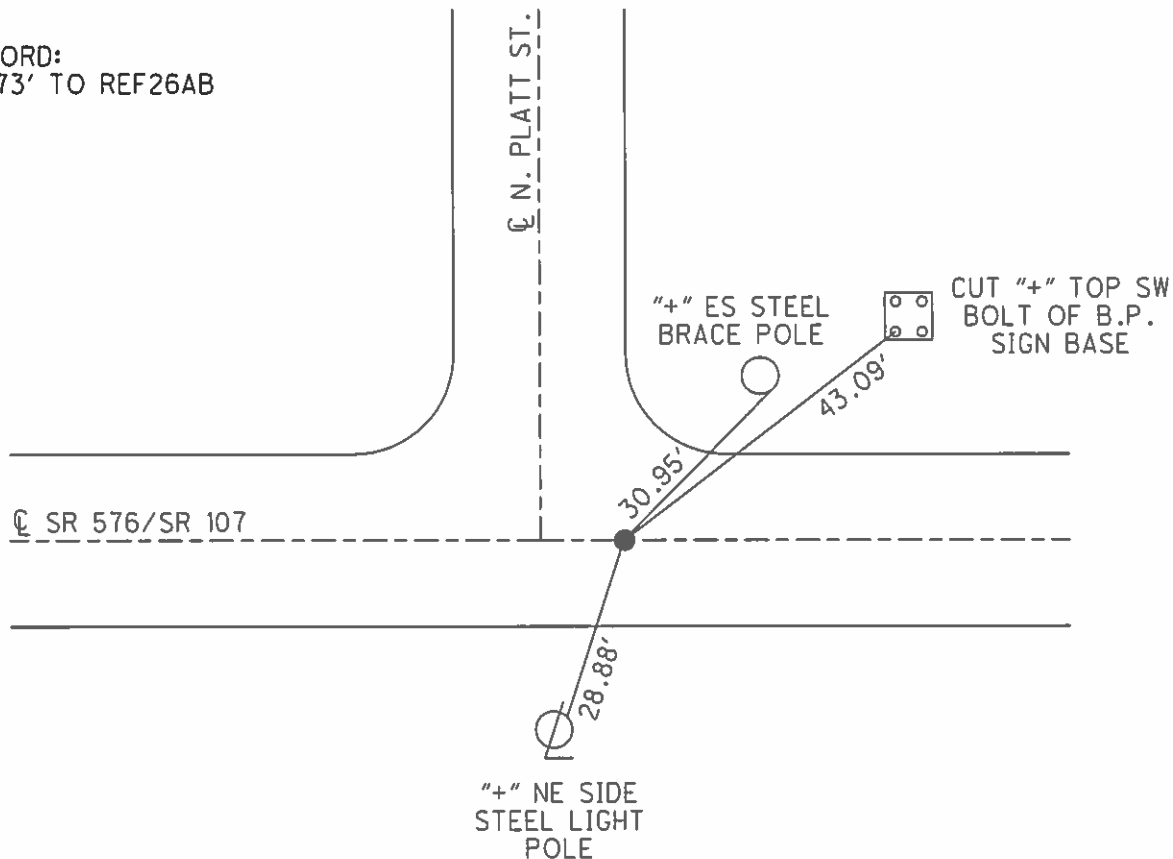
PERSONNEL \_\_\_\_\_ REFERENCE NO. 26 A SHEET 17 OF 32  
 NOTES LOEHRKE DATE 6-16-93 ROUTE SR 576  
 H.C. ROMETO WEATHER CLEAR COUNTY WILLIAMS  
 R.C. CANTERBURY TEMP. 65° TOWNSHIP SUPERIOR  
 \_\_\_\_\_ SECTION 11  
 \_\_\_\_\_ T 7 N R 2 E

TYPE MONUMENT PK NAIL  
 ON SURFACE - ~~BELOW~~ ON \_\_\_\_\_  
~~LEFT~~ - ☉ PAV'T - ~~RIGHT~~ ON \_\_\_\_\_  
22.0 TO LT EDGE PAVEMENT  
 S.L.M. 597+70.57



Grid: Northing: \_\_\_\_\_ Easting: \_\_\_\_\_

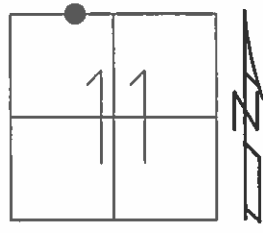
RECORD:  
 47.73' TO REF26AB



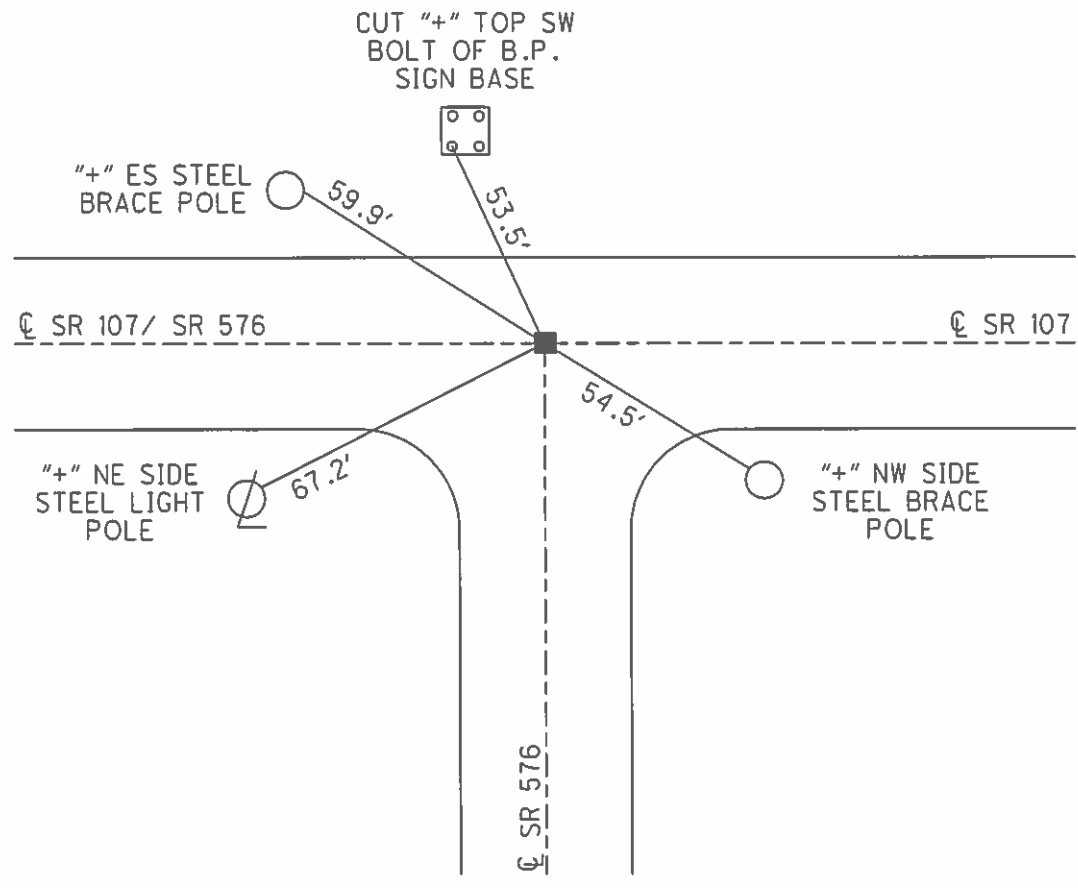
O.D.O.T. DISTRICT 2 SURVEY OFFICE (USE ONLY)

PERSONNEL \_\_\_\_\_ REFERENCE NO. 26 AB SHEET 18 OF 32  
 NOTES LOEHRKE DATE 6-16-93 ROUTE SR 576  
 H.C. ROMETO WEATHER CLEAR COUNTY WILLIAMS  
 R.C. CANTERBURY TEMP. 65° TOWNSHIP SUPERIOR  
CORDES SECTION 11  
 T 7 N R 2 E

TYPE MONUMENT MON BOX  
~~ON SURFACE~~ - BELOW 2"  
~~LEFT~~ - ☉ PAV'T - ~~RIGHT~~ ON \_\_\_\_\_  
22.0' TO LT EDGE PAVEMENT  
 S.L.M. 598+18.30  
 Grid: Northing: 706404.2072 Easting: 1392124.8510



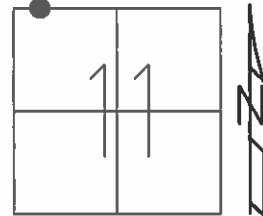
FD MON BOX  
 GPS, REF57  
 2/5/13, DCH  
 47.73' TO REF26A



O.D.O.T. DISTRICT 2 SURVEY OFFICE (USE ONLY)

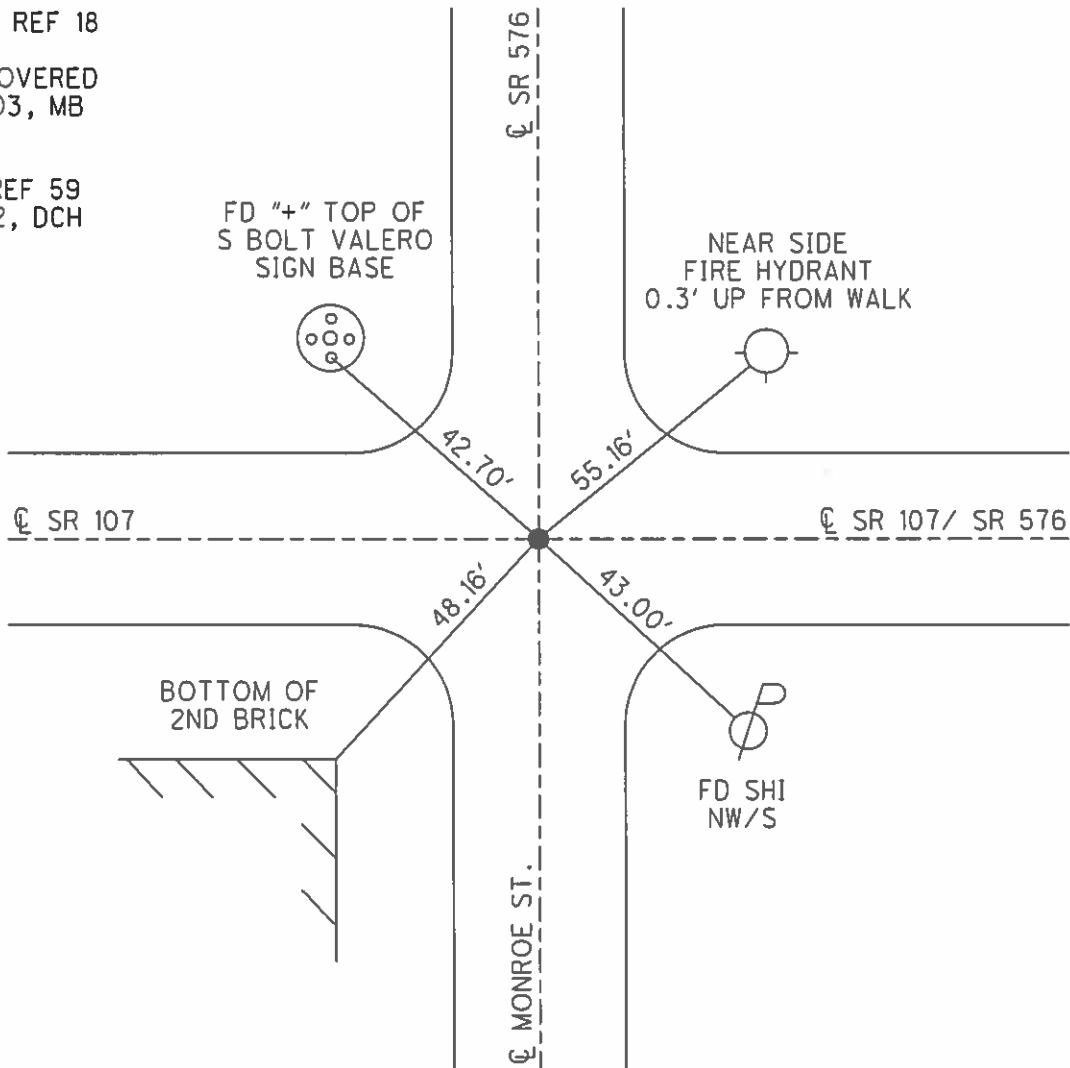
PERSONNEL \_\_\_\_\_ REFERENCE NO. 26 B SHEET 19 OF 32  
 NOTES HOMAN DATE 6-21-12 ROUTE SR 576  
 H.C. ROUSOS WEATHER SUNNY COUNTY WILLIAMS  
 R.C. HOMAN TEMP. 80° TOWNSHIP SUPERIOR  
 \_\_\_\_\_ SECTION 11  
 \_\_\_\_\_ T 7 N R 2 E

TYPE MONUMENT PK/WASHER  
 ON SURFACE - ~~BELOW~~ ON \_\_\_\_\_  
~~LEFT~~ - ☉ PAV'T - ~~RIGHT~~ ON, BOTH \_\_\_\_\_  
 \_\_\_\_\_ TO \_\_\_\_\_ EDGE PAVEMENT  
 S.L.M. 611+84.75



Grid: Northing: 706427.9990 Easting: 1390758.6048

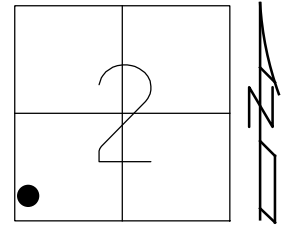
NOTE:  
 SR 107 REF 18  
 NOT COVERED  
 8-25-03, MB  
 FD PK  
 GPS, REF 59  
 6-21-12, DCH



O.D.O.T. DISTRICT 2 SURVEY OFFICE (USE ONLY)

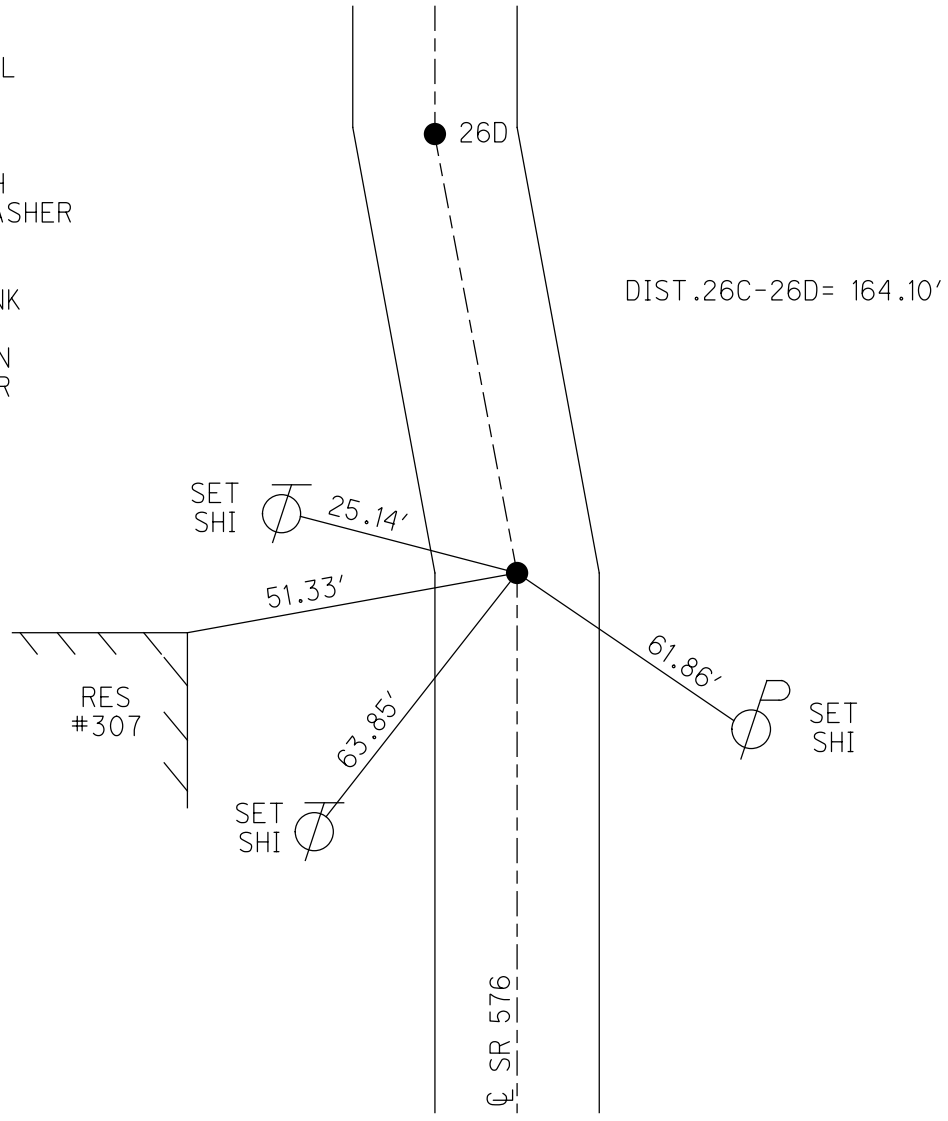
PERSONNEL \_\_\_\_\_ REFERENCE NO. 26 C SHEET 20 OF 33  
 NOTES HOMAN DATE 6/19/12 ROUTE SR 576  
 H.C. ROUSOS WEATHER SUNNY COUNTY WILLIAMS  
 R.C. HOMAN TEMP. 80° TOWNSHIP SUPERIOR  
 DWG BY RHOADES PID CHIP SEAL SECTION 2  
 T 7 N R 2 E

TYPE MONUMENT P.K.NAIL  
 ON SURFACE - ~~BELOW~~ ON  
 OFFSET ☉ PAVEMENT ON LT : RT  
13.6' TO RT EDGE PAVEMENT  
 STATION: 618+14.63



HORZ.DATUM: NAD83 2011 GEOID: NAVD88 2018  
 GRID: NORTHING: 707057.861 EASTING: 1390769.343

RECORD:  
 SET P.K.NAIL  
 IRS, 9-4-86  
 CNPT  
 REF60  
 6-21-12, DCH  
 SET MAG/WASHER  
 NEWREF60  
 2-5-13, DCH  
 FD P.K.SHANK  
 REFC26  
 7/5/22, TDN  
 3/8/23, JMR



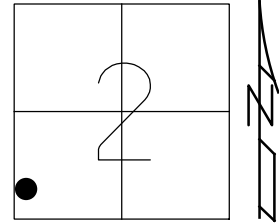


O.D.O.T. DISTRICT 2 SURVEY OFFICE (USE ONLY)

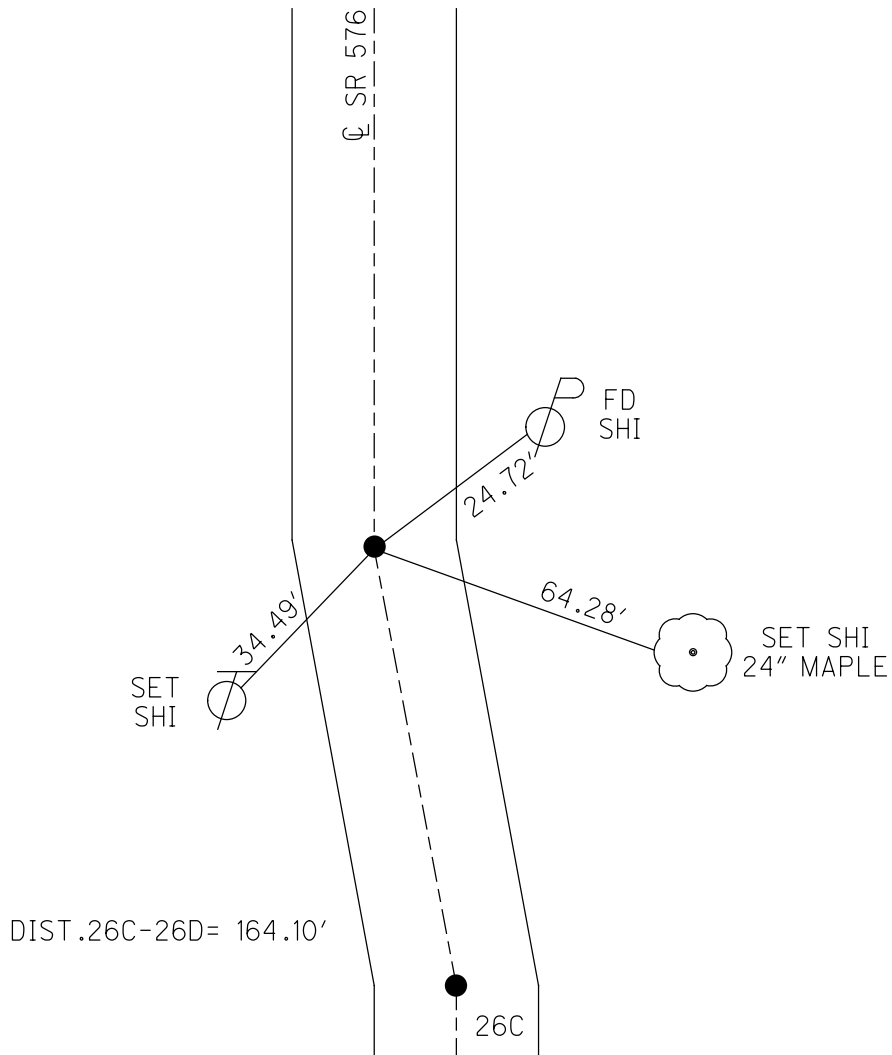
PERSONNEL \_\_\_\_\_ REFERENCE NO. 26 D SHEET 21 OF 33  
 NOTES HOMAN DATE 6/19/12 ROUTE SR 576  
 H.C. ROUSOS WEATHER SUNNY COUNTY WILLIAMS  
 R.C. HOMAN TEMP. 80° TOWNSHIP SUPERIOR  
 DWG BY RHOADES PID CHIP SEAL SECTION 2  
 T 7 N R 2 E

TYPE MONUMENT P.K.NAIL  
 ON SURFACE - ~~BELOW~~ ON  
 OFFSET ☉ PAVEMENT ON LT : RT  
15.9' TO RT EDGE PAVEMENT  
 STATION: 619+78.64

HORIZ.DATUM: NAD83 2011 GEOID: NAVD88 2018  
 GRID: NORTHING: 707218.681 EASTING: 1390737.518



RECORD:  
 SET P.K.NAIL  
 9-4-86, IRS  
 FD P.K.NAIL  
 REF61  
 6-19-12, DCH  
 SET P.K./WASHER  
 NEWREF61  
 2/5/13, DCH  
 FD P.K./WASHER  
 REF61  
 7/5/22, TDN  
 3/8/23, JMR



DIST .26C-26D= 164.10'

O.D.O.T. DISTRICT 2 SURVEY OFFICE (USE ONLY)

PERSONNEL \_\_\_\_\_

REFERENCE NO. 26 DE

SHEET 22 OF 33

NOTES HOMAN

DATE 6/21/12

ROUTE SR 576

H.C. ROUSOS

WEATHER SUNNY

COUNTY WILLIAMS

R.C. HOMAN

TEMP. 80°

TOWNSHIP SUPERIOR

SECTION 2

DWG BY RHOADES

PID CHIP SEAL

T 7 N R 2 E

TYPE MONUMENT IPIN

ON SURFACE - ~~BELOW~~ ON

OFFSET ☉ PAVEMENT 3' ~~±~~ : RT

- TO - EDGE PAVEMENT

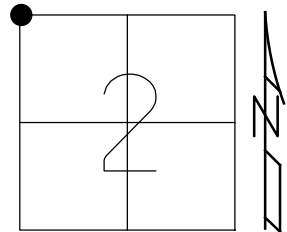
STATION: 664+77.52

HORIZ.DATUM: NAD83 2011

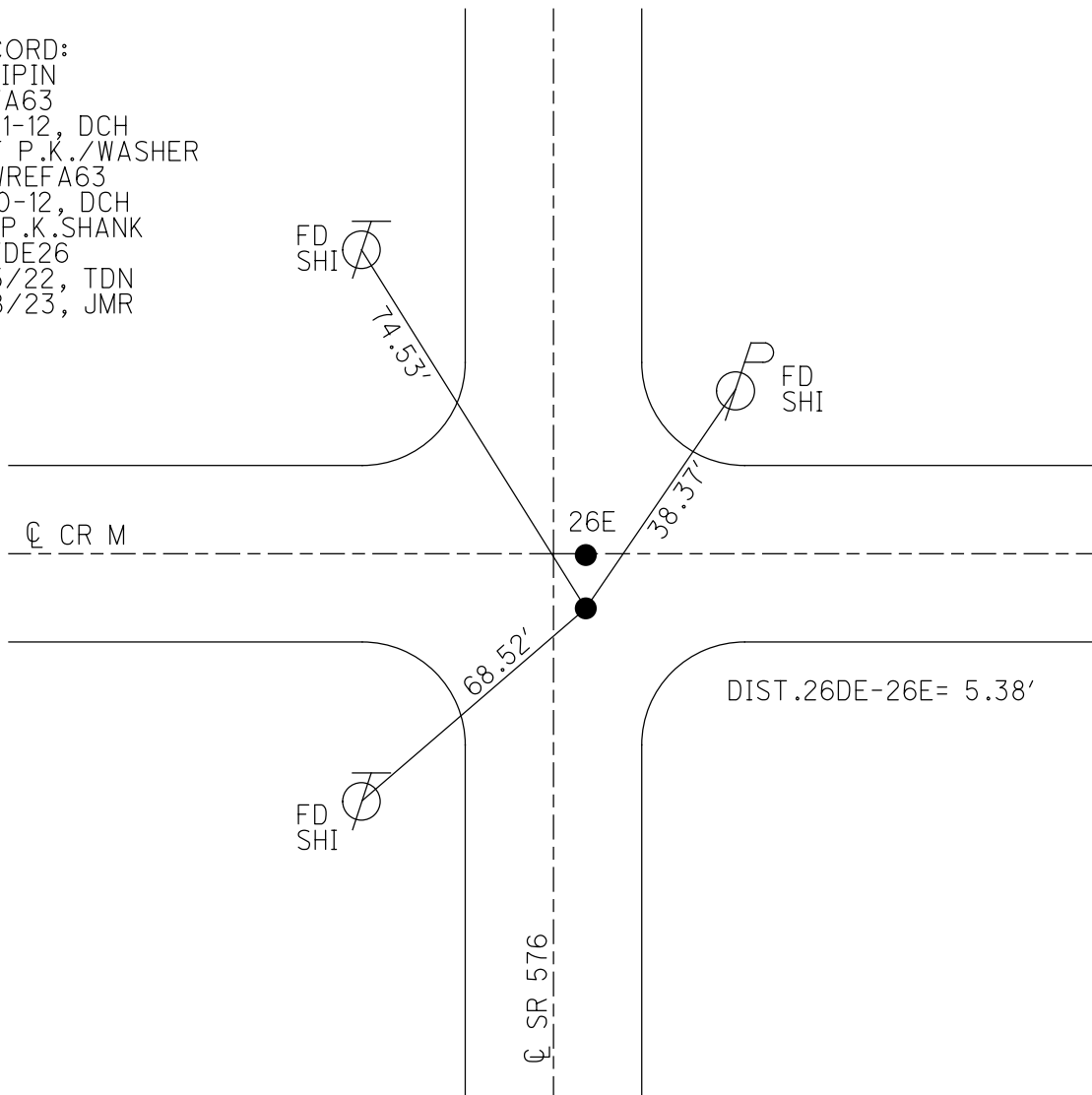
GEOID: NAVD88 2018

GRID: NORTHING: 711710.044

EASTING: 1390585.544



RECORD:  
 FD IPIN  
 REFA63  
 6-21-12, DCH  
 SET P.K./WASHER  
 NEWREFA63  
 7-10-12, DCH  
 FD P.K.SHANK  
 REFDE26  
 7/5/22, TDN  
 3/8/23, JMR



O.D.O.T. DISTRICT 2 SURVEY OFFICE (USE ONLY)

PERSONNEL

REFERENCE NO. 26 E

SHEET 23 OF 33

NOTES HOMAN  
 H.C. ROUSOS  
 R.C. HOMAN

DATE 6/21/12  
 WEATHER SUNNY  
 TEMP. 80°

ROUTE SR 576  
 COUNTY WILLIAMS  
 TOWNSHIP SUPERIOR  
 SECTION 2  
 T 7 N R 2 E

DWG BY RHOADES PID CHIP SEAL

TYPE MONUMENT P.K.NAIL

ON SURFACE - ~~BELOW~~ ON

OFFSET  $\varnothing$  PAVEMENT 5' ~~LF~~ : RT

- TO - EDGE PAVEMENT

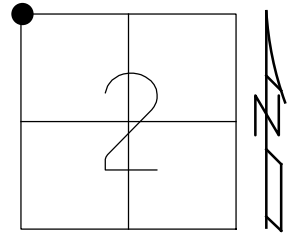
STATION: 664+82.90

HORZ.DATUM: NAD83 2011

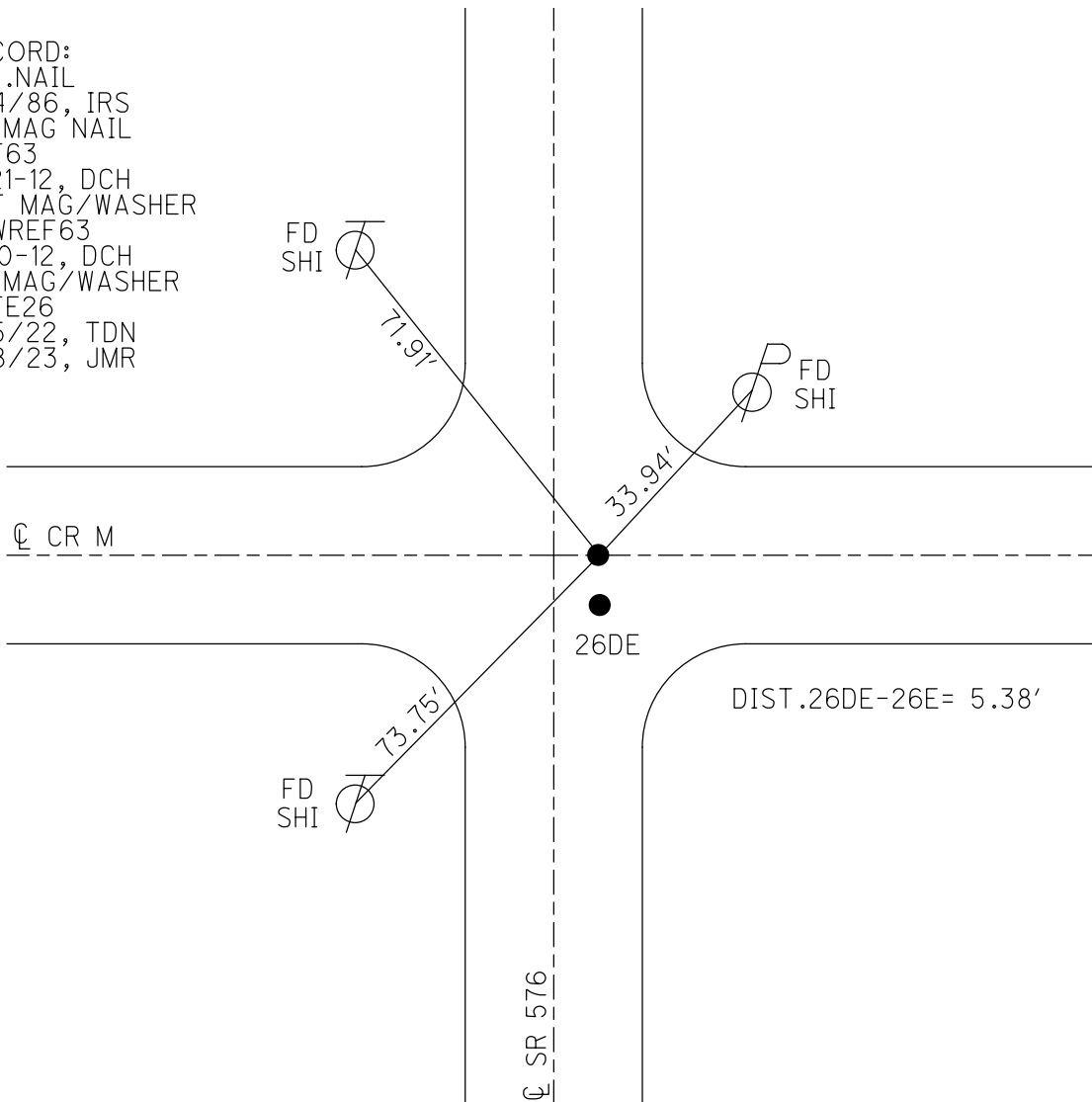
GEOID: NAVD88 2018

GRID: NORTHING: 711714.979

EASTING: 1390587.686



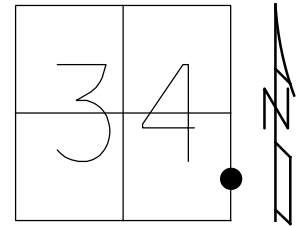
RECORD:  
 P.K.NAIL  
 9/4/86, IRS  
 FD MAG NAIL  
 REF63  
 6-21-12, DCH  
 SET MAG/WASHER  
 NEWREF63  
 7-10-12, DCH  
 FD MAG/WASHER  
 REFE26  
 7/5/22, TDN  
 3/8/23, JMR



O.D.O.T. DISTRICT 2 SURVEY OFFICE (USE ONLY)

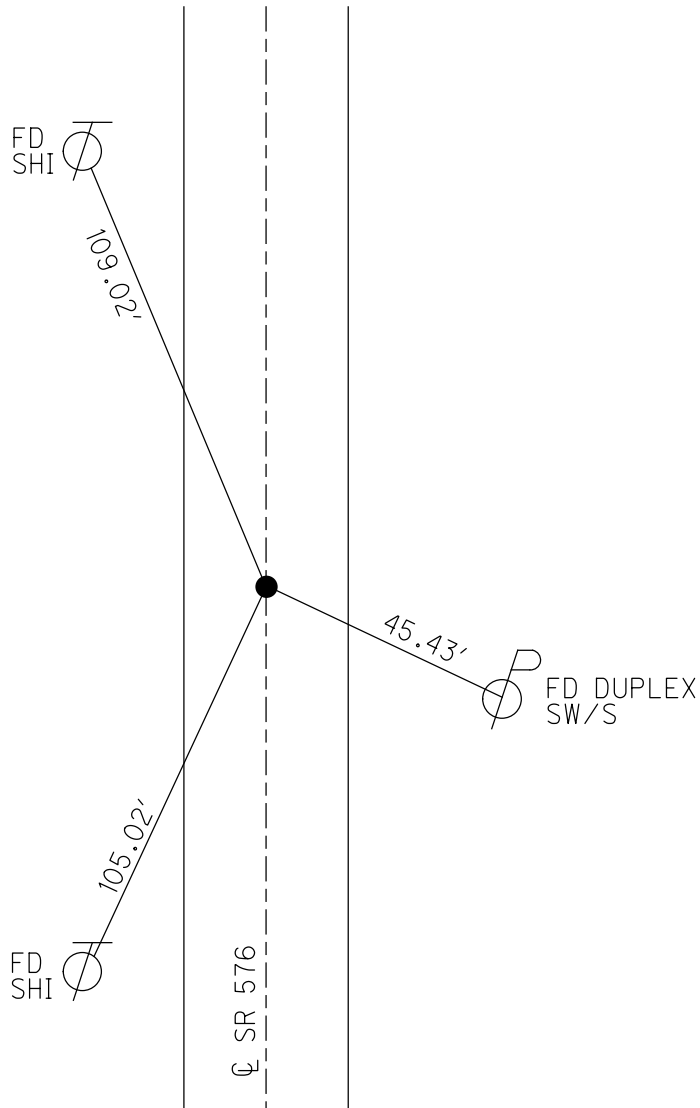
PERSONNEL \_\_\_\_\_ REFERENCE NO. 27 SHEET 24 OF 33  
 NOTES HOMAN DATE 6/21/12 ROUTE SR 576  
 H.C. ROUSOS WEATHER SUNNY COUNTY WILLIAMS  
 R.C. HOMAN TEMP. 80° TOWNSHIP SUPERIOR  
 DWG BY RHOADES PID CHIP SEAL SECTION 34  
 T 8 N R 2 E

TYPE MONUMENT R.R.SPIKE  
 ON SURFACE - ~~BELOW~~ ON  
 OFFSET  $\varnothing$  PAVEMENT 0.5' LT : ~~RT~~  
10.6' TO LT EDGE PAVEMENT  
 STATION: 675+39.52



HORZ.DATUM: NAD83 2011 GEOID: NAVD88 2018  
 GRID: NORTHING: 712771.648 EASTING: 1390594.756

RECORD: P.I.  
 STA.675+97.71  
 $\Delta = 0^\circ 41' 04''$  RT  
 SET SM.SPIKE  
 9-4-86, IRS  
 FD R.R.SPIKE  
 REF64  
 6-21-12, DCH  
 SET MAG/WASHER  
 NEWREF64  
 7-10-12, DCH  
 FD P.K./WASHER  
 REF27  
 4-22-16, JFO  
 FD MAG/WASHER  
 REF27  
 7/5/22, TDN  
 3/8/23, JMR



O.D.O.T. DISTRICT 2 SURVEY OFFICE (USE ONLY)

PERSONNEL

REFERENCE NO. 27 A

SHEET 25 OF 33

NOTES RHOADES

DATE 9/6/16

ROUTE SR 576

H.C. O'DONNELL

WEATHER CLEAR

COUNTY WILLIAMS

R.C. RHOADES

TEMP. 78°

TOWNSHIP SUPERIOR

DWG BY RHOADES PID CHIP SEAL

SECTION 34

T 8 N R 2 E

TYPE MONUMENT R.R.SPIKE

ON SURFACE - ~~BELOW~~ ON

OFFSET ☉ PAVEMENT 1' ~~LT~~ : RT

11.3' TO LT EDGE PAVEMENT

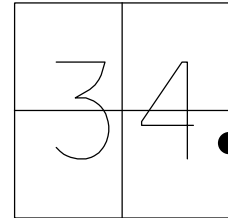
STATION: 681+45.17

HORZ.DATUM: NAD83 2011

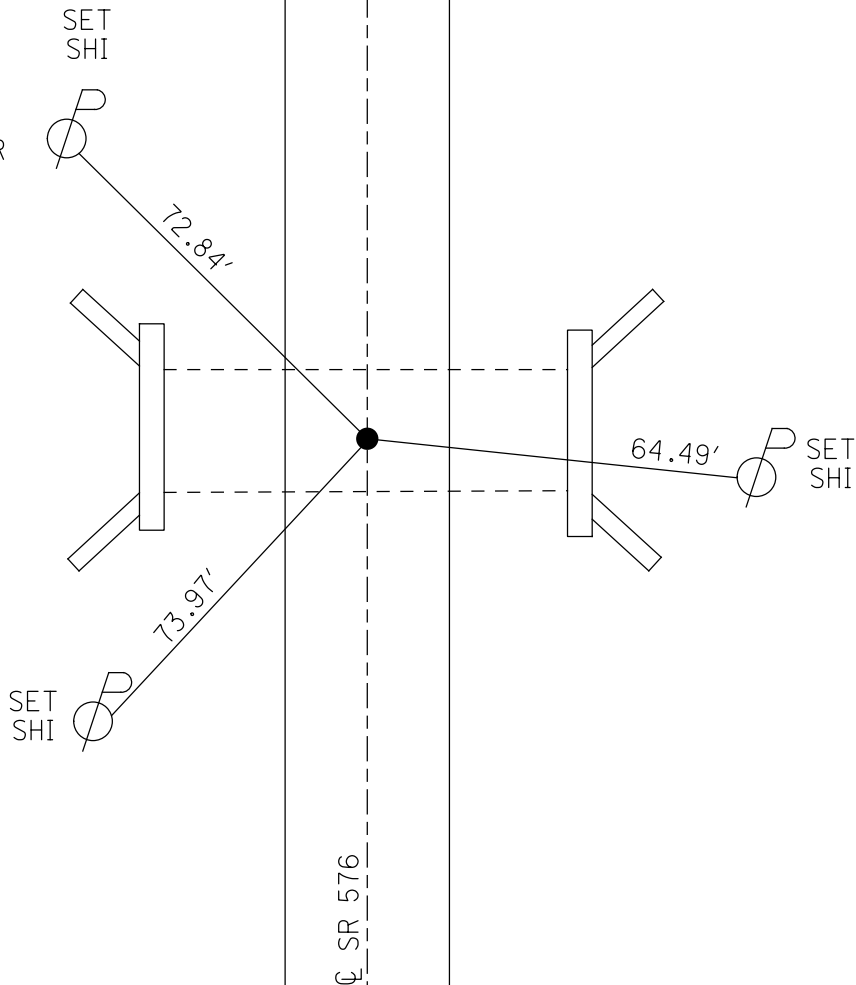
GEOID: NAVD88 2018

GRID: NORTHING: 713377.259

EASTING: 1390606.015



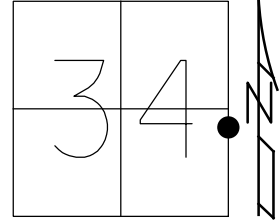
RECORD: P.I.  
 STA. 682+03.31  
 $\Delta = 0^\circ 12' 23''$  RT  
 SET SM.SPIKE  
 9-4-86, IRS  
 FD R.R.SPIKE  
 REF65  
 6-21-12, DCH  
 SET MAG/WASHER  
 NEWREF65  
 7-10-12, DCH  
 FD MAG/WASHER  
 REFA27  
 9/6/16, JFO  
 FD MAG/WASHER  
 REFA27  
 7/5/22, TDN  
 3/8/23, JMR



O.D.O.T. DISTRICT 2 SURVEY OFFICE (USE ONLY)

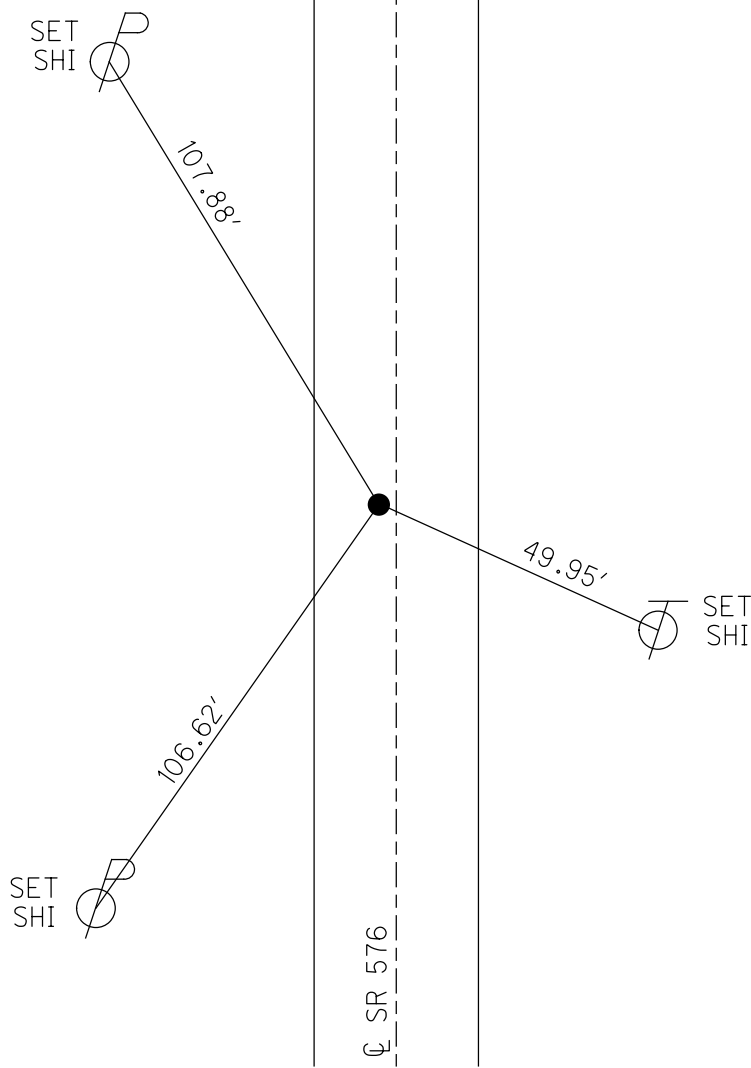
PERSONNEL \_\_\_\_\_ REFERENCE NO. 27 AA SHEET 26 OF 33  
 NOTES NIESE DATE 7/5/22 ROUTE SR 576  
 H.C. NIESE WEATHER BREEZY COUNTY WILLIAMS  
 R.C. WHITAKER TEMP. 80° TOWNSHIP SUPERIOR  
 DWG BY RHOADES PID CHIP SEAL SECTION 34  
 T 8 N R 2 E

TYPE MONUMENT MAG NAIL  
 ON SURFACE - ~~BELOW~~ ON  
 OFFSET ☐ PAVEMENT 1.0' LT : ~~RT~~  
- TO - EDGE PAVEMENT  
 STATION: 685+41.66



HORZ.DATUM: NAD83 2011 GEOID: NAVD88 2018  
 GRID: NORTHING: 713773.751 EASTING: 1390614.821

RECORD:  
 FD MAG NAIL  
 REFAA27  
 7/5/22, TDN  
 3/8/23, JMR



O.D.O.T. DISTRICT 2 SURVEY OFFICE (USE ONLY)

PERSONNEL

REFERENCE NO. 27 B

SHEET 27 OF 33

NOTES NIESE

DATE 7/5/22

ROUTE SR 576

H.C. NIESE

WEATHER BREEZY

COUNTY WILLIAMS

R.C. WHITAKER

TEMP. 80°

TOWNSHIP SUPERIOR

SECTION 34

DWG BY RHOADES

PID CHIP SEAL

T 8 N R 2 E

TYPE MONUMENT P.K./WASHER

ON SURFACE - ~~BELOW~~ ON

OFFSET ℄ PAVEMENT 1' LT : ~~RT~~

11.2' TO LT EDGE PAVEMENT

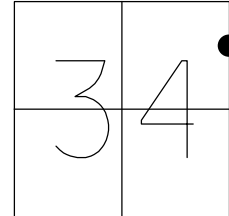
STATION: 701+70.13

HORIZ.DATUM: NAD83 2011

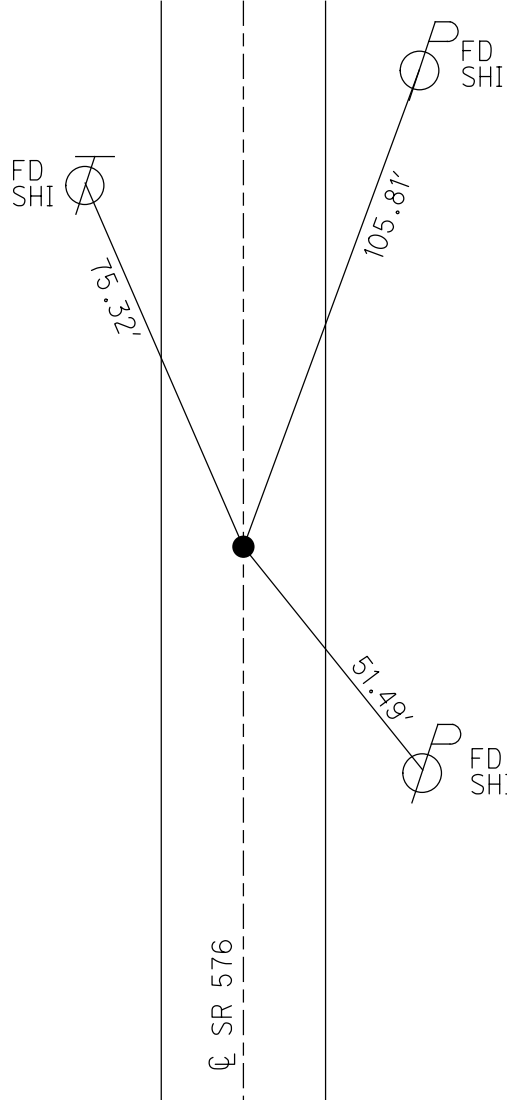
GEOID: NAVD88 2018

GRID: NORTHING: 715401.707

EASTING: 1390651.224



RECORD:  
 SET SM.R.R.SPIKE  
 9-4-86, IRS  
 FD 3/4" IPIPE  
 REF66  
 6-19-12, DCH  
 SET P.K./WASHER  
 NEWREF66  
 7-11-12, DCH  
 FD P.K./WASHER  
 REFB27  
 4-22-16, JFO  
 FD MAG NAIL  
 REFB27  
 7/5/22, TDN  
 3/8/23, JMR



O.D.O.T. DISTRICT 2 SURVEY OFFICE (USE ONLY)

PERSONNEL

REFERENCE NO. 28

SHEET 28 OF 33

NOTES HOMAN

DATE 6/19/12

ROUTE SR 576

H.C. ROUSOS

WEATHER SUNNY

COUNTY WILLIAMS

R.C. HOMAN

TEMP. 90°

TOWNSHIP BRIDGEWATER

SECTION 1

DWG BY RHOADES

PID CHIP SEAL

T 10 S R 3 W

TYPE MONUMENT P.K.NAIL

ON SURFACE - ~~BELOW~~ ON

OFFSET  $\odot$  PAVEMENT 7.3' LT : ~~RT~~

3.7' TO LT EDGE PAVEMENT

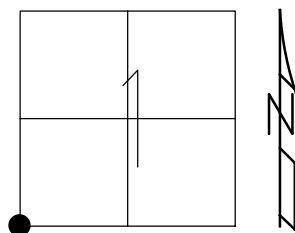
STATION: 741+34.12

HORIZ.DATUM: NAD83 2011

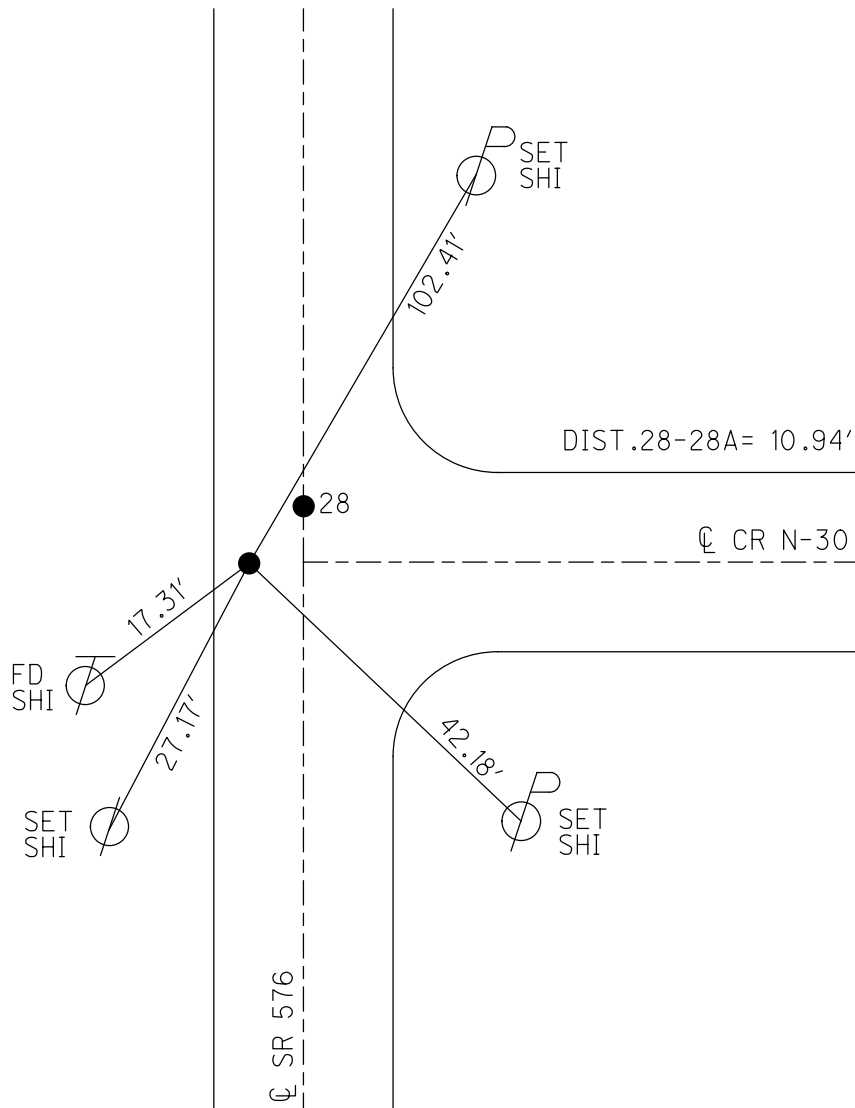
GEOID: NAVD88 2018

GRID: NORTHING: 719294.727

EASTING: 1391193.564



RECORD:  
 FD P.K.NAIL  
 4/8/86, IRS  
 SET P.K.NAIL  
 9-4-86, IRS  
 FD P.K.NAIL  
 REF68  
 SET P.K./WASHER  
 NEWREF68  
 7-23-12, DCH  
 FD P.K./WASHER  
 REFA28  
 7/5/22, TDN  
 3/8/23, JMR





O.D.O.T. DISTRICT 2 SURVEY OFFICE (USE ONLY)

PERSONNEL

REFERENCE NO. 28 A

SHEET 29 OF 33

NOTES HOMAN

DATE 6/19/12

ROUTE SR 576

H.C. ROUSOS

WEATHER SUNNY

COUNTY WILLIAMS

R.C. HOMAN

TEMP. 90°

TOWNSHIP BRIDGEWATER

SECTION 1

DWG BY RHOADES

PID CHIP SEAL

T 10 S R 3 W

TYPE MONUMENT P.K.NAIL

~~ON SURFACE~~ - BELOW 1"

OFFSET CL PAVEMENT ON LT : RT

11.1' TO LT EDGE PAVEMENT

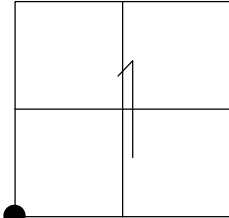
STATION: 741+42.28

HORIZ.DATUM: NAD83 2011

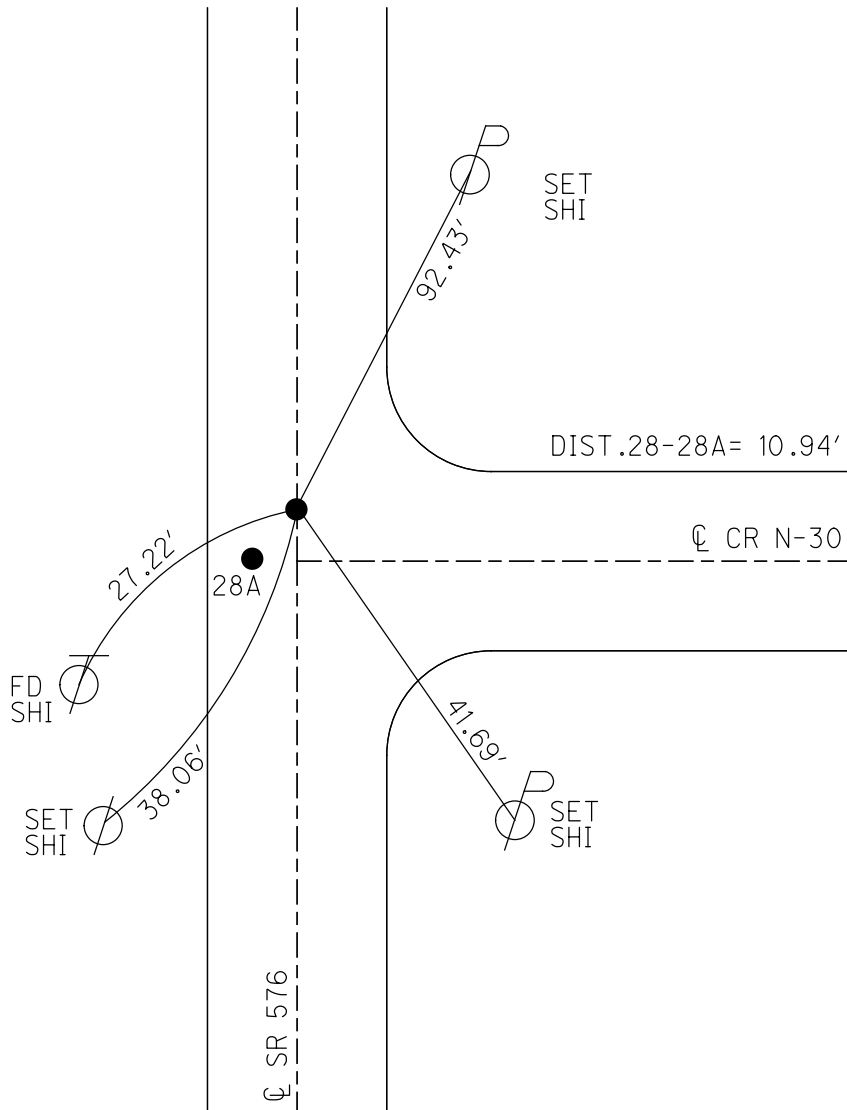
GEOID: NAVD88 2018

GRID: NORTHING: 719302.703

EASTING: 1391201.050



RECORD:  
 FD P.K.NAIL  
 4/8/86, IRS  
 SET P.K.NAIL  
 9-4-86, IRS  
 FD P.K.NAIL  
 1" DOWN  
 REF67  
 SET P.K./WASHER  
 NEWREF67  
 7-23-12, DCH  
 FD P.K./WASHER  
 REF28  
 7/5/22, TDN  
 3/8/23, JMR



O.D.O.T. DISTRICT 2 SURVEY OFFICE (USE ONLY)

PERSONNEL

REFERENCE NO. 29

SHEET 30 OF 33

NOTES HOMAN DATE 6/19/12

H.C. ROUSOS WEATHER SUNNY

R.C. HOMAN TEMP. 90°

ROUTE SR 576

COUNTY WILLIAMS

TOWNSHIP BRIDGEWATER

SECTION 2

T 10 S R 3 W

DWG BY RHOADES PID CHIP SEAL

TYPE MONUMENT 3/4" IPIPE

~~ON SURFACE~~ - BELOW 4"

OFFSET  $\odot$  PAVEMENT 1' LT : ~~RT~~

11.2' TO RT EDGE PAVEMENT

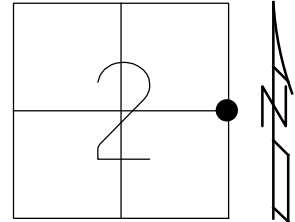
STATION: 767+78.51

HORZ.DATUM: NAD83 2011

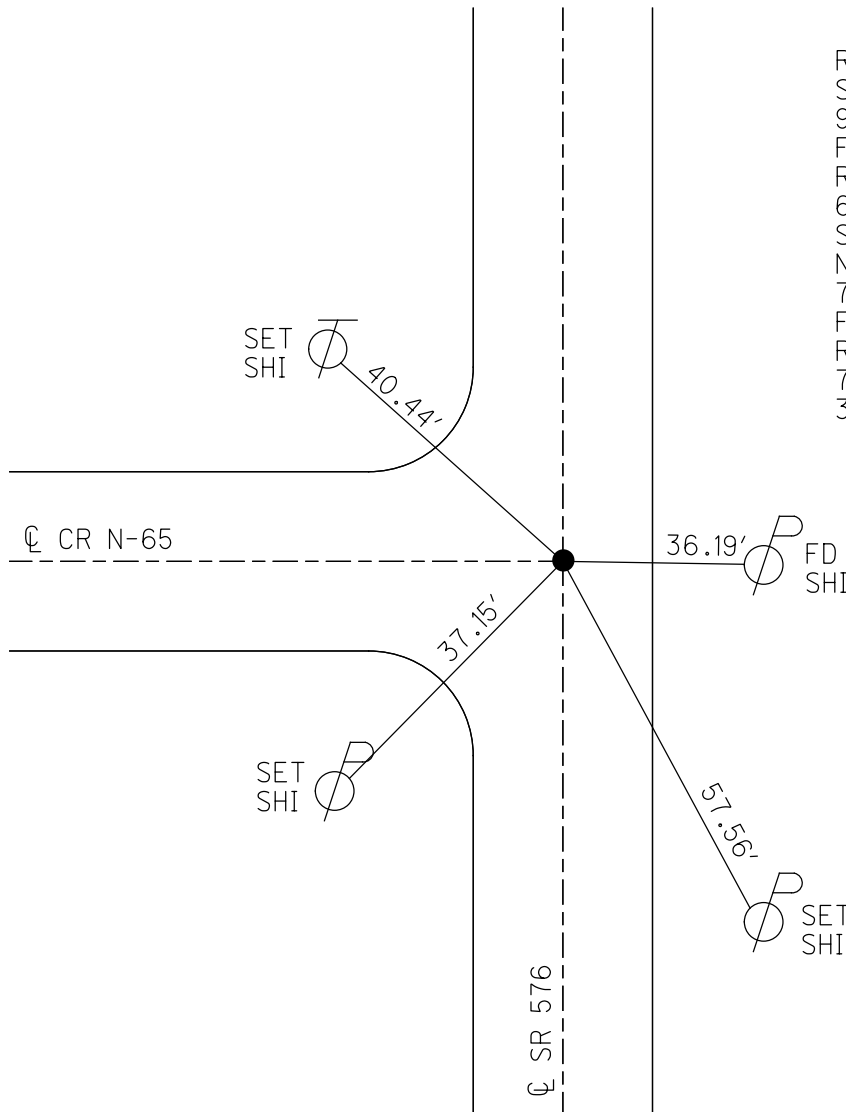
GEOID: NAVD88 2018

GRID: NORTHING: 721938.182

EASTING: 1391267.997



RECORD:  
 SET SM.R.R.SPIKE  
 9-4-86, IRS  
 FD 3/4" IPIPE  
 REF69  
 6-19-12, DCH  
 SET P.K./WASHER  
 NEWREF69  
 7-23-12, DCH  
 FD P.K./WASHER  
 REF29  
 7/5/22, TDN  
 3/8/23, JMR



O.D.O.T. DISTRICT 2 SURVEY OFFICE (USE ONLY)

PERSONNEL

REFERENCE NO. 30

SHEET 31 OF 33

NOTES HOMAN  
 H.C. ROUSOS  
 R.C. HOMAN

DATE 6/19/12  
 WEATHER SUNNY  
 TEMP. 90°

ROUTE SR 576  
 COUNTY WILLIAMS  
 TOWNSHIP BRIDGEWATER  
 SECTION 2  
 T 10 S R 3 W

DWG BY RHOADES PID CHIP SEAL

TYPE MONUMENT 3/4" IPIPE

~~ON SURFACE~~ - BELOW 2"

OFFSET  $\text{C}$  PAVEMENT 0.5'  $\text{L}$  :  $\text{RT}$

10.0' TO  $\text{RT}$  EDGE PAVEMENT

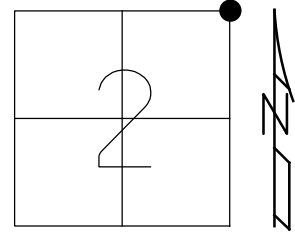
STATION: 794+30.40

HORIZ.DATUM: NAD83 2011

GEOID: NAVD88 2018

GRID: NORTHING: 724589.007

EASTING: 1391340.327



RECORD:  
 SET SM.R.R.SPIKE  
 9-4-86, IRS  
 FD 3/4" IPIPE  
 REF70  
 6-19-12, DCH  
 SET P.K./WASHER  
 NEWREF70  
 7-23-12, DCH  
 FD P.K./WASHER  
 REF30  
 7/5/22, TDN  
 3/8/23, JMR

FD  
 40-d NAIL  
 WSW/S



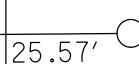
10.88'



61.04'

FD  
 SHI

--- $\text{C}$ ---SR 576



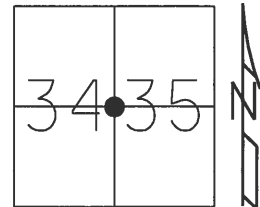
CHISLED "+"  
 W/S CON. POST

25.57'

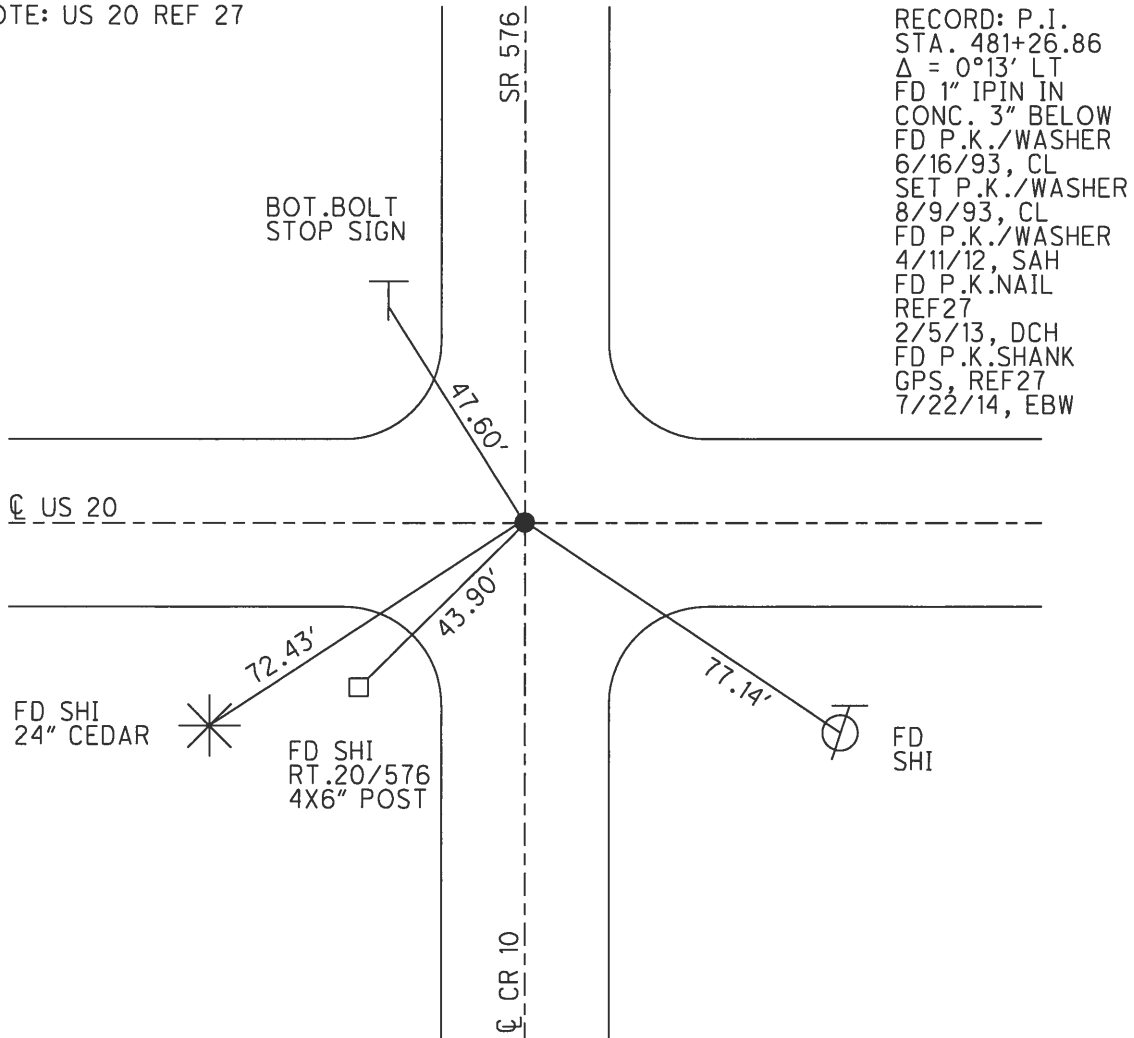
O.D.O.T. DISTRICT 2 SURVEY OFFICE (USE ONLY)

PERSONNEL \_\_\_\_\_ REFERENCE NO. 30 A SHEET 31 OF 32  
 NOTES RHOADES DATE 5/2/13 ROUTE SR 576  
 H.C. CODER WEATHER FAIR COUNTY WILLIAMS  
 R.C. LAU TEMP. 70° TOWNSHIP BRIDGEWATER  
 \_\_\_\_\_ SECTION 34, 35  
 \_\_\_\_\_ T 9 S R 3 W

TYPE MONUMENT P.K./WASHER  
 ON SURFACE - ~~BELOW~~ ON  
~~LEFT~~ - ☉ PAV'T - ~~RIGHT~~ ON  
\_\_\_\_\_ TO \_\_\_\_\_ EDGE PAVEMENT  
 S.L.M. 820+79.82  
 Grid: Northing: 727324.594 Easting: 1386091.778



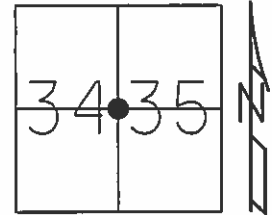
NOTE: US 20 REF 27



O.D.O.T. DISTRICT 2 SURVEY OFFICE (USE ONLY)

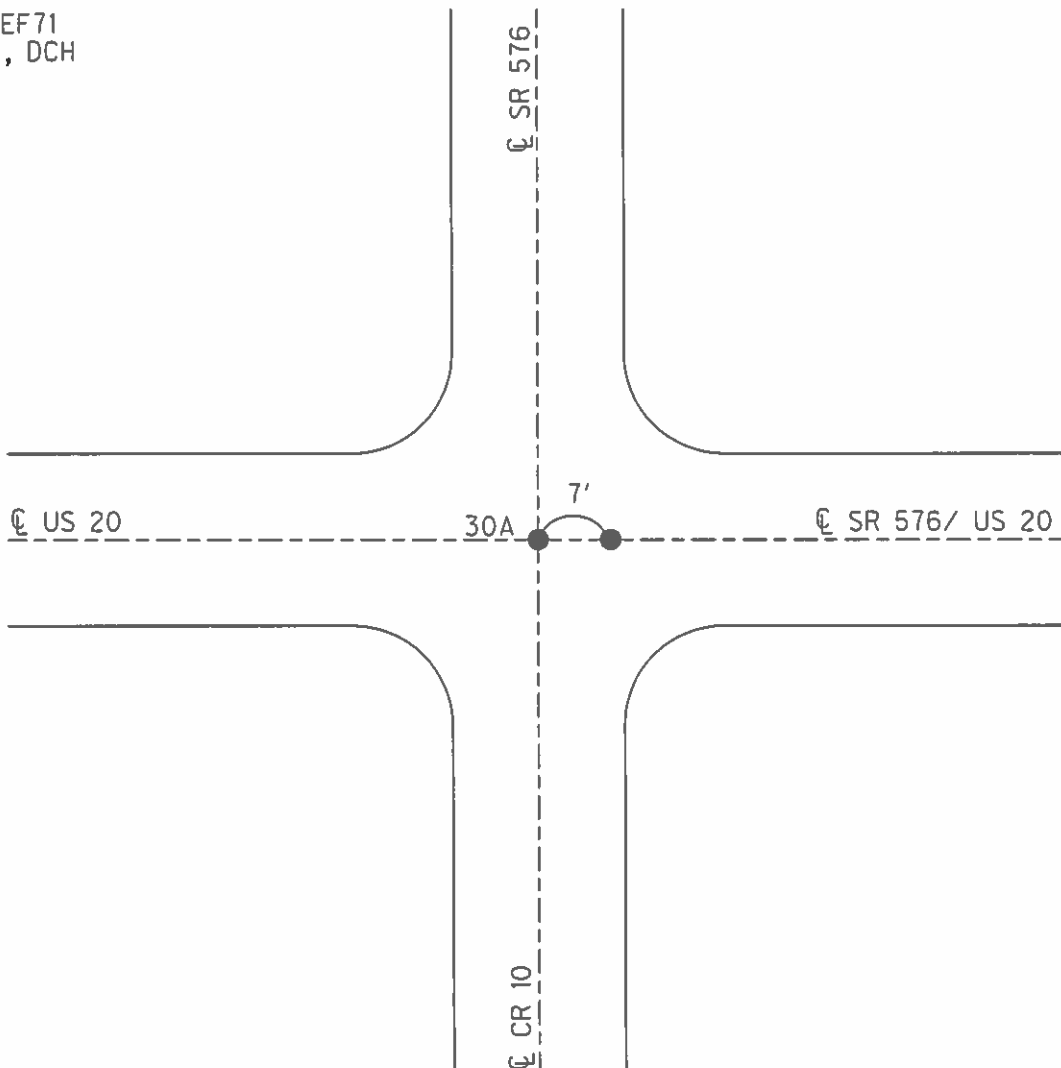
PERSONNEL \_\_\_\_\_ REFERENCE NO. 30B SHEET 32 OF 32  
NOTES LOEHRKE DATE 6-16-93 ROUTE SR 576  
H.C. ROMETO WEATHER PT CLOUDY COUNTY WILLIAMS  
R.C. CANTERBURY TEMP. 70° TOWNSHIP BRIDGEWATER  
CORDES SECTION 34, 35  
T 9 S R 3 W

TYPE MONUMENT PK/WASHER  
ON SURFACE - ~~BELOW~~ ON  
~~LEFT~~ - ☉ PAV'T - RIGHT 7'  
TO EDGE PAVEMENT  
S.L.M. 820+79.82



Grid: Northing: 727237.789 Easting: 1391402.040

FD PK  
GPS, REF71  
2/5/13, DCH



O.D.O.T. DISTRICT 2 SURVEY OFFICE (USE ONLY)

PERSONNEL \_\_\_\_\_

REFERENCE NO. 33

SHEET 1 OF 10

NOTES NIESE

DATE 7-20-21

ROUTE SR 576

H.C. AUBLE

WEATHER SUNNY

COUNTY WILLIAMS

R.C. NIESE

TEMP. 80°

TOWNSHIP BRIDGEWATER

DWG BY GARRETT PID PAVE TRAIN

SECTION 27

T 9 S R 3 W

TYPE MONUMENT MAG/WASHER

ON SURFACE - ~~BELOW~~ ON

OFFSET Q PAVEMENT ON LT : RT

10.6' TO LT EDGE PAVEMENT

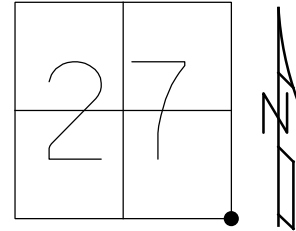
STATION: 900+53

HORZ. DATUM: NAD83 (2011)

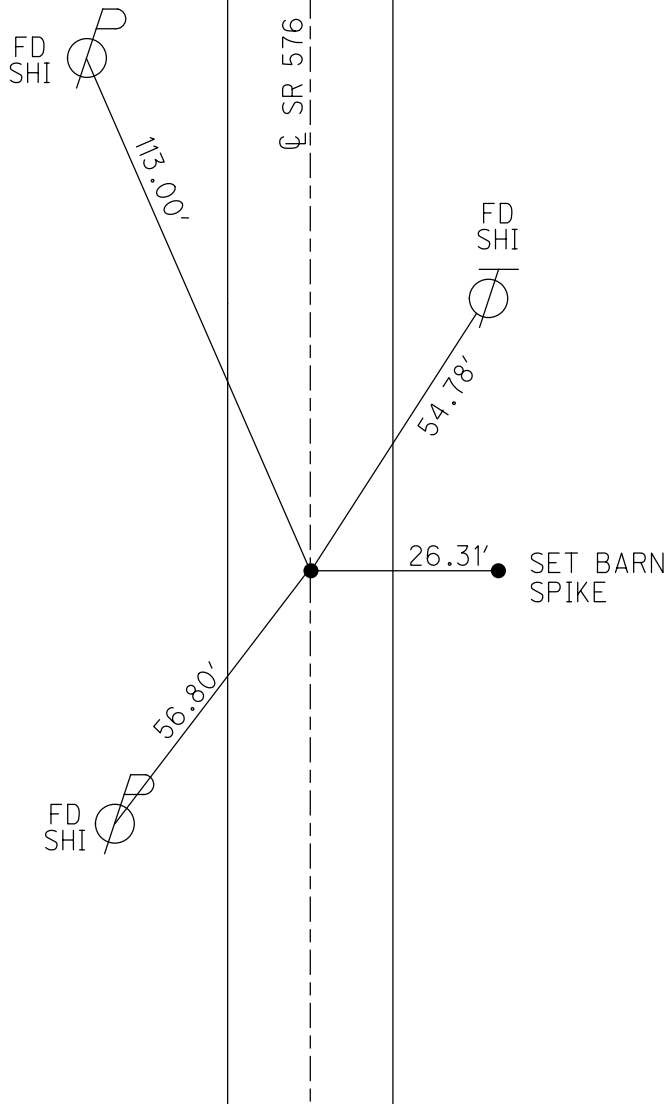
GEOID: 18

GRID: NORTHING: 729988.232

EASTING: 1386150.636



RECORD:  
 SET P.K./WASHER  
 8-19-02, MDB  
 FD P.K./WASHER  
 SV133  
 5/20/10, SH  
 12/15/10, MC  
 FD P.K./WASHER  
 REF33  
 8/7/18, JLL  
 FD P.K. WASHER  
 REF 33  
 7-20-21, DSA  
 SET MAG/WASHER  
 REF33  
 9-15-22, DSA



O.D.O.T. DISTRICT 2 SURVEY OFFICE (USE ONLY)

PERSONNEL

REFERENCE NO. 34

SHEET 2 OF 10

NOTES NIESE DATE 7-20-21  
 H.C. AUBLE WEATHER SUNNY  
 R.C. NIESE TEMP. 80°

ROUTE SR 576  
 COUNTY WILLIAMS  
 TOWNSHIP BRIDGEWATER  
 SECTION 27  
 T 9 S R 3 W

DWG BY RHOADES PID 99575

TYPE MONUMENT MAG/WASHER

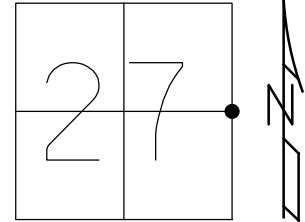
ON SURFACE - ~~BELOW~~ ON

OFFSET  $\text{C}$  PAVEMENT 1.2' LT : RT  
11.0' TO LT EDGE PAVEMENT

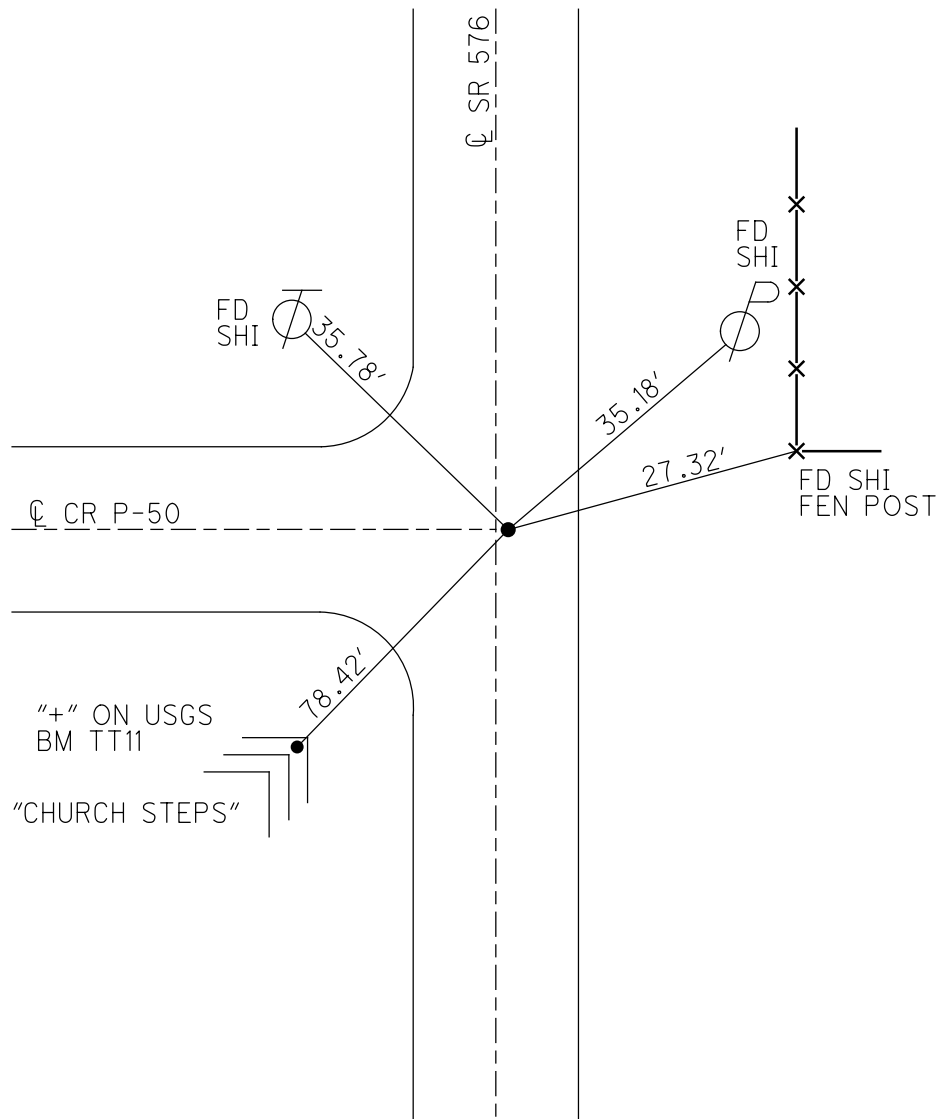
STATION: 926+69.33

HORZ.DATUM: NAD83 (2011) GEOID: NAVD88 2018

GRID: NORTHING: 732618.293 EASTING: 1386217.635



RECORD:  
 SET P.K./WASHER  
 8-26-02, MDB  
 FD P.K./WASHER  
 SV134  
 5/20/10, SH  
 FD P.K./WASHER  
 12/15/10, MC  
 FD P.K.NAIL  
 REF34  
 6/18/13, SDC  
 REF34  
 7-20-21, DSA  
 SET MAG/WASHER  
 REF34  
 9/15/22, DSA



O.D.O.T. DISTRICT 2 SURVEY OFFICE (USE ONLY)

PERSONNEL

REFERENCE NO. 34 A

SHEET 3 OF 10

NOTES NIESE DATE 7-20-21

H.C. AUBLE WEATHER SUNNY

R.C. NIESE TEMP. 75°

ROUTE SR 576

COUNTY WILLIAMS

TOWNSHIP BRIDGEWATER

SECTION 27

DWG BY RHOADES PID 99575

T 9 S R 3 W

TYPE MONUMENT MAG/WASHER

ON SURFACE - ~~BELOW~~ ON

OFFSET  $\varnothing$  PAVEMENT ON LT : RT

10.6' TO RT EDGE PAVEMENT

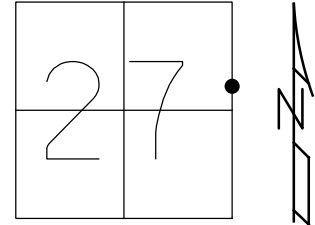
STATION: 932+59.29

HORZ.DATUM: NAD83 (2011)

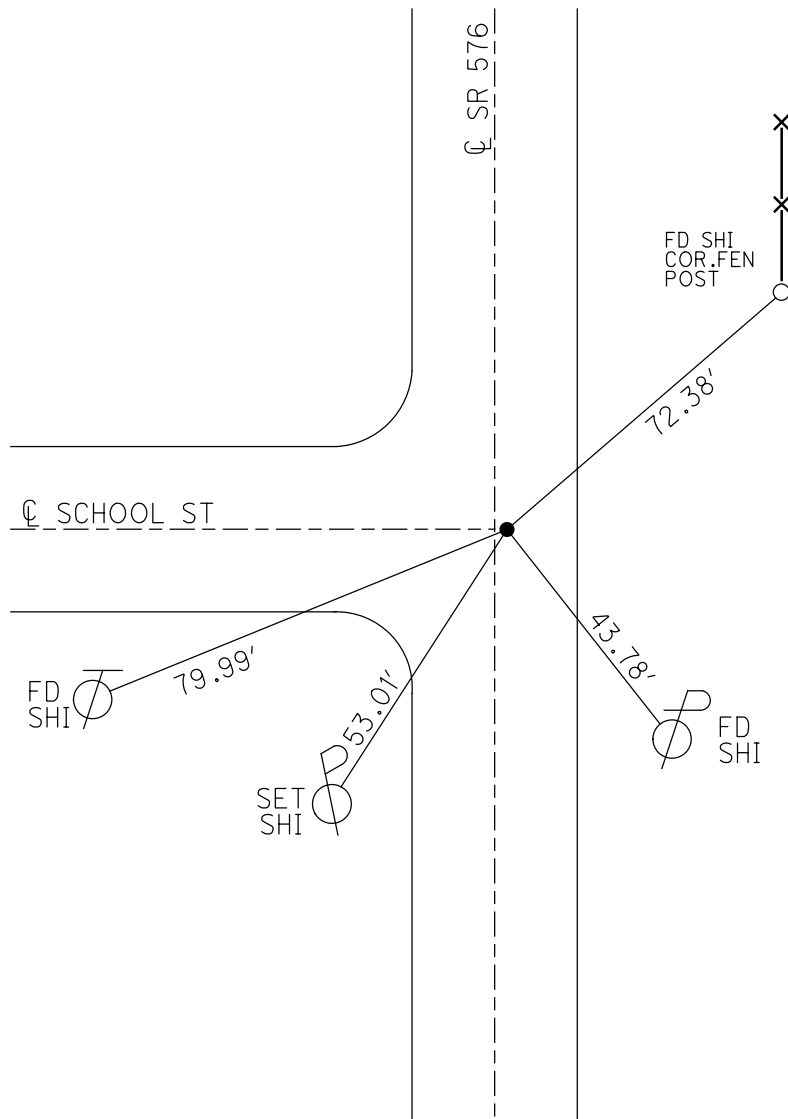
GEOID: NAVD88 2018

GRID: NORTHING: 733208.022

EASTING: 1386233.483



RECORD:  
 SET P.K./WASHER  
 8-26-02, MDB  
 FD P.K./WASHER  
 SVA134  
 5/20/10, SH  
 12/15/10 MC  
 FD P.K./WASHER  
 REFA34  
 6/18/13, SDC  
 FD P.K./WASHER  
 REF34A  
 7/20/21, DSA  
 SET MAG/WASHER  
 REF34A  
 9/15/22, DSA

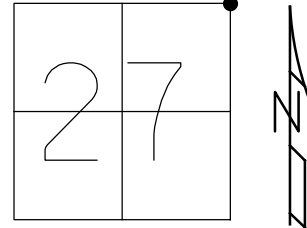




O.D.O.T. DISTRICT 2 SURVEY OFFICE (USE ONLY)

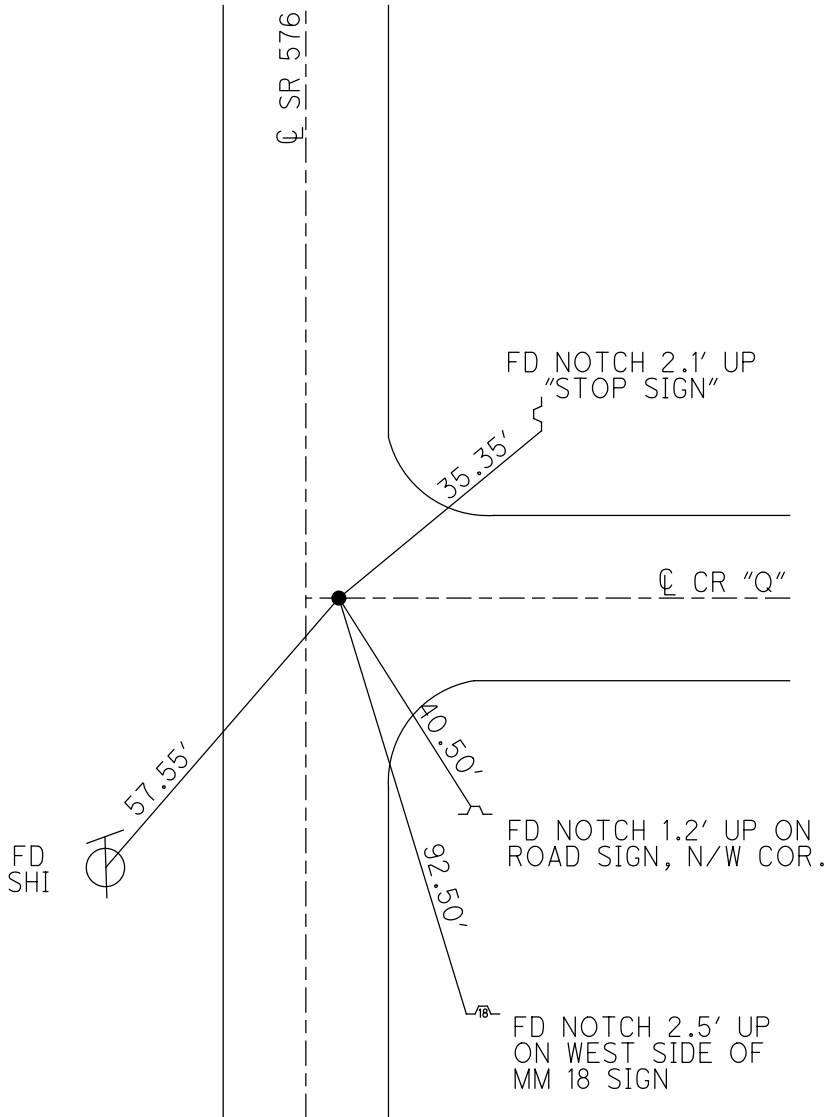
PERSONNEL \_\_\_\_\_ REFERENCE NO. 35 SHEET 4 OF 10  
 NOTES NIESE DATE 7-20-21 ROUTE SR 576  
 H.C. AUBLE WEATHER SUNNY COUNTY WILLIAMS  
 R.C. NIESE TEMP. 75° TOWNSHIP BRIDGEWATER  
 DWG BY RHOADES PID 99575 SECTION 27  
 T 9 S R 3 W

TYPE MONUMENT MAG/WASHER  
 ON SURFACE - ~~BELOW~~ ON  
 OFFSET 3' LT : RT  
13.3' TO LT EDGE PAVEMENT  
 STATION: 956+09.76



HORZ. DATUM: NAD83 (2011) GEOID: NAVD88 2018  
 GRID: NORTHING: 735257.740 EASTING: 1386288.650

RECORD:  
 SET P.K./WASHER  
 8-26-02 MDB  
 FD P.K./WASHER  
 SV135  
 5/20/10, SH  
 12/15/10 MC  
 FD P.K.NAIL  
 REF35  
 6/18/13, SDC  
 FD P.K./WASHER  
 REF34A  
 7/20/21, DSA  
 SET MAG/WASHER  
 REF34A  
 9/15/22, DSA



O.D.O.T. DISTRICT 2 SURVEY OFFICE (USE ONLY)

PERSONNEL

REFERENCE NO. 36

SHEET 5 OF 10

NOTES NIESE

DATE 7-20-21

ROUTE SR 576

H.C. AUBLE

WEATHER SUNNY

COUNTY WILLIAMS

R.C. NIESE

TEMP. 75°

TOWNSHIP BRIDGEWATER

SECTION 23

DWG BY RHOADES

PID 99575

T 9 S R 3 W

TYPE MONUMENT MAG/WASHER

ON SURFACE - ~~BELOW~~ ON

OFFSET CL PAVEMENT 3.6' ~~±~~ : RT

6.8' TO RT EDGE PAVEMENT

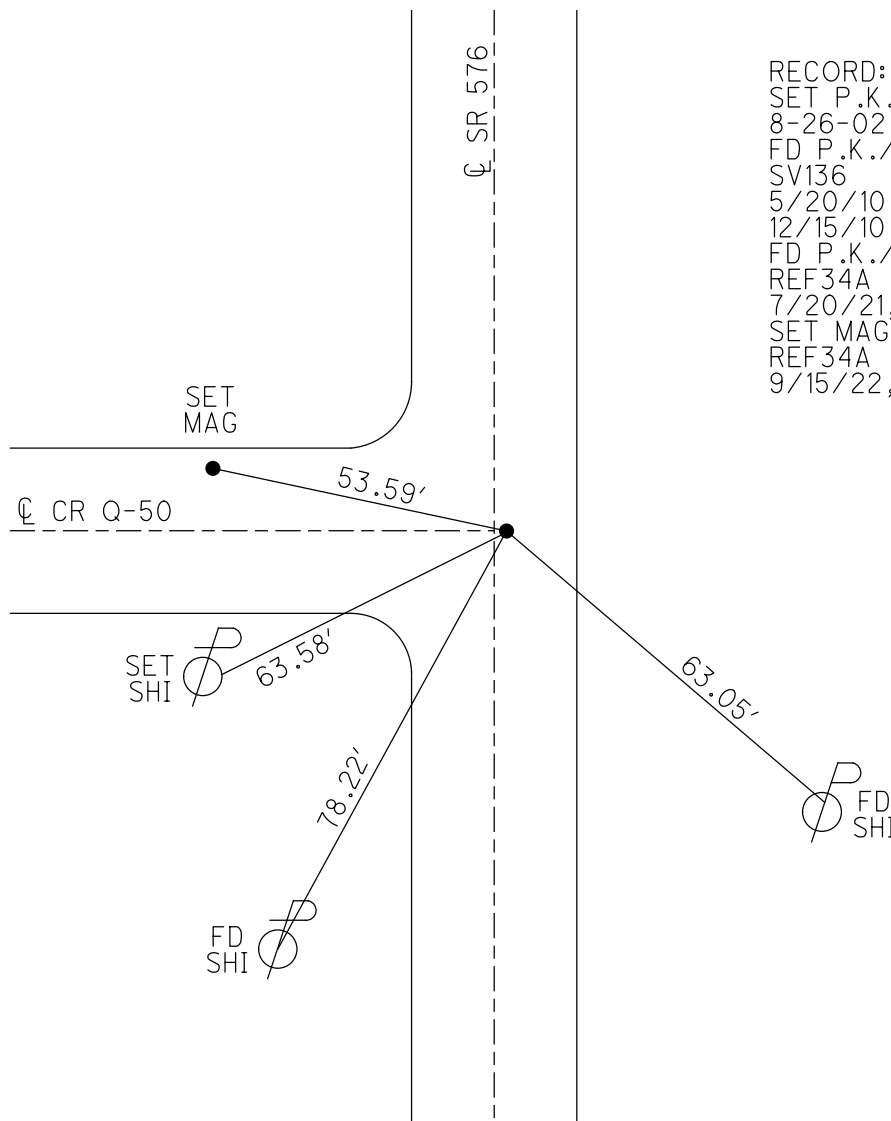
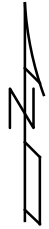
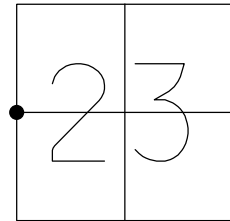
STATION: 981+11

HORIZ.DATUM: NAD83 (2011)

GEOID: NAVD88 2018

GRID: NORTHING: 737916.039

EASTING: 1386343.757

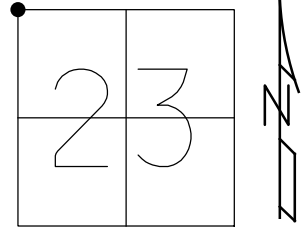


RECORD:  
 SET P.K./WASHER  
 8-26-02, MDB  
 FD P.K./WASHER  
 SV136  
 5/20/10, SH  
 12/15/10 MC, SH  
 FD P.K./WASHER  
 REF34A  
 7/20/21, DSA  
 SET MAG/WASHER  
 REF34A  
 9/15/22, DSA

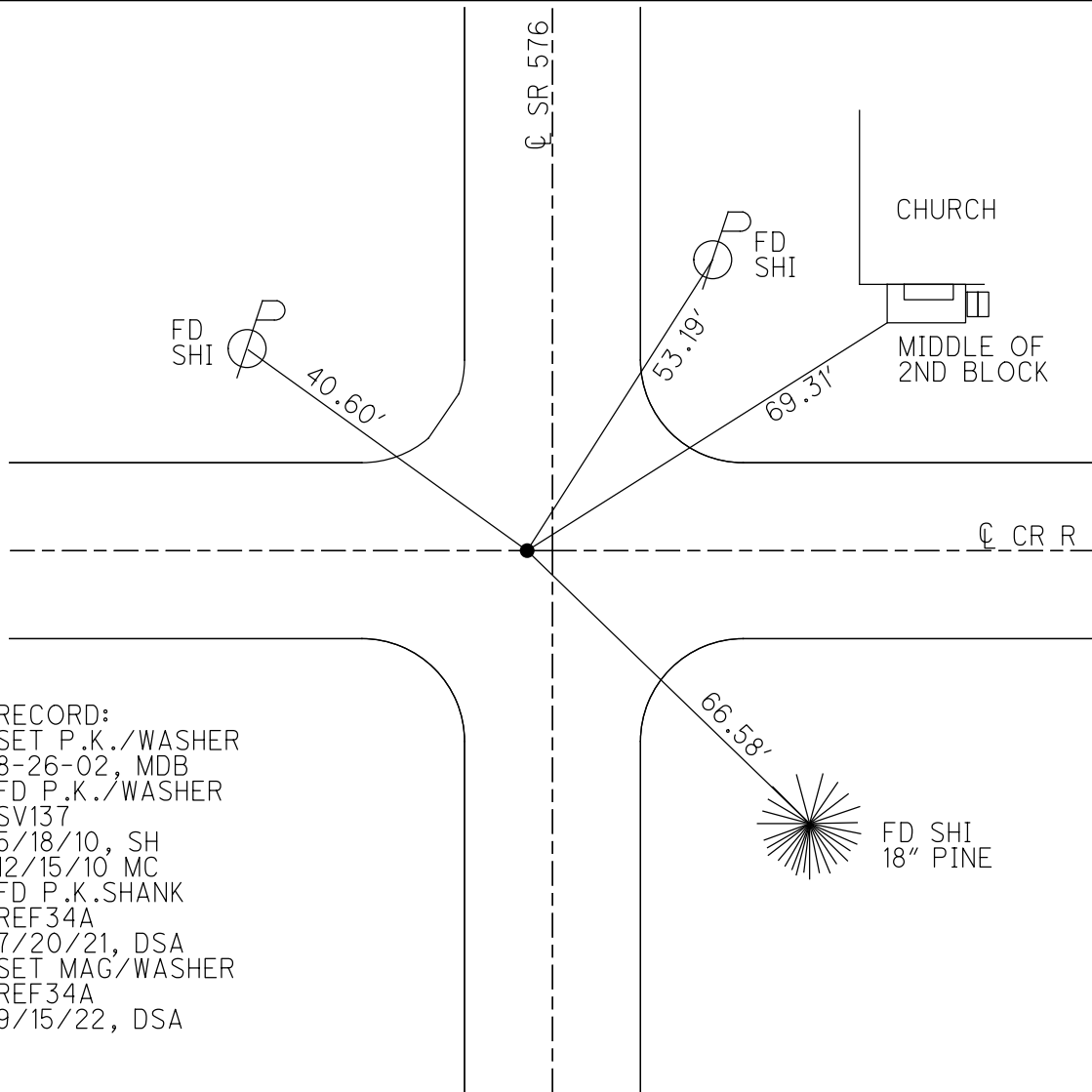
O.D.O.T. DISTRICT 2 SURVEY OFFICE (USE ONLY)

PERSONNEL \_\_\_\_\_ REFERENCE NO. 37 SHEET 6 OF 10  
 NOTES NIESE DATE 7-20-21 ROUTE SR 576  
 H.C. AUBLE WEATHER SUNNY COUNTY WILLIAMS  
 R.C. NIESE TEMP. 75° TOWNSHIP BRIDGEWATER  
 DWG BY RHOADES PID 99575 SECTION 23  
 T 9 S R 3 W

TYPE MONUMENT MAG/WASHER  
 ON SURFACE - ~~BELOW~~ ON  
 OFFSET Q PAVEMENT 2.4' LT : ~~RT~~  
- TO - EDGE PAVEMENT  
 STATION: 1006+62



HORIZ.DATUM: NAD83 (2011) GEOID: NAVD88 2018  
 GRID: NORTHING: 740574.132 EASTING: 1386398.286

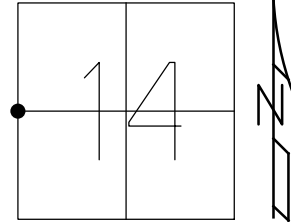


RECORD:  
 SET P.K./WASHER  
 8-26-02, MDB  
 FD P.K./WASHER  
 SV137  
 5/18/10, SH  
 12/15/10 MC  
 FD P.K.SHANK  
 REF34A  
 7/20/21, DSA  
 SET MAG/WASHER  
 REF34A  
 9/15/22, DSA

O.D.O.T. DISTRICT 2 SURVEY OFFICE (USE ONLY)

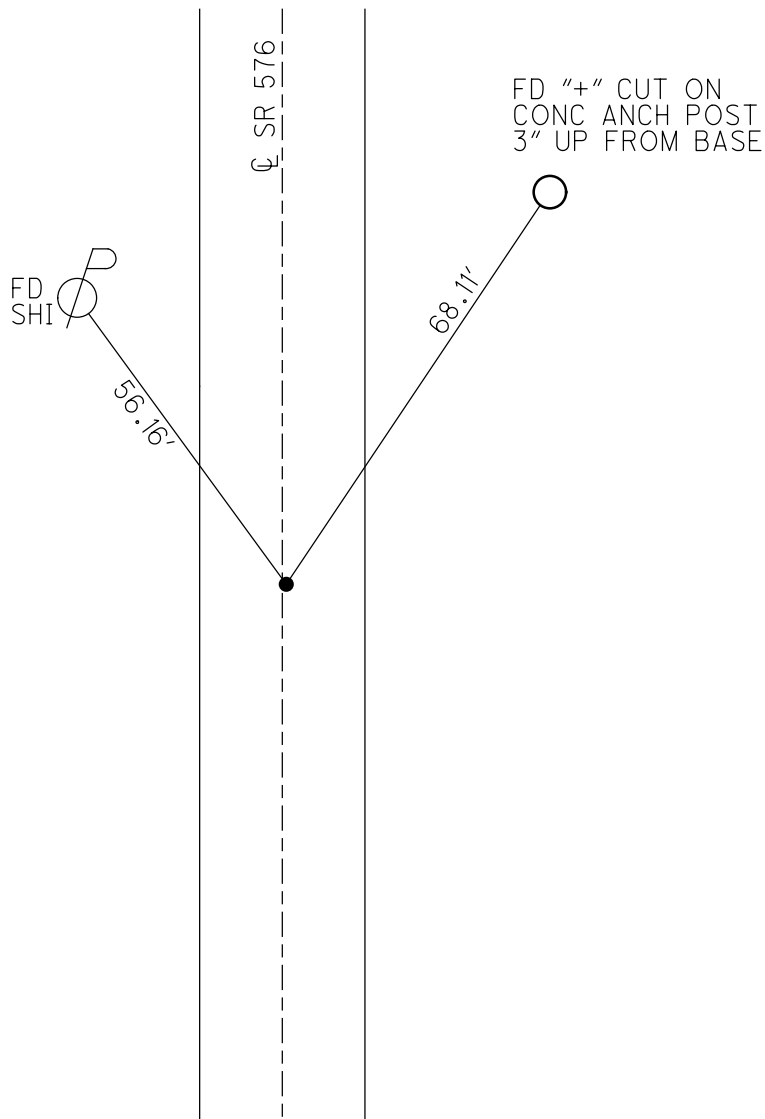
PERSONNEL \_\_\_\_\_ REFERENCE NO. 38 SHEET 7 OF 10  
 NOTES NIESE DATE 7-20-21 ROUTE SR 576  
 H.C. AUBLE WEATHER SUNNY COUNTY WILLIAMS  
 R.C. NIESE TEMP. 75° TOWNSHIP BRIDGEWATER  
 DWG BY RHOADES PID 99575 SECTION 14  
 T 9 S R 3 W

TYPE MONUMENT BETHLEHEM STEEL SPIKE  
 ON SURFACE - ~~BELOW~~ ON  
 OFFSET  $\varnothing$  PAVEMENT 0.4' ~~LT~~ : RT  
9.8' TO LT EDGE PAVEMENT  
 STATION: 1033+10



HORIZ.DATUM: NAD83 (2011) GEOID: NAVD88 2018  
 GRID: NORTHING: 743215.148 EASTING: 1386459.128

RECORD:  
 SET P.K./WASHER  
 8-19-02, MDB  
 FD P.K./WASHER  
 SV138  
 5/18/10, SH  
 12/15/10, MC  
 FD P.K./WASHER  
 REF34A  
 7/20/21, DSA  
 SET 2 1/2" BS SPIKE  
 REF34A  
 9/15/22, DSA



O.D.O.T. DISTRICT 2 SURVEY OFFICE (USE ONLY)

PERSONNEL

REFERENCE NO. 39

SHEET 8 OF 10

NOTES NIESE

DATE 7-20-21

ROUTE SR 576

H.C. AUBLE

WEATHER SUNNY

COUNTY WILLIAMS

R.C. NIESE

TEMP. 75°

TOWNSHIP BRIDGEWATER

DWG BY RHOADES PID 99575

SECTION 10

T 9 S R 3 W

TYPE MONUMENT MAG/WASHER

ON SURFACE - ~~BELOW~~ ON

OFFSET  $\text{C}$  PAVEMENT ON LT : RT  
- TO - EDGE PAVEMENT

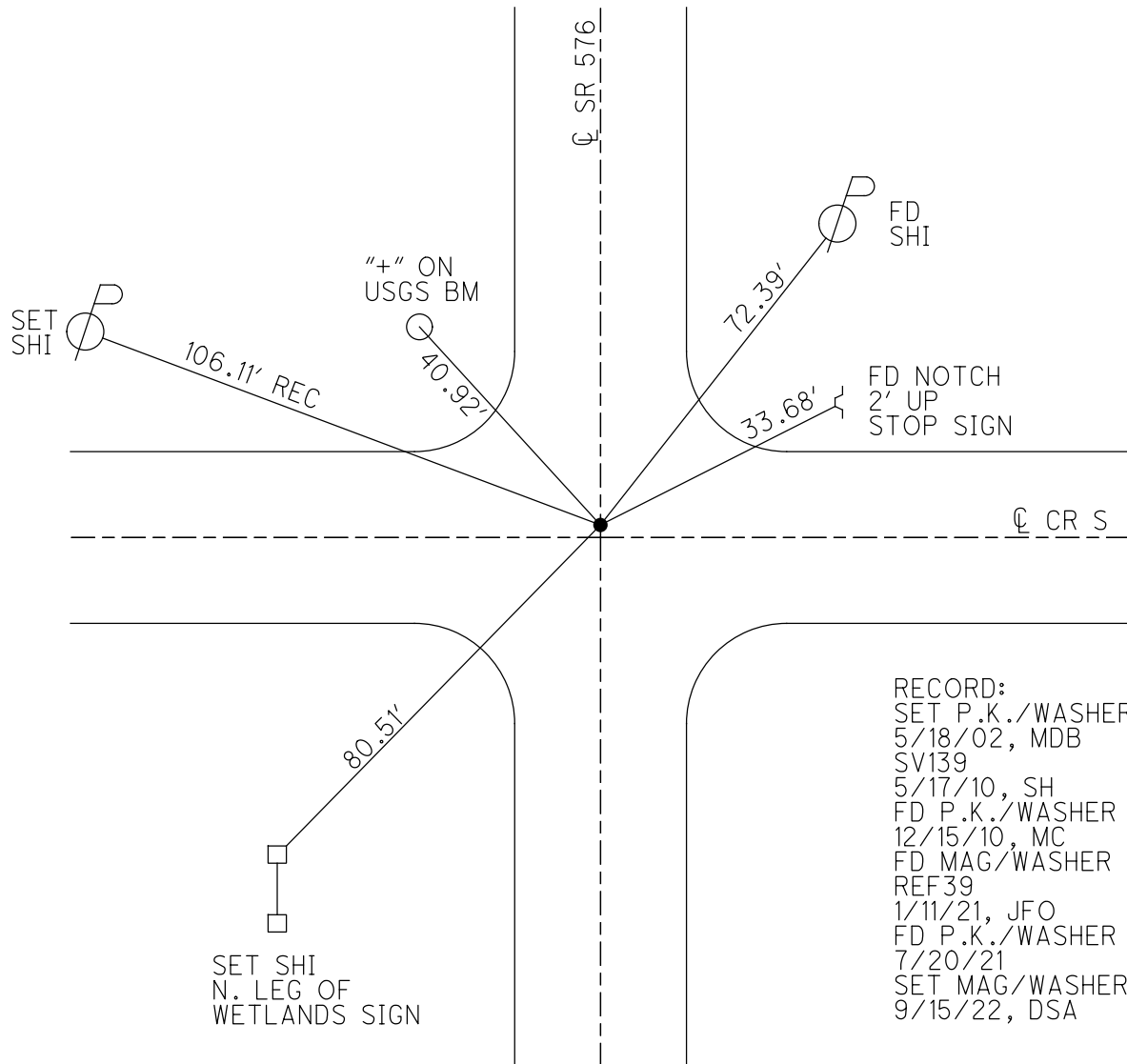
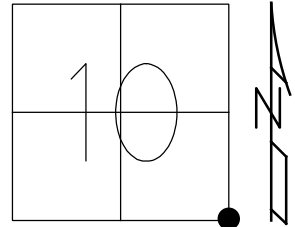
STATION: 1059+43

HORIZ.DATUM: NAD83 (2011)

GEOID: NAVD88 2018

GRID: NORTHING: 745857.179

EASTING: 1386514.266



RECORD:  
 SET P.K./WASHER  
 5/18/02, MDB  
 SV139  
 5/17/10, SH  
 FD P.K./WASHER  
 12/15/10, MC  
 FD MAG/WASHER  
 REF39  
 1/11/21, JFO  
 FD P.K./WASHER  
 7/20/21  
 SET MAG/WASHER  
 9/15/22, DSA

O.D.O.T. DISTRICT 2 SURVEY OFFICE (USE ONLY)

PERSONNEL

REFERENCE NO. 39 A

SHEET 9 OF 10

NOTES NIESE  
 H.C. AUBLE  
 R.C. NIESE

DATE 7-20-21  
 WEATHER FAIR  
 TEMP. 71°

ROUTE SR 576  
 COUNTY WILLIAMS  
 TOWNSHIP BRIDGEWATER  
 SECTION 10  
T 9 S R 3 W

DWG BY RHOADES PID 99575

TYPE MONUMENT MAG/WASHER

ON SURFACE - ~~BELOW~~ ON

OFFSET  $\text{C}$  PAVEMENT 1.3' LT : ~~RT~~  
9.5' TO LT EDGE PAVEMENT

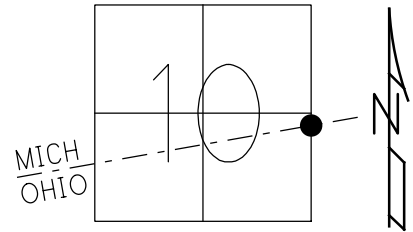
STATION: 1083+29

HORZ.DATUM: NAD83 (2011)

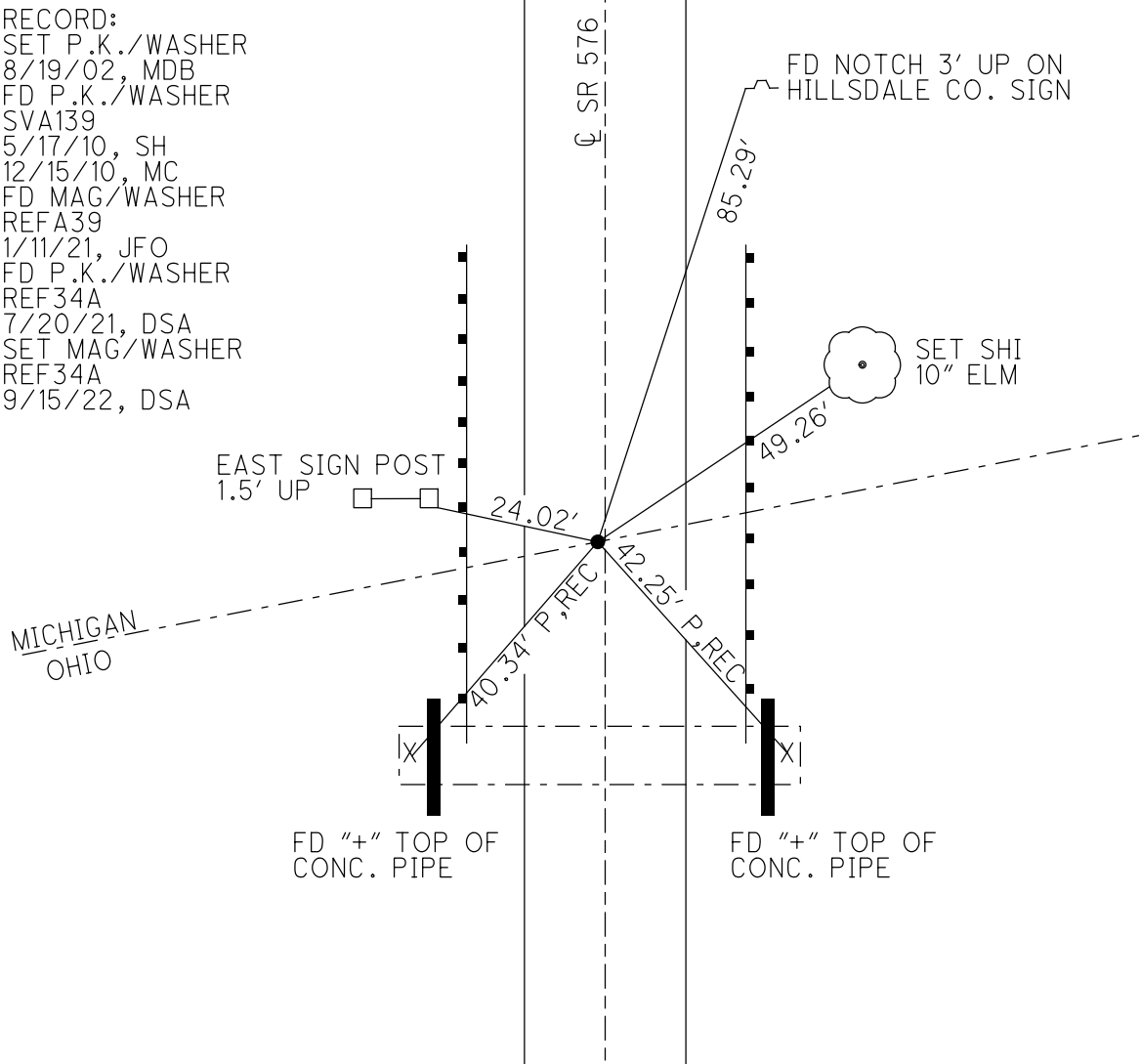
GEOID: NAVD88 2018

GRID: NORTHING: 748224.390

EASTING: 1386554.421



RECORD:  
 SET P.K./WASHER  
 8/19/02, MDB  
 FD P.K./WASHER  
 SVA139  
 5/17/10, SH  
 12/15/10, MC  
 FD MAG/WASHER  
 REFA39  
 1/11/21, JFO  
 FD P.K./WASHER  
 REF34A  
 7/20/21, DSA  
 SET MAG/WASHER  
 REF34A  
 9/15/22, DSA



O.D.O.T. DISTRICT 2 SURVEY OFFICE (USE ONLY)

PERSONNEL

REFERENCE NO. 40

SHEET 10 OF 10

NOTES HOFFMAN  
 H.C. HOUSEHOLDER  
 R.C. LOEHRKE  
BARNHISEL

DATE 12/16/82  
 WEATHER PARTLY CLOUDY  
 TEMP. 37°

ROUTE SR 576  
 COUNTY WILLIAMS  
 TOWNSHIP WOODBRIDGE  
 SECTION 10  
 T 9 S R 3 W

DWG BY NIESE PID \_\_\_\_\_

TYPE MONUMENT 3/4" IPIPE

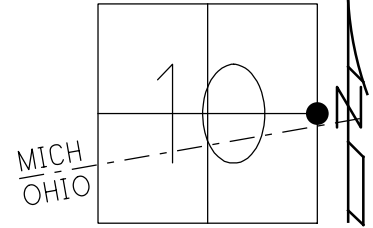
ON SURFACE - ~~BELOW~~ ON

OFFSET Q PAVEMENT \_\_\_\_\_ LT : RT  
10.0' TO LT EDGE PAVEMENT

STATION: 1085+99.55

HORIZ.DATUM: \_\_\_\_\_ GEOID: \_\_\_\_\_

GRID: NORTHING: \_\_\_\_\_ EASTING: \_\_\_\_\_



RECORD: P.I.  
 STA 211+82.25  
 2+70.49 = 1085+99.55  
 $\Delta = 00^{\circ}26'00''$  RT  
 FD 3/4" I.D PIPE  
 12/16/82, HOFFMAN

Q SR 576

