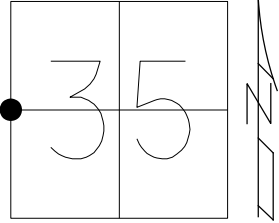


O.D.O.T. DISTRICT 2 SURVEY OFFICE (USE ONLY)

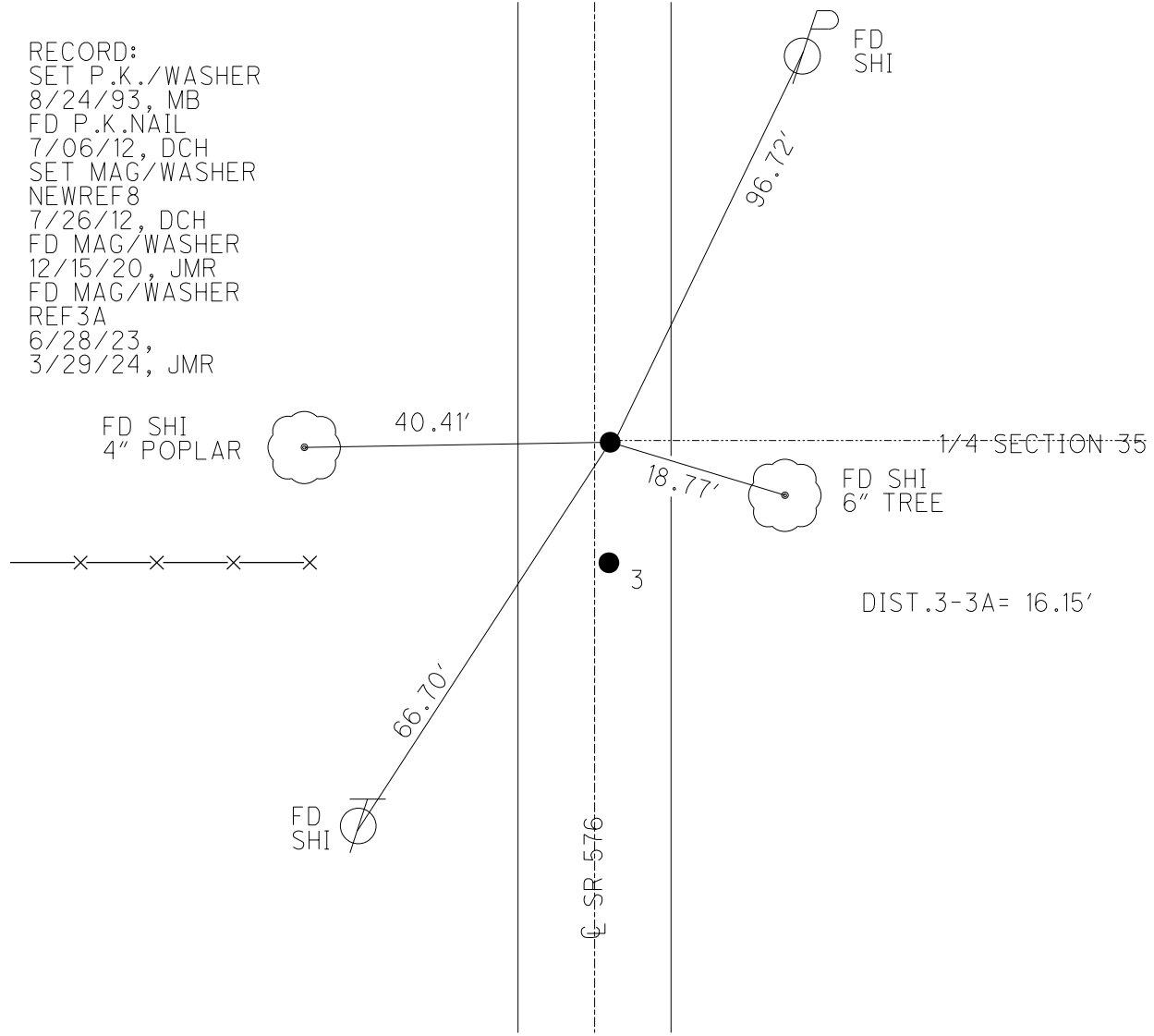
PERSONNEL _____ REFERENCE NO. 3 A SHEET 9 OF 15
 NOTES ASTON DATE 3/29/24 ROUTE SR 576
 H.C. RHOADES WEATHER CLEAR COUNTY WILLIAMS
 R.C. ASTON TEMP. 44° TOWNSHIP CENTER
 SECTION 35
 DWG BY RHOADES PID CHIP SEAL T 6 N R 2 E

TYPE MONUMENT MAG/WASHER
 ON SURFACE - ~~BELOW~~ ON
 OFFSET \bar{C} PAVEMENT 1.2' \pm : RT
8.9' TO T EDGE PAVEMENT
 STATION: 26+59



HORZ. DATUM: NAD83 2011 GEOID: NAVD88 2018
 GRID: NORTHING: 650938.353 EASTING: 1389376.029

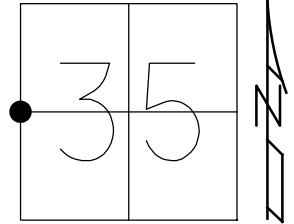
RECORD:
 SET P.K./WASHER
 8/24/93, MB
 FD P.K. NAIL
 7/06/12, DCH
 SET MAG/WASHER
 NEWREF8
 7/26/12, DCH
 FD MAG/WASHER
 12/15/20, JMR
 FD MAG/WASHER
 REF3A
 6/28/23,
 3/29/24, JMR



O.D.O.T. DISTRICT 2 SURVEY OFFICE (USE ONLY)

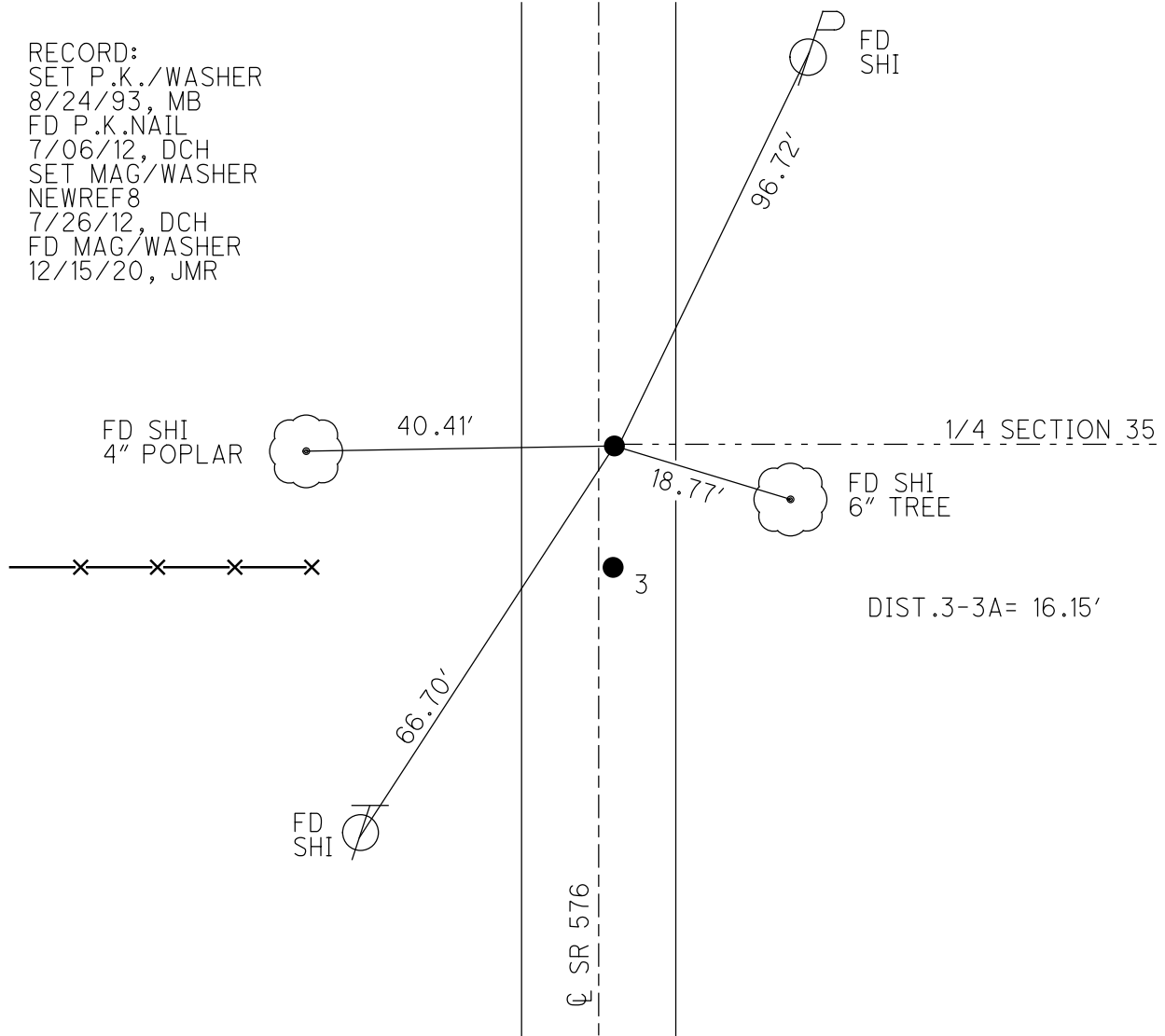
PERSONNEL _____ REFERENCE NO. 3 A SHEET 8 OF 14
 NOTES RHOADES DATE 12/15/20 ROUTE SR 576
 H.C. _____ WEATHER FAIR COUNTY WILLIAMS
 R.C. _____ TEMP. 25° TOWNSHIP CENTER
 DWG BY NIESE PID _____ NO PID _____ SECTION 35
 T 6 N R 2 E

TYPE MONUMENT MAG/WASHER
 ON SURFACE - ~~BELOW~~ _____ ON _____
 OFFSET C PAVEMENT 1.2' ~~ET~~ : RT
8.9' TO T EDGE PAVEMENT
 STATION: 26+59



HORZ. DATUM: NAD83 2011 GEOID: NAVD88 2018
 GRID: NORTHING: 650938.353 EASTING: 1389376.029

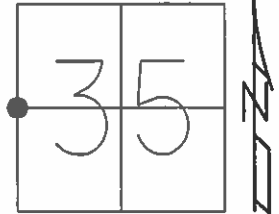
RECORD:
 SET P.K./WASHER
 8/24/93, MB
 FD P.K.NAIL
 7/06/12, DCH
 SET MAG/WASHER
 NEWREF8
 7/26/12, DCH
 FD MAG/WASHER
 12/15/20, JMR



O.D.O.T. DISTRICT 2 SURVEY OFFICE (USE ONLY)

PERSONNEL _____ REFERENCE NO. 3 A SHEET 8 OF 14
 NOTES HOMAN DATE 7-6-12 ROUTE SR 576
 H.C. HOMAN WEATHER SUNNY COUNTY WILLIAMS
 R.C. HARBAUGH TEMP. 90° TOWNSHIP CENTER
 SECTION 35
 T 6 N R 2 E

TYPE MONUMENT LG RR SPIKE
~~ON SURFACE~~ - BELOW 3"
~~LEFT~~ - ℄ PAV'T - RIGHT 1.2'
8.9 TO RT EDGE PAVEMENT
 S.L.M. 26+59



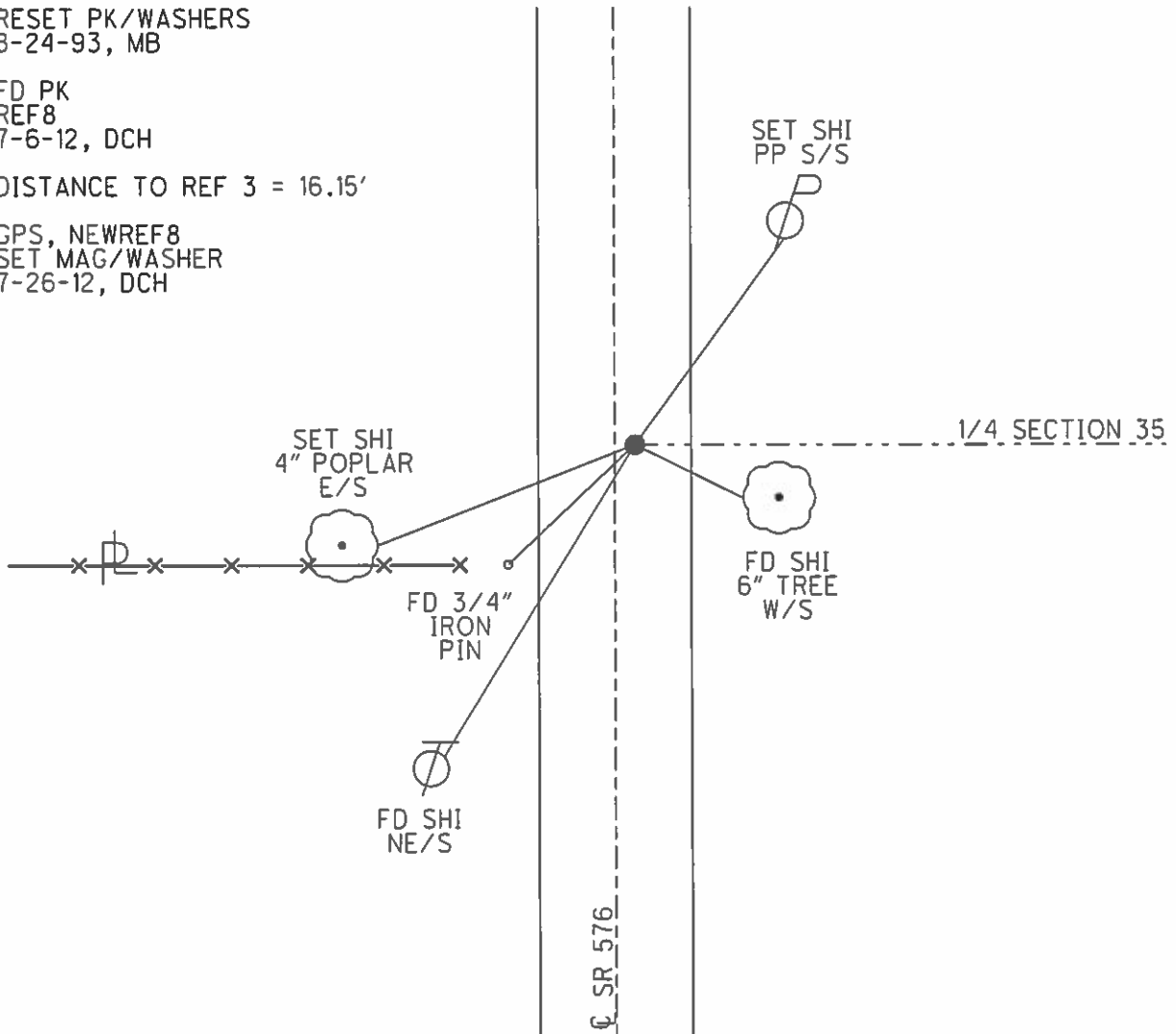
Grid: Northing: 650938.353 Easting: 1389376.029

RESET PK/WASHERS
 8-24-93, MB

FD PK
 REF8
 7-6-12, DCH

DISTANCE TO REF 3 = 16.15'

GPS, NEWREF8
 SET MAG/WASHER
 7-26-12, DCH



O.D.O.T. DISTRICT 2 SURVEY OFFICE

PERSONNEL

REFERENCE NO. 3

SHEET 4 OF 16

NOTES BARNHISEL

H.C. COEDS

DATE 6-11-93

ROUTE 576

R.C. JAN DUSEN

WEATHER CLEAR

COUNTY WILLIAMS

OTTO

TEMP. +65°

TOWNSHIP CENTER

SECTION 35

T 6 N R 2 E

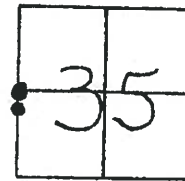
TYPE MONUMENT PK NAIL PK NAIL w. 1/4 CORNER
Sec. 35

ON SURFACE - yes yes

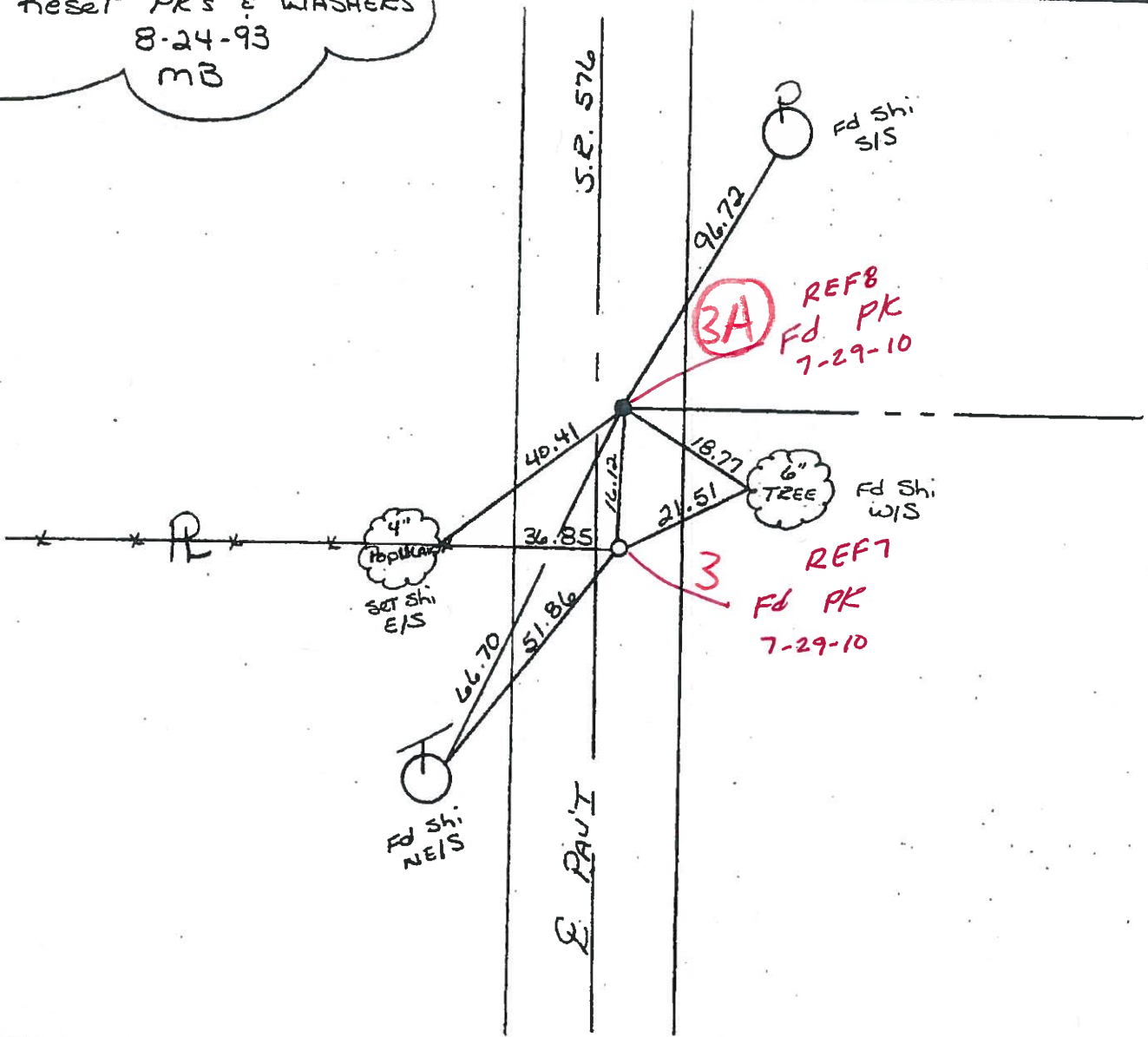
- & PAV'T. - RIGHT 1.2 1.2

8.9 TO RT EDGE PAVEMENT BOTH

S.L.M. 26+43 26+59



Reset PK's & WASHERS
 8-24-93
 MB



O.D.O.T. DISTRICT 2 SURVEY OFFICE

PERSONNEL _____

REFERENCE NO. 3

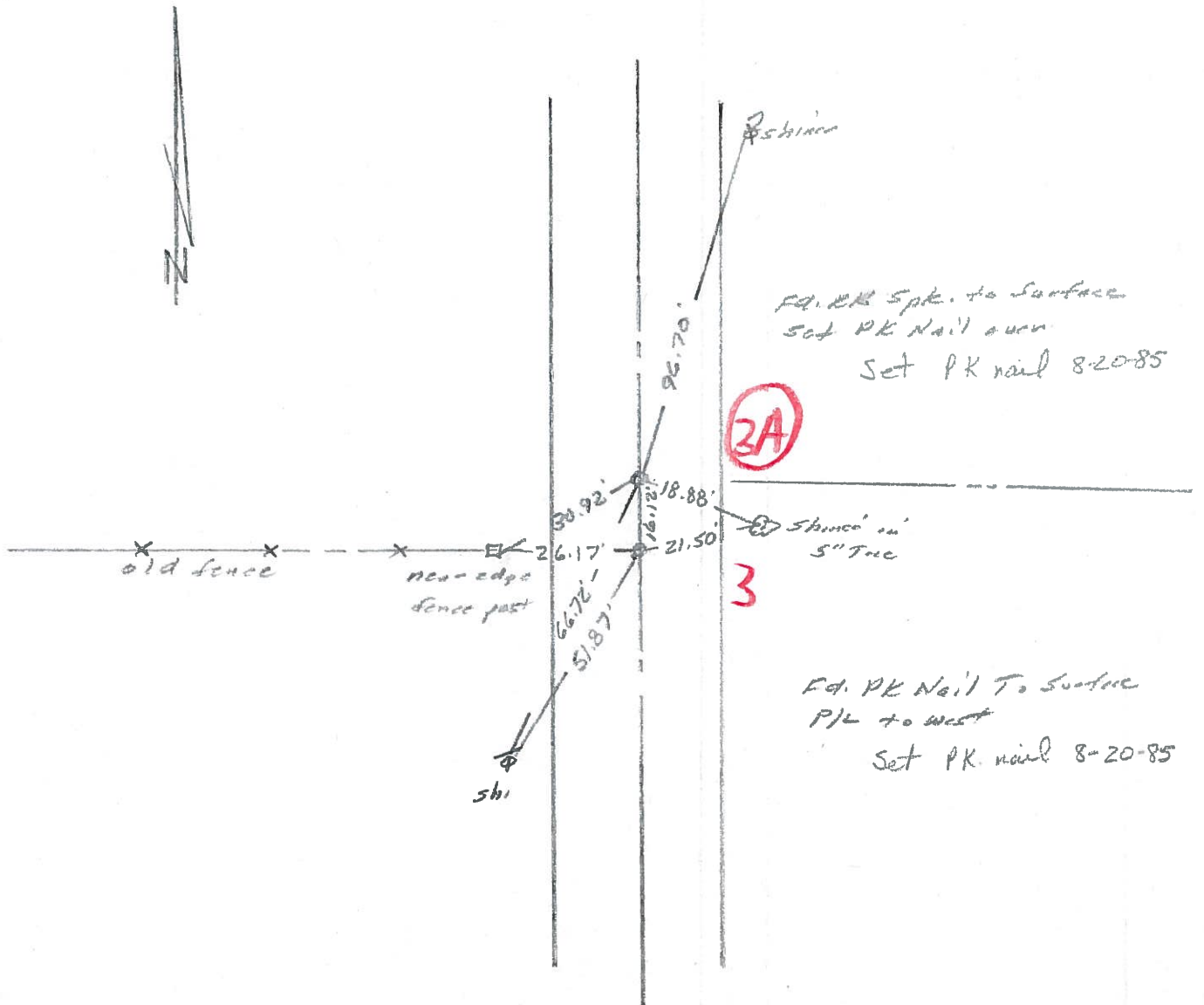
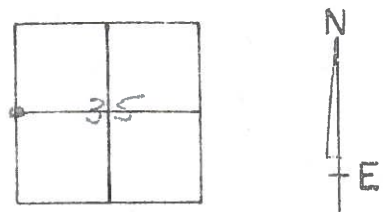
SHEET 4 OF _____

NOTES 1. Stone
 H.C. D. Curtis
 R.C. R. Michalak
J. Householder

DATE 6 Sept. 85
 WEATHER Rain
 TEMP. 75°

ROUTE SR# 576
 COUNTY Williams
 TOWNSHIP Custer
 SECTION 35
 T _____ R _____

TYPE MONUMENT Set PK Nails
 ON SURFACE - BELOW _____
 LEFT - @ PAW'T. - RIGHT _____
 TO _____ EDGE PAVEMENT
 S.L.M. 26+50 ±



County Williams S.R. 576

Date 18 Aug. 80

Township Center

Weather Cloudy

Section 35

Temp. 67°

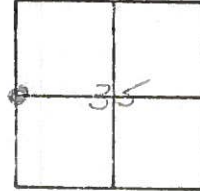
T_N, R_E

Personnel L. Stone

R. Michalak

P. Neuser

D. Curtis



REF. NO. **3**

