

O.D.O.T. DISTRICT 2 SURVEY OFFICE (USE ONLY)

PERSONNEL _____

REFERENCE NO. 7 C

SHEET 2 OF 29

NOTES NIESE

DATE 3-31-21

ROUTE SR 576

H.C. AUBLE

WEATHER WINDY

COUNTY WILLIAMS

R.C. NIESE

TEMP. 39° F

TOWNSHIP CENTER

SECTION 23

DWG BY AUBLE PID PAVETRAIN

T 6 N R 2 E

TYPE MONUMENT MONBOX W/1" IPIN

ON SURFACE - ~~BELOW~~ ON

OFFSET Q PAVEMENT 7.6' LT : ~~RT~~

- TO - EDGE PAVEMENT

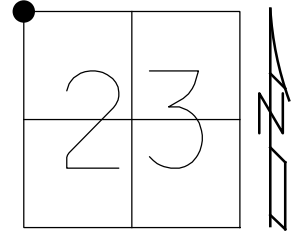
STATION: 158+90.42

HORIZ.DATUM: NAD83 (2011)

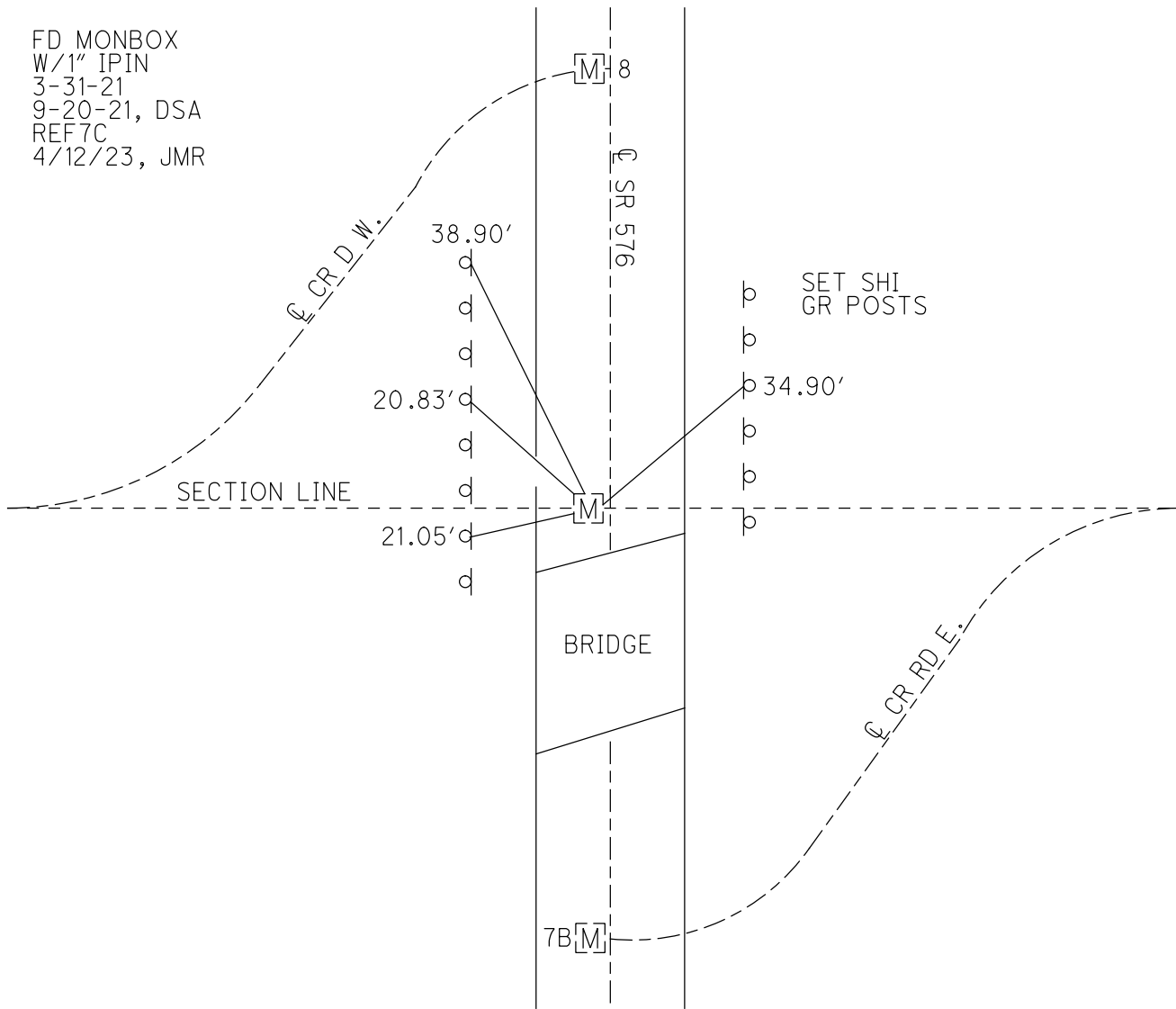
GEOID: NAVD88 2018

GRID: NORTHING: 664171.184

EASTING: 1389477.759



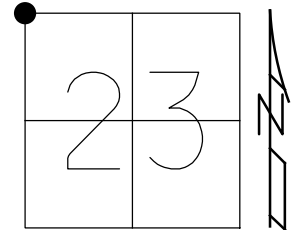
FD MONBOX
W/1" IPIN
3-31-21
9-20-21, DSA
REF 7C
4/12/23, JMR



O.D.O.T. DISTRICT 2 SURVEY OFFICE (USE ONLY)

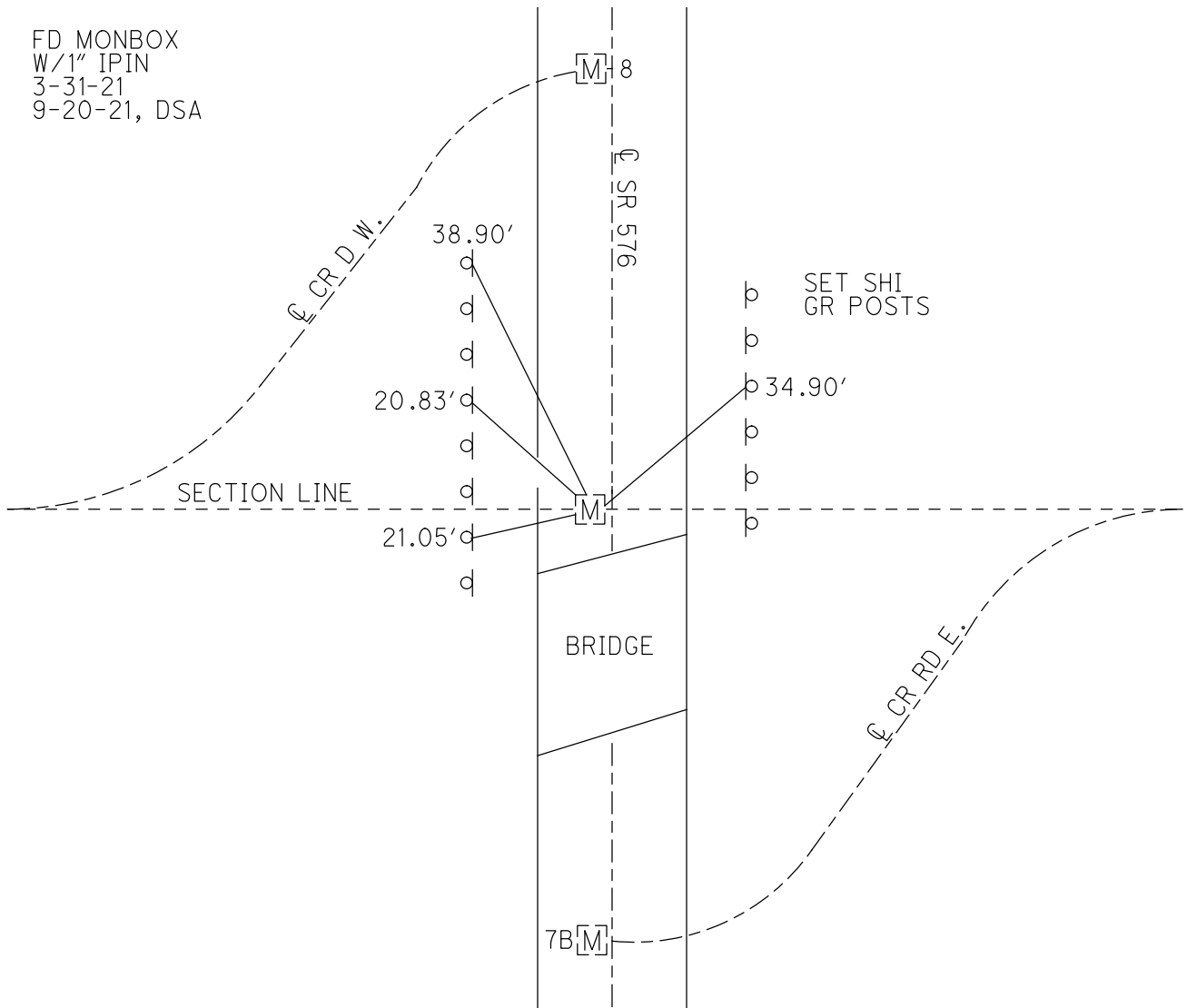
PERSONNEL _____ REFERENCE NO. 7 C SHEET 2 OF 29
 NOTES NIESE DATE 3-31-21 ROUTE SR 576
 H.C. AUBLE WEATHER WINDY COUNTY WILLIAMS
 R.C. NIESE TEMP. 39° F TOWNSHIP CENTER
 DWG BY AUBLE PID PAVETRAIN SECTION 23
 T 6 N R 2 E

TYPE MONUMENT MONBOX W/1" IPIN
 ON SURFACE - ~~BELOW~~ ON
 OFFSET CL PAVEMENT 7.6' LT : ~~RT~~
- TO - EDGE PAVEMENT
 STATION: 158+90.42



HORZ.DATUM: NAD83 (2011) GEOID: NAVD88 2018
 GRID: NORTHING: 664171.224 EASTING: 1389477.771

FD MONBOX
 W/1" IPIN
 3-31-21
 9-20-21, DSA



O.D.O.T. DISTRICT 2 SURVEY OFFICE USE ONLY

PERSONNEL

REFERENCE NO. 8

SHEET 1 OF 27

NOTES HOMAN

DATE 6-14-11

ROUTE S.R. 576

H.C. HOMAN

WEATHER SUNNY

COUNTY WILLIAMS

R.C. ROUSOS

TEMP. 65°

TOWNSHIP CENTER

SECTION 23

T 6 N R 2 E

TYPE MONUMENT MON BOX

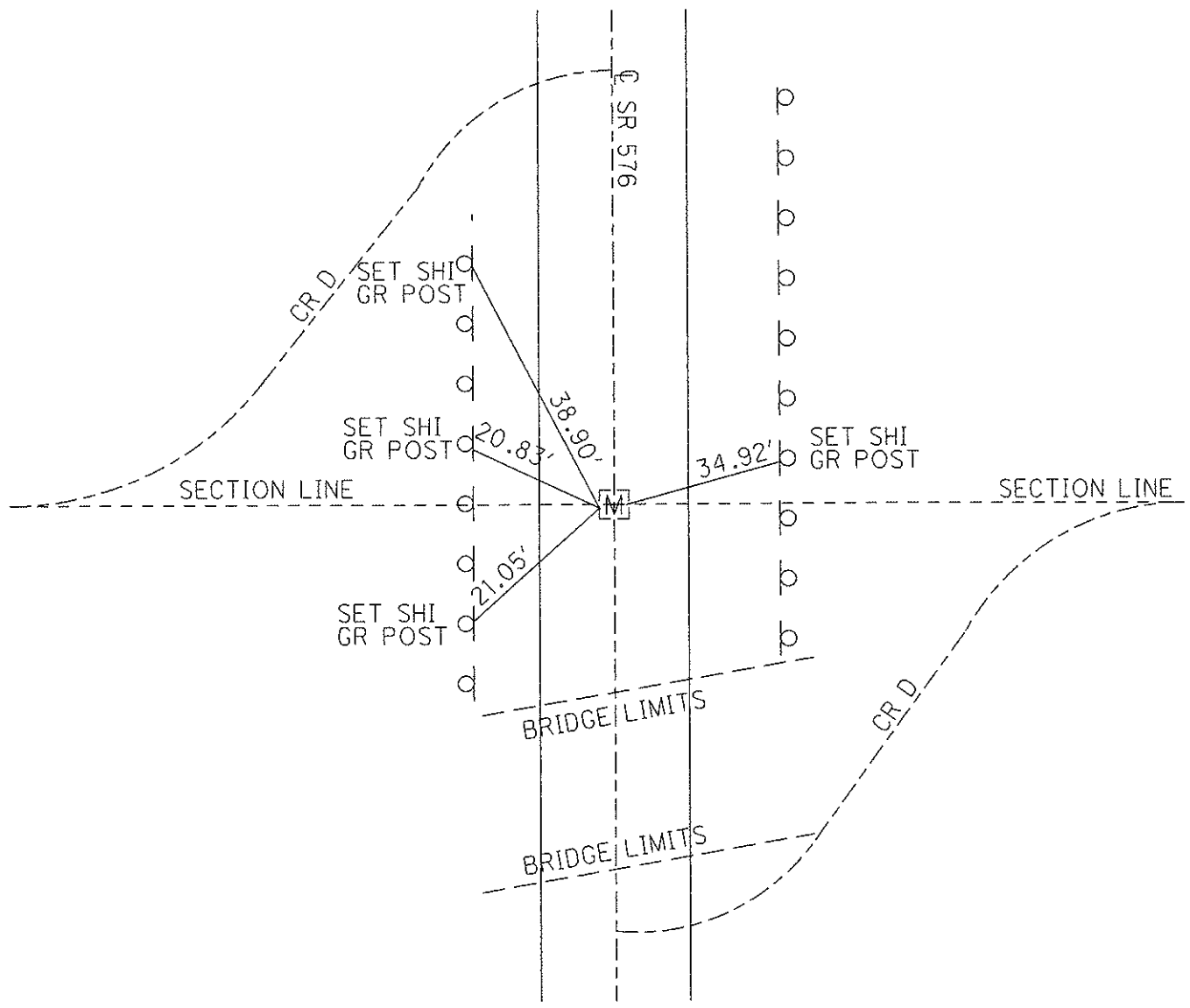
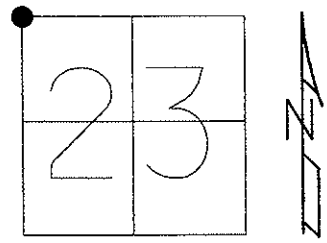
ON SURFACE ~~BELOW~~ ON

LEFT - ~~C PAVT~~ ~~RIGHT~~ 7.6' LT

18.8 TO RT EDGE PAVEMENT

S.L.M. 158+90

Grid: Northing: 664171.279 Easting: 1389477.719



O.D.O.T. DISTRICT 2 SURVEY OFFICE

PERSONNEL

REFERENCE NO. 8 SHEET 11 OF 16

NOTES VAN DUSEN
 H.C. CORDS
 R.C. BARNHISEL
OTTO

DATE 6-10-93
 WEATHER CLOUDY
 TEMP. +60°

ROUTE S.R. # 576
 COUNTY Williams
 TOWNSHIP Center
 SECTION 23
T6 NR 2 E

TYPE MONUMENT P.K. Nail
 ON SURFACE - ~~BELOW~~ YES
 LEFT-~~C~~ PAV'T. - RIGHT 7.6 ON E W. EXTENDED
18.8 TO RT EDGE PAVEMENT
 S.L.M. 159+52

15	14
22	23



Reset P.K. & WASHER
8-24-93
MIB

3.050

REA 15

Pd Mon Box
7-29-10

S.R. # 576

G. RAIL

P.M. BEG
54586

Set SHINER'S
IN G. RAIL
POST
WIS

Co. Rd. "D"

27.89

23.73

25.89

33.50

Set PK nail over
RR Spk.
9-6-85

Bridge
over R.R.

New
Bridge

← Rep 15



O.D.O.T. DISTRICT 2 SURVEY OFFICE

PERSONNEL

REFERENCE NO. 8

SHEET 11 OF 16

NOTES VAN DUSEN

H.C. CORDES

R.C. BARNHISEL

OTTO

DATE 6-10-93

WEATHER CLOUDY

TEMP. +60°

ROUTE S.R. #576

COUNTY Williams

TOWNSHIP Center

SECTION 23

T6 N R 2 E

TYPE MONUMENT P.K. Nail

ON SURFACE - ~~BELOW~~ yes

LEFT-~~C~~ PAV'T. - ~~RIGHT~~ 7.6 ON ~~E~~ W. EXTENDED

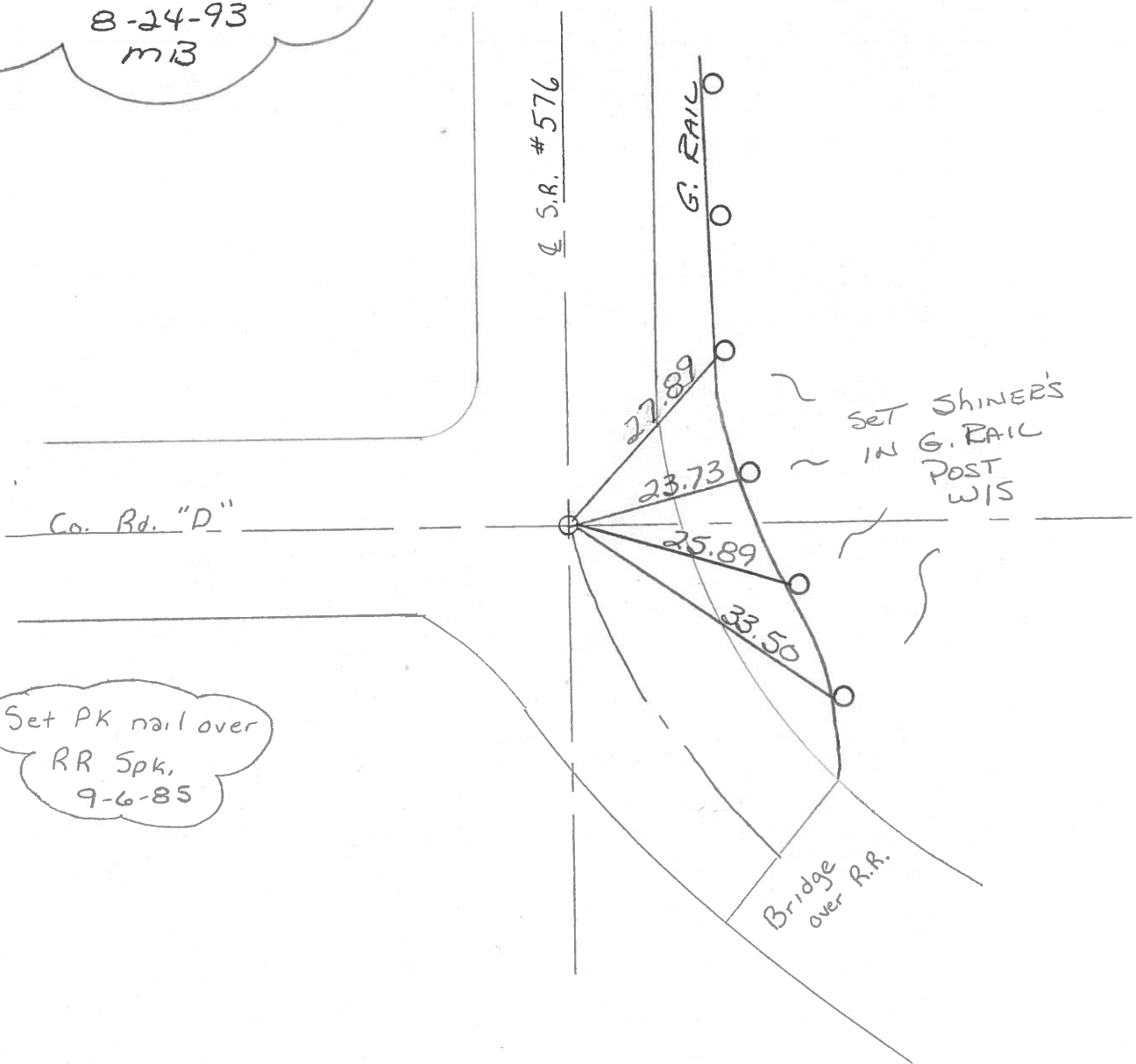
18.8 TO RT EDGE PAVEMENT

S.L.M. 159+52

15	14
22	23



Reset P.K. & WASHER
8-24-93
m13



Set PK nail over
RR Spk,
9-6-85

O.D.O.T. DISTRICT 2 SURVEY OFFICE

PERSONNEL _____

REFERENCE NO. 8

SHEET 9 OF _____

NOTES 1. Stone

H.C. D. Curtis'

R.C. R. Michalak

J. Hausholder

DATE 6 Sept. 85

WEATHER Rain'

TEMP. 75°

ROUTE SP # 576

COUNTY Williams

TOWNSHIP Center

SECTION 23

T. R.

TYPE MONUMENT Set PK Nail 8-20-85

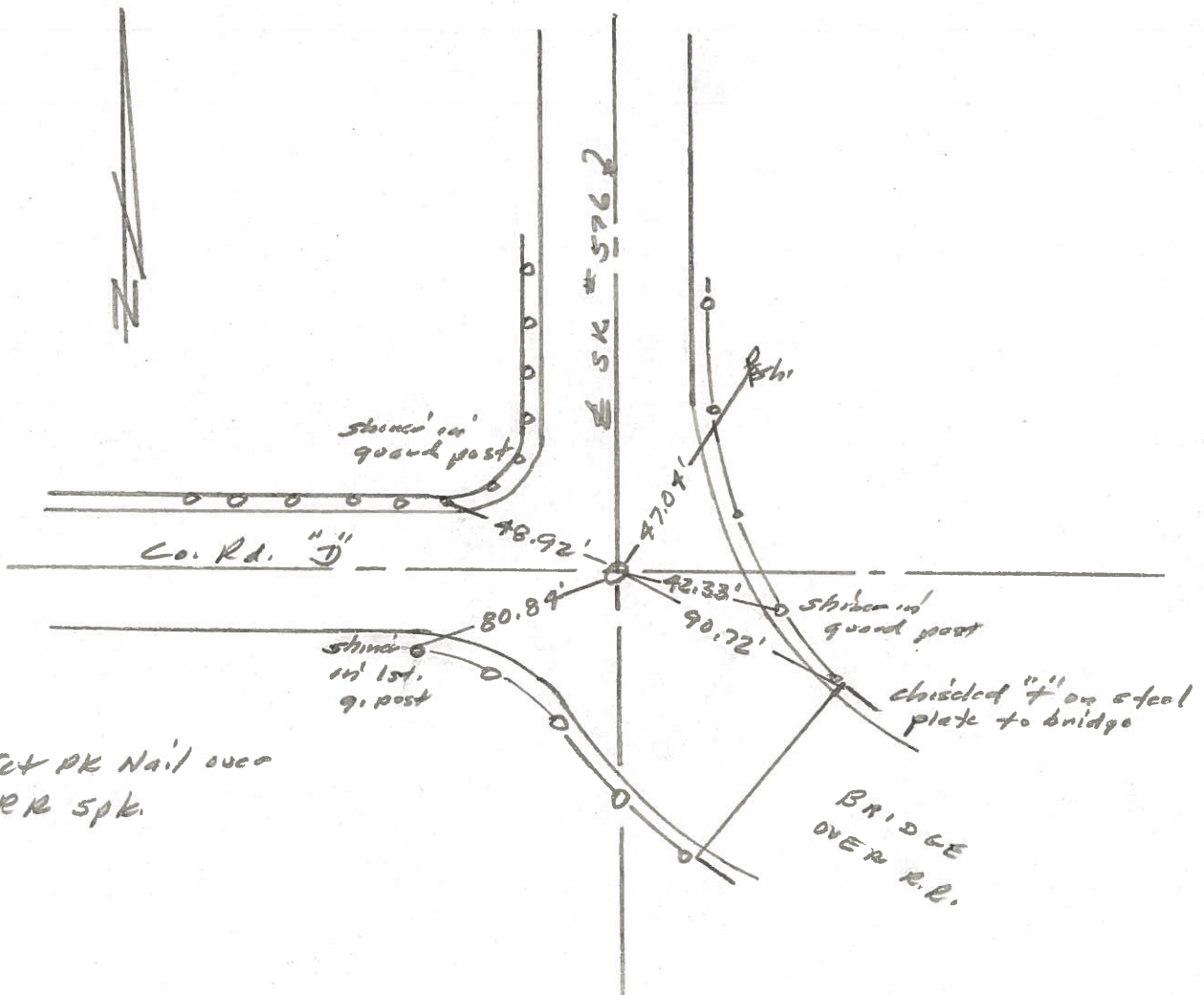
ON SURFACE - BELOW on surf.

LEFT - PAV'T. - RIGHT

 TO EDGE PAVEMENT

S.L.M.

15	14
22	23



County Williams S.R. 576

Date 18 Aug. 80

Township Center

Weather Cloudy

Section 14-15-22-23

Temp. 76°

T N, R E

Personnel I. Stone

R. Michalak

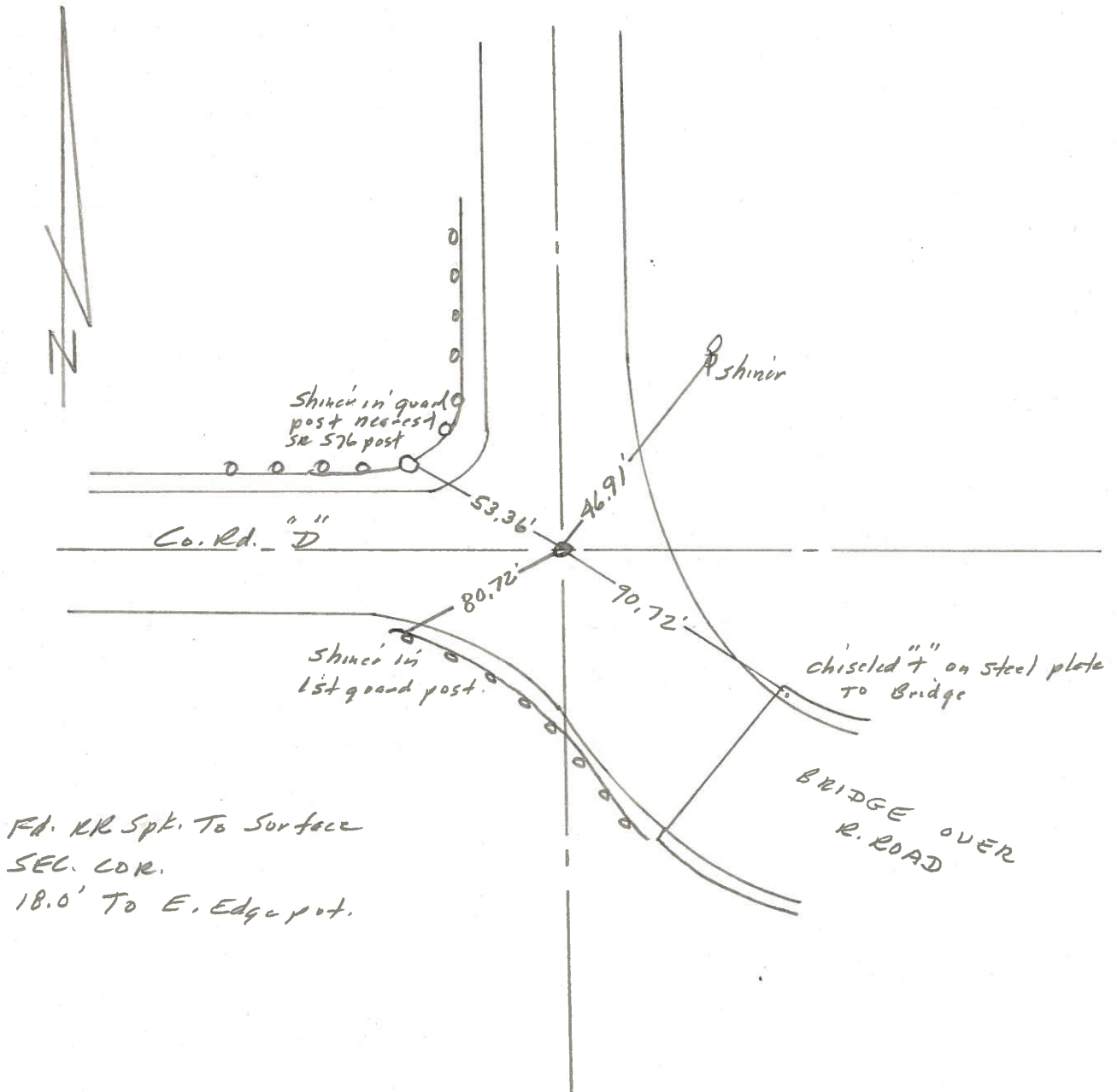
P. Neuser

D. Curtis

15	14
22	23



REF. No. 8



PERSONNEL	TITLE	PERSONNEL	TITLE	COUNTY	DATE		
Louys				Wi.	4-7-50		
Hoover				S. R. 576	WEATHER Fair		
Beach				SEC Defiance Co. Line to R.R. 34	TEMP 50°		
DESCRIPTION				LEFT	CENTER LINE	RIGHT	JOB NO.
Witnesses to Control Points							

