

O.D.O.T. DISTRICT 2 SURVEY OFFICE (USE ONLY)

PERSONNEL

REFERENCE NO. 9

SHEET 6 OF 29

NOTES RHOADES

DATE 7-1-20

ROUTE SR 576

H.C. AUBLE

WEATHER SUNNY

COUNTY WILLIAMS

R.C. RHOADES

TEMP. 73°F

TOWNSHIP CENTER

DWG BY MAHLER

PID PAVETRAIN

SECTION 14

T 6 N R 2 E

TYPE MONUMENT MAG/WASHER

ON SURFACE - ~~BELOW~~ ON

OFFSET Q PAVEMENT 2.6' LT : ~~RT~~

7.3' TO LT EDGE PAVEMENT

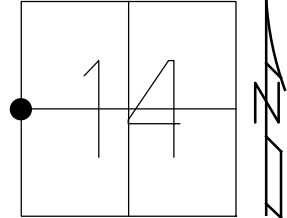
STATION: 185+50.10

HORZ.DATUM: NAD83 2011

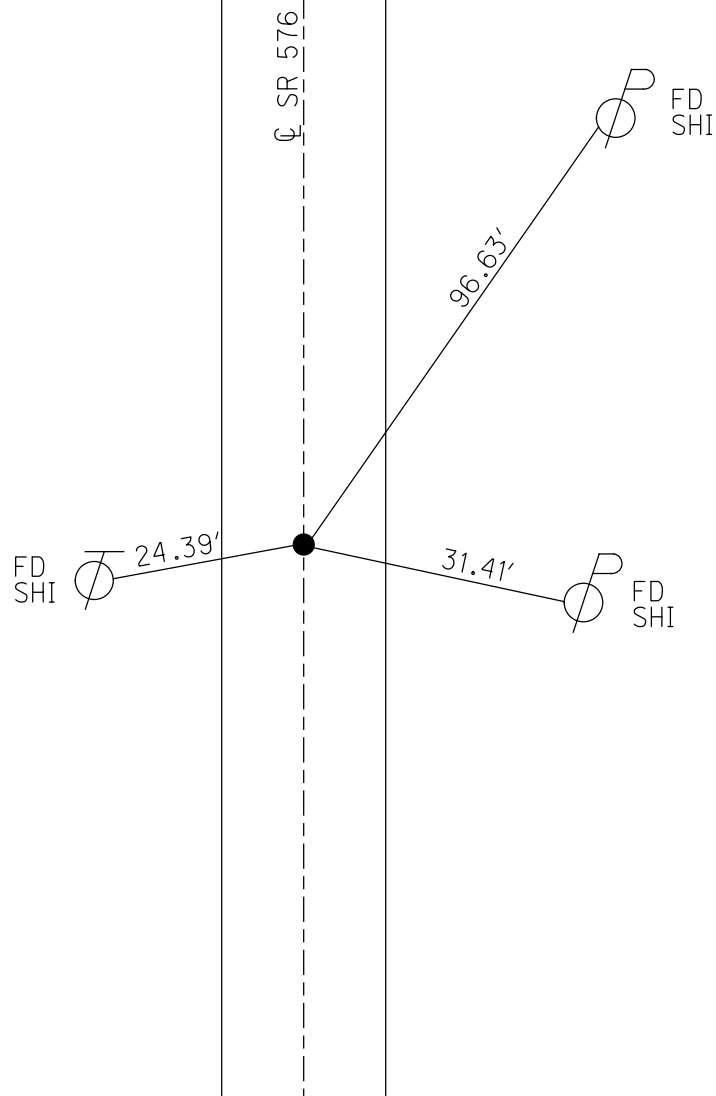
GEOID: NAVD88 2018

GRID: NORTHING: 666830.473

EASTING: 1389524.988



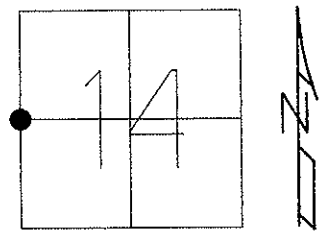
RECORD:
FD 1" IPIN
6/14/11, DCH
SET MAG/WASHER
8-11-11, DCH
FD MAG/WASHER
REF9
7-1-20
9-20-21, DSA



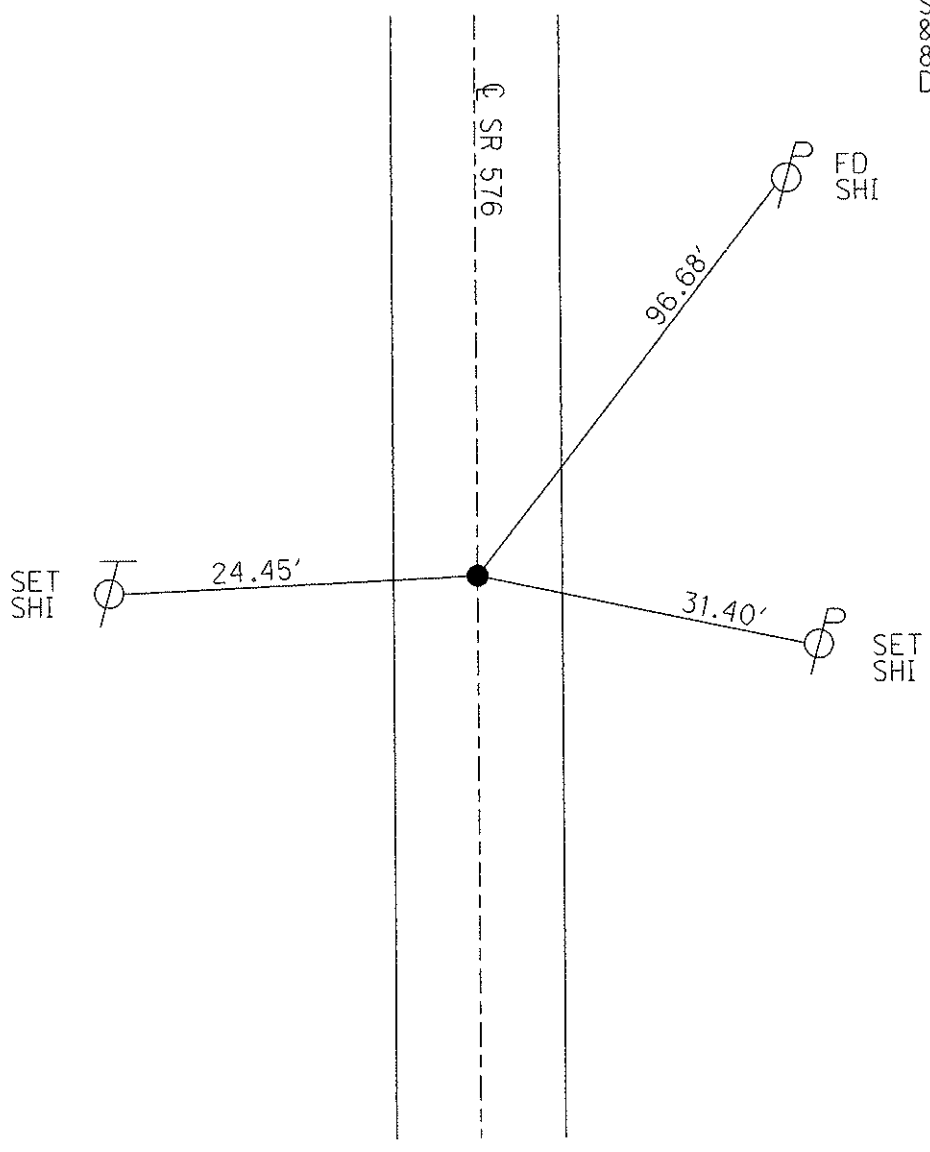
O.D.O.T. DISTRICT 2 SURVEY OFFICE USE ONLY

PERSONNEL	REFERENCE NO. <u>9</u>	SHEET <u>4</u> OF <u>27</u>
NOTES <u>HOMAN</u>	DATE <u>6-14-11</u>	ROUTE <u>S.R. 576</u>
H.C. <u>HOMAN</u>	WEATHER <u>SUNNY</u>	COUNTY <u>WILLIAMS</u>
R.C. <u>ROUSOS</u>	TEMP. <u>65°</u>	TOWNSHIP <u>CENTER</u>
		SECTION <u>14</u>
		<u>T 6 N R 2 E</u>

TYPE MONUMENT 1" IRON PIN
 ON SURFACE ~~BELOW~~ ON
 LEFT ~~C PAVT~~ RIGHT 2.6' LT
7.3 TO LT EDGE PAVEMENT
 S.L.M. 185+50
 Grid: Northing: 666830.541 Easting: 1389524.981



SET MAG NAIL
& WASHER
8-11-11
DCH



O.D.O.T. DISTRICT 2 SURVEY OFFICE

PERSONNEL

REFERENCE NO. 9

SHEET 14 OF 16

NOTES VAN DUSEN

H.C. CORDES

DATE 6-10-93

ROUTE S.R #576

R.C. BARNHISEL

WEATHER CLOUDY

COUNTY Williams

TEMP. +60°

TOWNSHIP Center

SECTION 14

T6NR2E

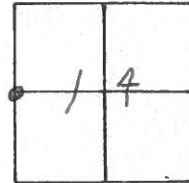
TYPE MONUMENT Fd. 1" I Pin

~~ON SURFACE~~ - BELOW 3"

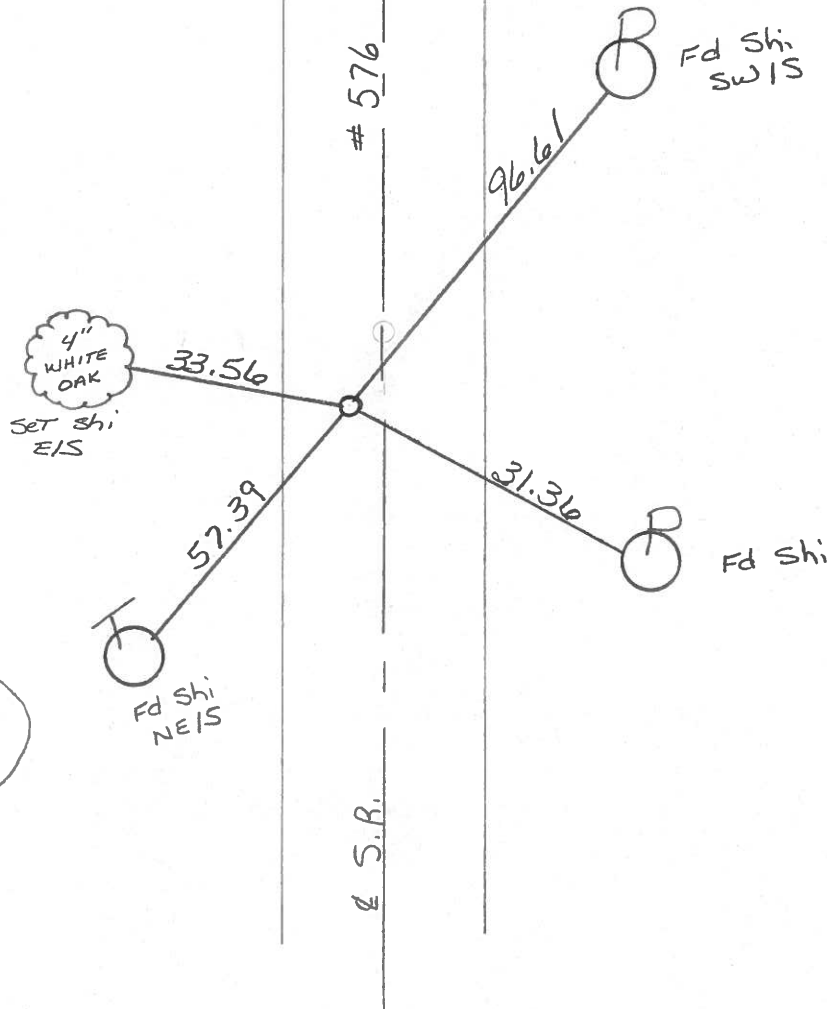
LEFT- ~~C~~ PAV'T. - ~~RIGHT~~ 2.6

2.3 TO LT EDGE PAVEMENT

S.L.M. 186+14



*Reset P.K. & WASHER
8-24-93
MB*



*Fd. 1" I. Pin
9-6-85*

O.D.O.T. DISTRICT 2 SURVEY OFFICE

PERSONNEL

REFERENCE NO. 9

SHEET 10 OF

NOTES 1. Stone

H.C. D. Cortes

R.C. R. Michalak

J. Husc halder

DATE 6 Sept. 85

WEATHER Rain

TEMP. 75°

ROUTE SR#576

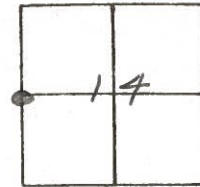
COUNTY Williams

TOWNSHIP Center

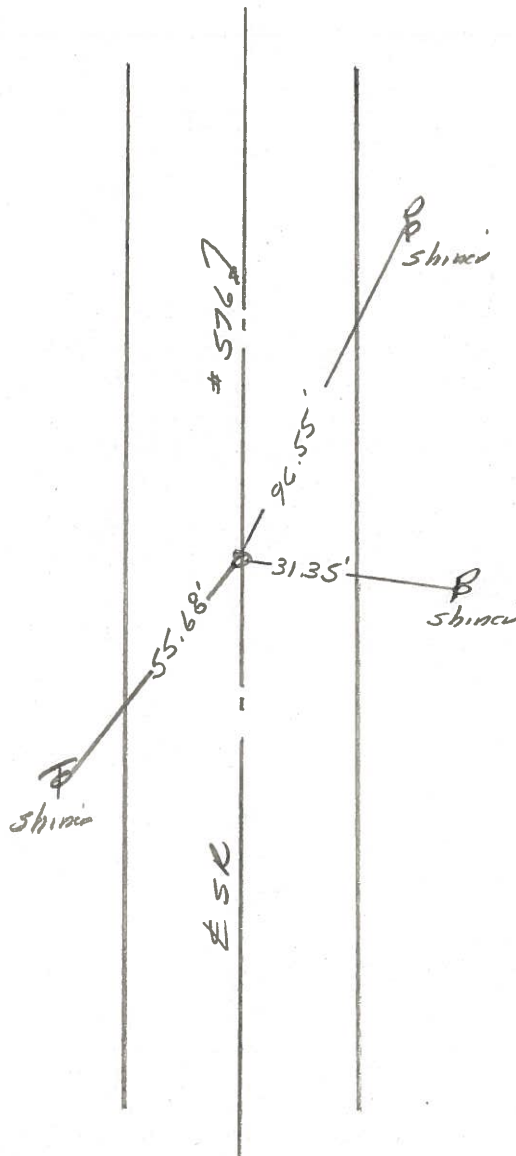
SECTION 14

T R

TYPE MONUMENT Fd. 1" Pin
 ON SURFACE - BELOW 3" below 8-20-85
 LEFT - ☉ PAW'T. - RIGHT
 TO EDGE PAVEMENT
 S.L.M. 186+10



Fd. 1" I. Pin



O.D.O.T. DISTRICT 2 SURVEY OFFICE

SHEET 10 OF

County Williams S.R. 576

Date 18 Aug, 80

Township Center

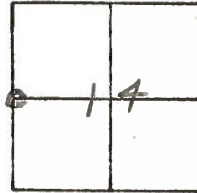
Weather Cloudy

Section 14

Temp. 79°

T N, R E

Personnel I. Stone



R. Michalak

P. Neuse

D. Curtis

REF. NO. 9

FD. LARGE I PIN

Ⓢ SURFACE - BENT

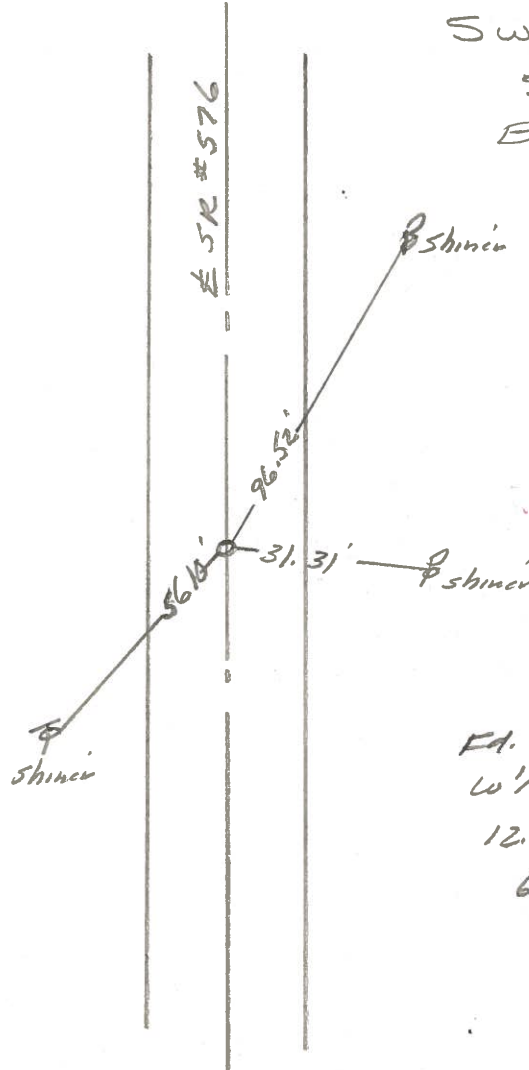
SWUNG TIES

SET SMALL RR SPIKE

BESIDE BENT PIN

11-19-84

S.W.H.



Ed. RR Spk. To Surface

W'14 Cor. Sec. 14

12.7' to E. edge put,

6.9' to W. edge put,