

O.D.O.T. DISTRICT 2 SURVEY OFFICE (USE ONLY)

PERSONNEL

REFERENCE NO. 10 AA

SHEET 9 OF 29

NOTES RHOADES

DATE 7-1-20

ROUTE SR 576

H.C. AUBLE

WEATHER SUNNY

COUNTY WILLIAMS

R.C. RHOADES

TEMP. 73°F

TOWNSHIP CENTER

SECTION 11

DWG BY MAHLER

PID PAVETRAIN

T 6 N R 2 E

TYPE MONUMENT MAG/WASHER

ON SURFACE - ~~BELOW~~ ON

OFFSET ☑ PAVEMENT 0.5' LT : ~~R~~

8.9' TO LT EDGE PAVEMENT

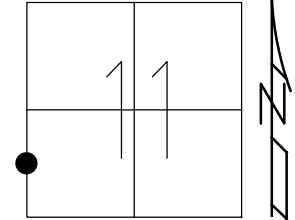
STATION: 220+04.56

HORZ. DATUM: NAD83 2011

GEOID: NAVD88 2018

GRID: NORTHING: 670292.799

EASTING: 1389603.078



RECORD:  
 FD P.K./WASHER  
 6/14/11, DCH  
 SET MAG/WASHER  
 8-11-11, DCH  
 FD MAG/WASHER  
 REFAA10  
 7-1-20  
 9-20-21, DSA

☑ SR 576

TOP 3RD BRICK  
 MB POST  
 #05141

**MB**

27.17'

38.10'



78.17'



97.17'



O.D.O.T. DISTRICT 2 SURVEY OFFICE (USE ONLY)

PERSONNEL

REFERENCE NO. 10 AA

SHEET 9 OF 29

NOTES RHOADES

DATE 7-1-20

ROUTE SR 576

H.C. AUBLE

WEATHER SUNNY

COUNTY WILLIAMS

R.C. RHOADES

TEMP. 73°F

TOWNSHIP CENTER

SECTION 11

DWG BY MAHLER

PID PAVETRAIN

T 6 N R 2 E

TYPE MONUMENT MAG/WASHER

ON SURFACE - ~~BELOW~~ ON

OFFSET  $\text{C}$  PAVEMENT 0.5' LT : ~~R~~

8.9' TO LT EDGE PAVEMENT

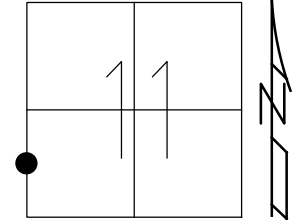
STATION: 220+04.56

HORZ.DATUM: NAD83 2011

GEOID: NAVD88 2018

GRID: NORTHING: 670292.799

EASTING: 1389603.078

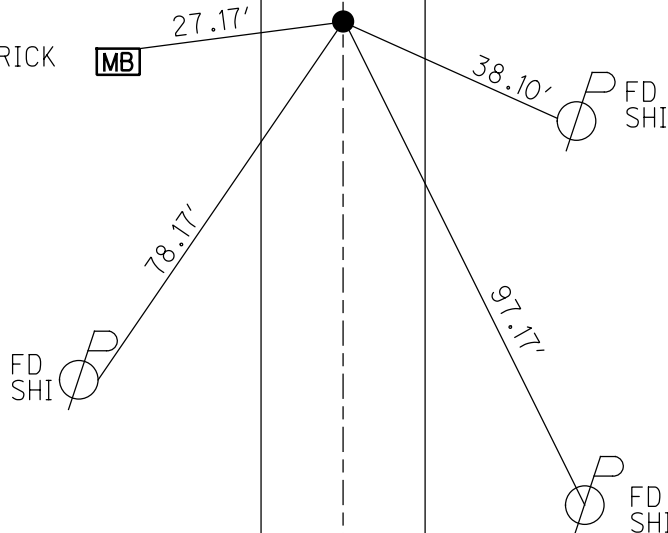


RECORD:  
 FD P.K./WASHER  
 6/14/11, DCH  
 SET MAG/WASHER  
 8-11-11, DCH  
 FD MAG/WASHER  
 REFAA10  
 7-1-20  
 9-20-21, DSA

C SR 576

TOP 3RD BRICK  
 MB POST  
 #05141

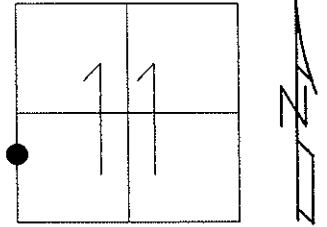
**MB**



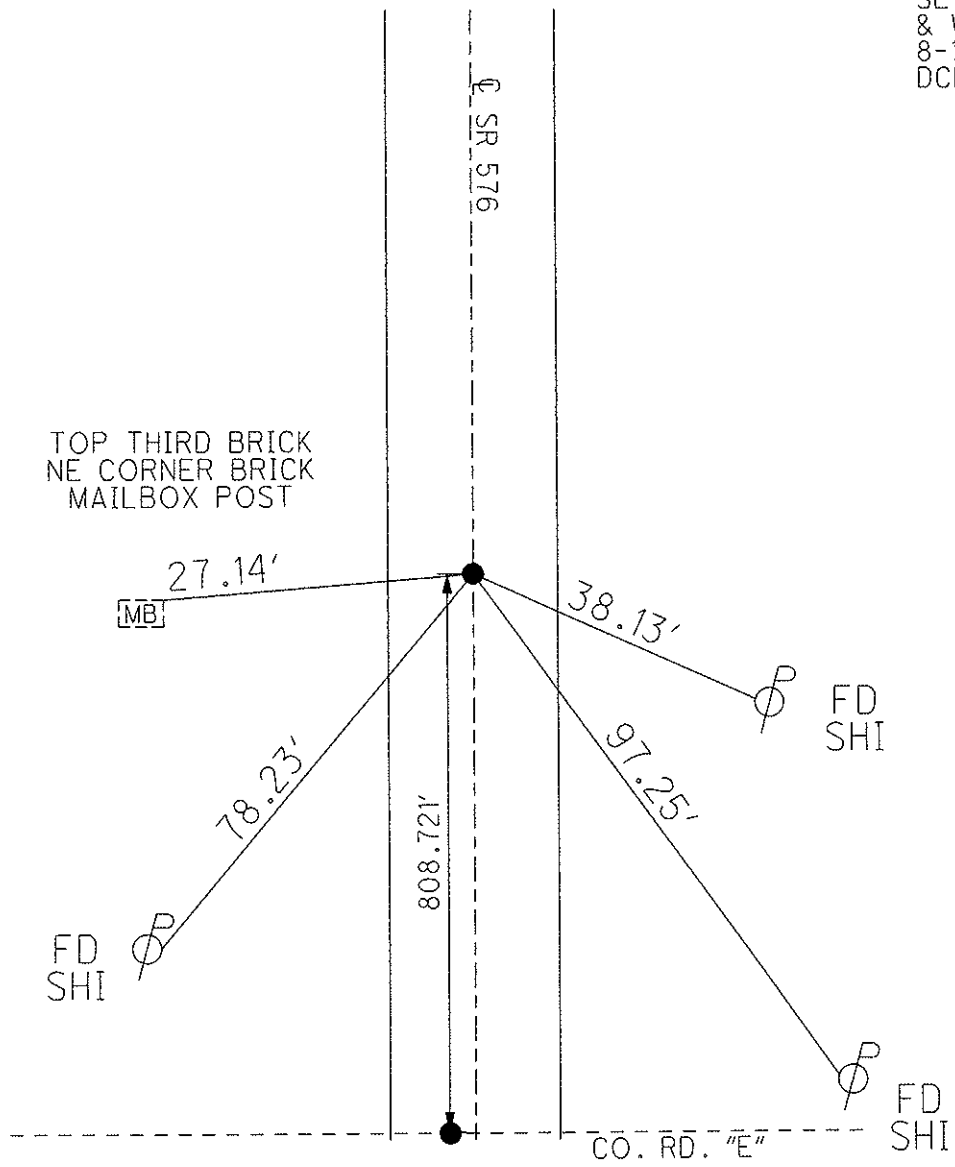
O.D.O.T. DISTRICT 2 SURVEY OFFICE USE ONLY

PERSONNEL	REFERENCE NO. <u>10-1</u>	SHEET <u>7</u> OF <u>27</u>
NOTES <u>HOMAN</u>	DATE <u>6-14-11</u>	ROUTE <u>S.R. 576</u>
H.C. <u>HOMAN</u>	WEATHER <u>SUNNY</u>	COUNTY <u>WILLIAMS</u>
R.C. <u>ROUSOS</u>	TEMP. <u>65°</u>	TOWNSHIP <u>CENTER</u>
		SECTION <u>11</u>
		T <u>6</u> N R <u>2</u> E

TYPE MONUMENT PK WASHER - TOP OF HILL  
 ON SURFACE ~~BELOW~~ ON \_\_\_\_\_  
 LEFT - ~~C PAV'T~~ RIGHT 0.5' LT  
8.9 TO LT EDGE PAVEMENT  
 S.L.M. 220+13  
 Grid: Northing: 670292.744 Easting: 1389603.014



SET MAG NAIL  
& WASHER  
8-11-11  
DCH



O.D.O.T. DISTRICT 2 SURVEY OFFICE

PERSONNEL

REFERENCE NO. 10-1

SHEET 2 OF 5

NOTES NUHFER

DATE 7-10-06

ROUTE SR. 576

H.C. MIKLOVIC

WEATHER SUNNY

COUNTY WILLIAMS

R.C. HUSS

TEMP. +75°

TOWNSHIP CENTER

SECTION 11

T 6 N R 2 E

TYPE MONUMENT PK/WASHER - TOP OF HILL

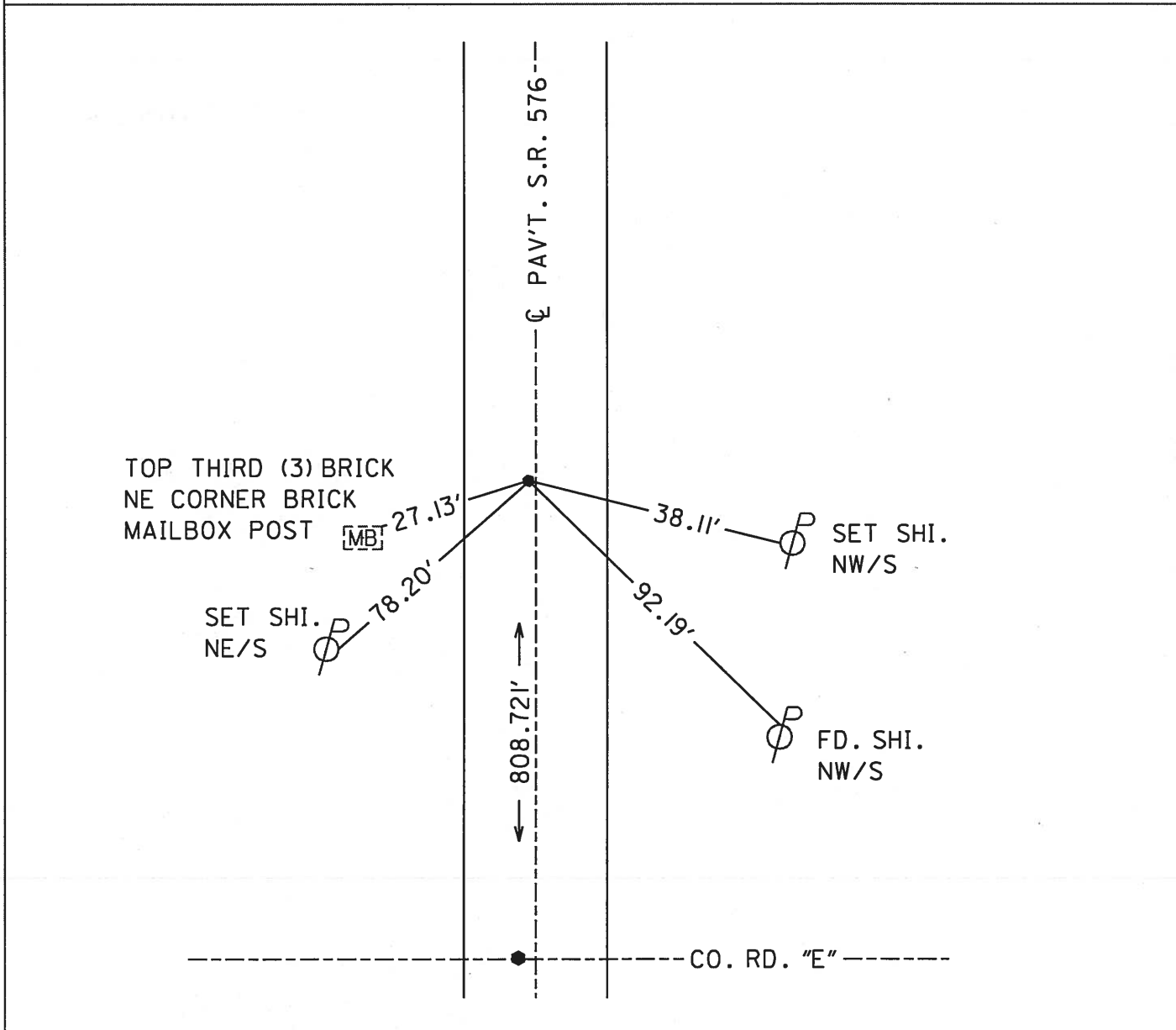
ON SURFACE - ~~BELOW~~ YES

LEFT - Q PAV'T - ~~RIGHT~~ 0.5'

8.9 TO LT. EDGE PAVEMENT

S.L.M. 220+53.06

10	●	11
15		14



# O.D.O.T. DISTRICT 2 SURVEY OFFICE

PERSONNEL

REFERENCE NO. 10-1

SHEET \_\_\_\_\_ OF \_\_\_\_\_

NOTES VAN DUSEN

H.C. MOJER

DATE 2-21-95

ROUTE SR. 576

R.C. BARNHISEL

WEATHER CLOUDY

COUNTY WILLIAMS

CORDES

TEMP. +25° F

TOWNSHIP CENTER

SECTION 11

T. 6 N R. 2 E

TYPE MONUMENT PK& WASHER

ON TOP  
OF HILL

ON SURFACE - BELOW YES

LEFT- & PAV'T. - RIGHT 0.5

8.9 TO LT. EDGE PAVEMENT

S.L.M. 220+79.74

