

O.D.O.T. DISTRICT 2 SURVEY OFFICE (USE ONLY)

PERSONNEL _____

REFERENCE NO. 10 B

SHEET 11 OF 29

NOTES RHOADES

DATE 7-1-20

ROUTE SR 576

H.C. AUBLE

WEATHER SUNNY

COUNTY WILLIAMS

R.C. RHOADES

TEMP. 81°F

TOWNSHIP CENTER

SECTION 11

DWG BY MAHLER PID PAVETRAIN

T 6 N R 2 E

TYPE MONUMENT MAG/WASHER

ON SURFACE - ~~BELOW~~ ON

OFFSET C PAVEMENT 1.6' RT : RT

8.5' TO RT EDGE PAVEMENT

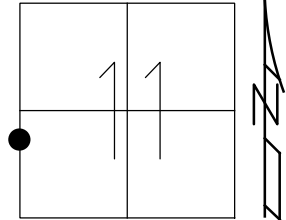
STATION: 233+64

HORZ. DATUM: NAD83 2011

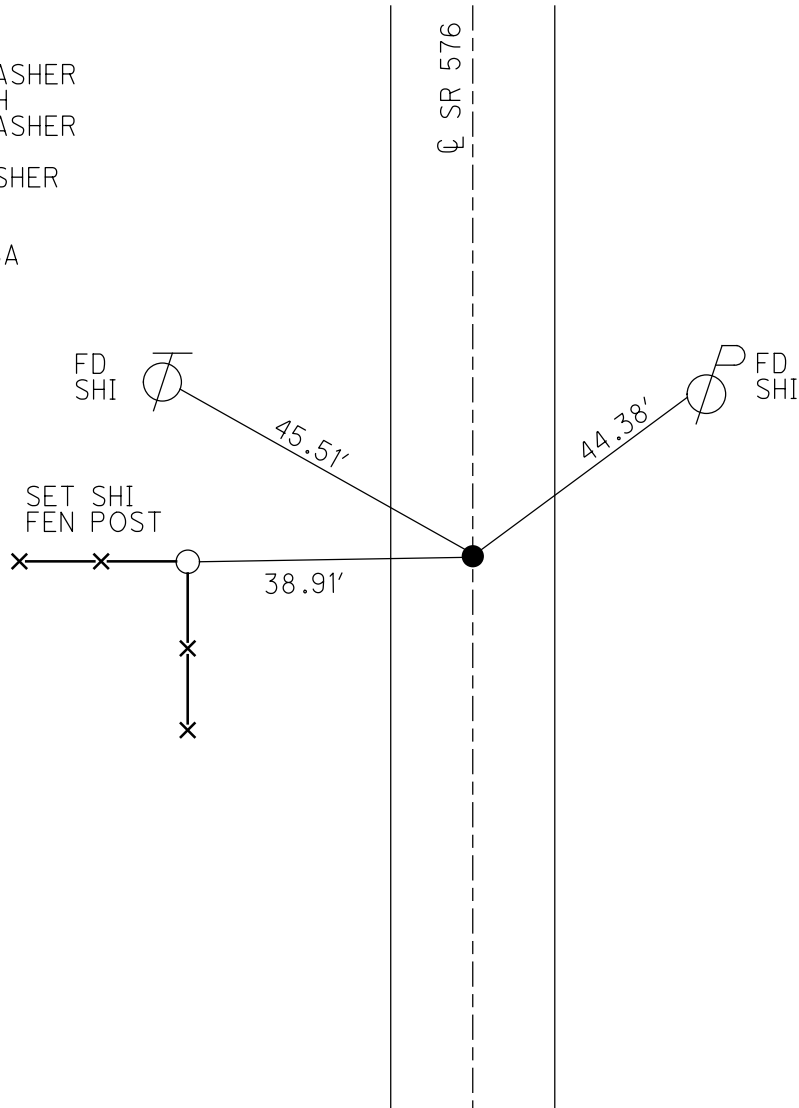
GEOID: NAVD88 2018

GRID: NORTHING: 671643.973

EASTING: 1389646.277



RECORD:
 SET MAG/WASHER
 6/14/11, DCH
 SET MAG/WASHER
 8-11-11, DCH
 FD MAG/WASHER
 REFB10
 7-1-20
 9-20-21, DSA



O.D.O.T. DISTRICT 2 SURVEY OFFICE USE ONLY

PERSONNEL

REFERENCE NO. 10-B

SHEET 9 OF 27

NOTES HOMAN

DATE 6-14-11

ROUTE S.R. 576

H.C. HOMAN

WEATHER SUNNY

COUNTY WILLIAMS

R.C. ROUSOS

TEMP. 70°

TOWNSHIP CENTER

SECTION 11

T 6 N R 2 E

TYPE MONUMENT REESTABLISHED FROM TIES

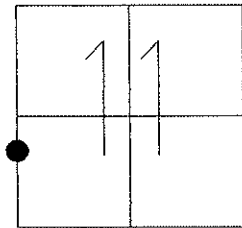
ON SURFACE - ~~BELOW~~ ON

~~LEFT~~ RIGHT 1.6' RT

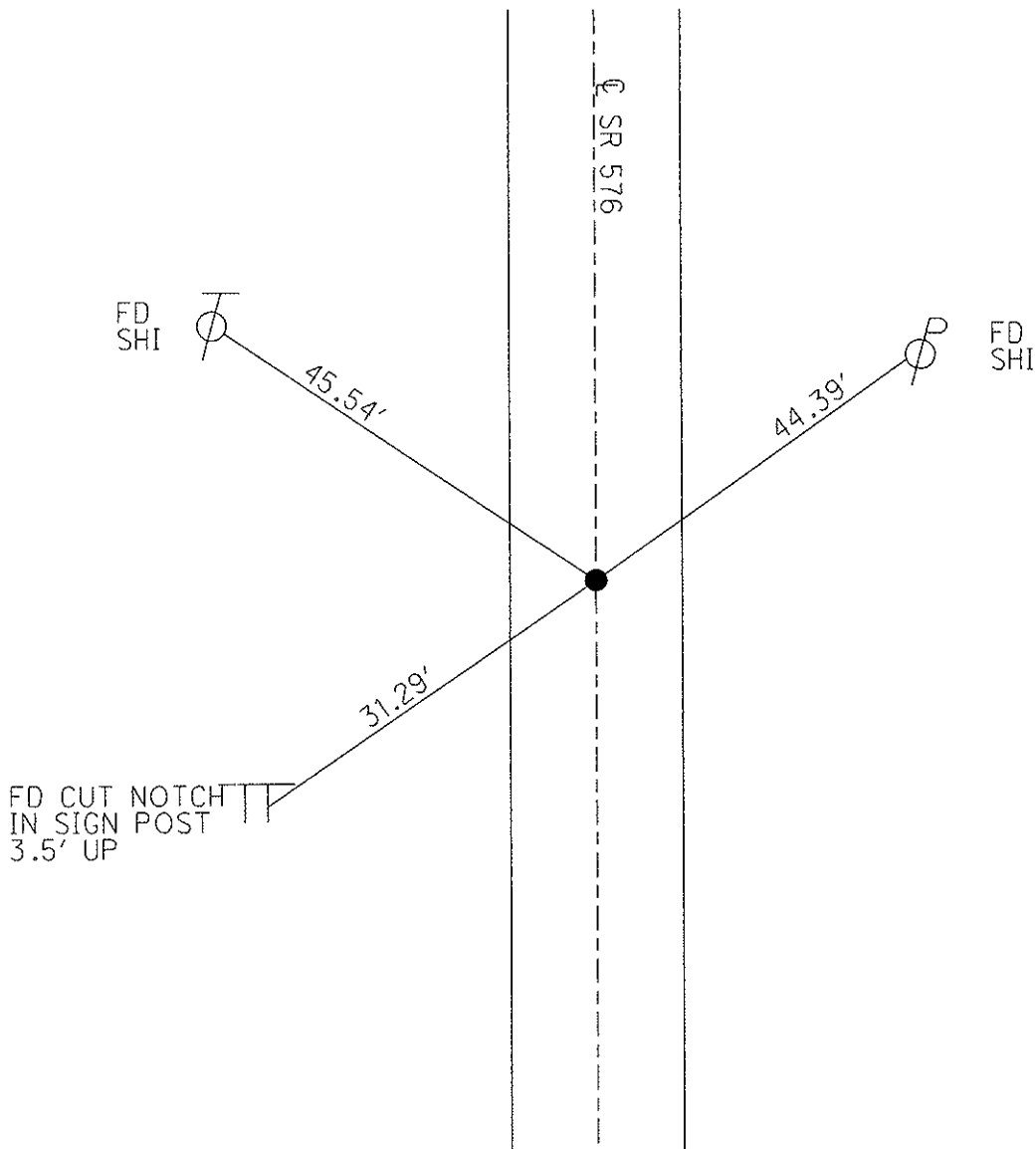
8.5 TO RT EDGE PAVEMENT

S.L.M. 220+13

Grid: Northing: 671644.047 Easting: 1389646.307



SET MAG NAIL
& WASHER
8-11-11
DCH



O.D.O.T. DISTRICT 2 SURVEY OFFICE

PERSONNEL _____ REFERENCE NO. 10-13 SHEET _____ OF _____

NOTES VAN DUJEN

H.C. MOSEER

R.C. BARNHISEL

CORDS

DATE 2-21-95

WEATHER CLOUDY

TEMP. +25° F

ROUTE S.R. 576

COUNTY WILLIAMS

TOWNSHIP CENTER

SECTION 11

T6 N R 2 E

TYPE MONUMENT PK & WASHER

ON TOP OF HILL

ON SURFACE - ~~BELOW~~ YES

~~LEFT~~ - C. PAV'T. - RIGHT 1.6

8.5 TO RT. EDGE PAVEMENT

S.L.M. 234+58.51

