

O.D.O.T. DISTRICT 2 SURVEY OFFICE (USE ONLY)

PERSONNEL

REFERENCE NO. 15 A

SHEET 19 OF 29

NOTES NIESE

DATE 3-31-21

ROUTE SR 576

H.C. AUBLE

WEATHER WINDY

COUNTY WILLIAMS

R.C. NIESE

TEMP. 70° F

TOWNSHIP SUPERIOR

SECTION 26

DWG BY AUBLE

PID PAVETRAIN

T 7 N R 2 E

TYPE MONUMENT MAG/WASHER

ON SURFACE - ~~BELOW~~ ON

OFFSET ☉ PAVEMENT ON LT : RT

8.7' TO LT EDGE PAVEMENT

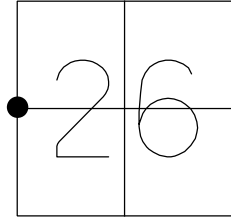
STATION: 397+25.26

HORIZ.DATUM: NAD83 (2011)

GEOID: NAVD88 2018

GRID: NORTHING: 687911.297

EASTING: 1390067.707



RECORD:
 SET MAG/WASHER
 8-11-11, DCH
 FD MAG/WASHER
 REFA15
 3-31-21, DSA
 9-20-21, DSA



49.75'

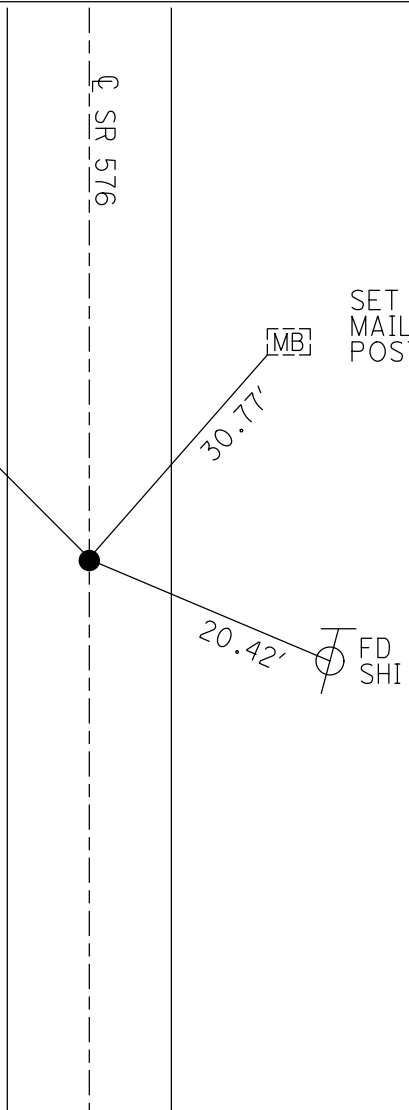
☉ SR 576

SET TACK
 MAIL BOX
 POST #08512



30.77'

20.42'



O.D.O.T. DISTRICT 2 SURVEY OFFICE USE ONLY

PERSONNEL

REFERENCE NO. 15-A

SHEET 17 OF 27

NOTES HOMAN

DATE 6-16-11

ROUTE S.R. 576

H.C. HOMAN

WEATHER CLOUDY

COUNTY WILLIAMS

R.C. ROUSOS

TEMP. 70°

TOWNSHIP SUPERIOR

SECTION 26

T 7 N R 2 E

TYPE MONUMENT PK/WASHER

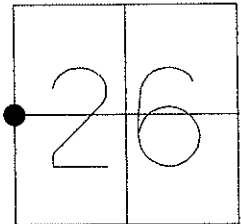
ON SURFACE - ~~BELOW~~ ON

~~LEFT~~ - Q PAV'T - ~~RIGHT~~ ON

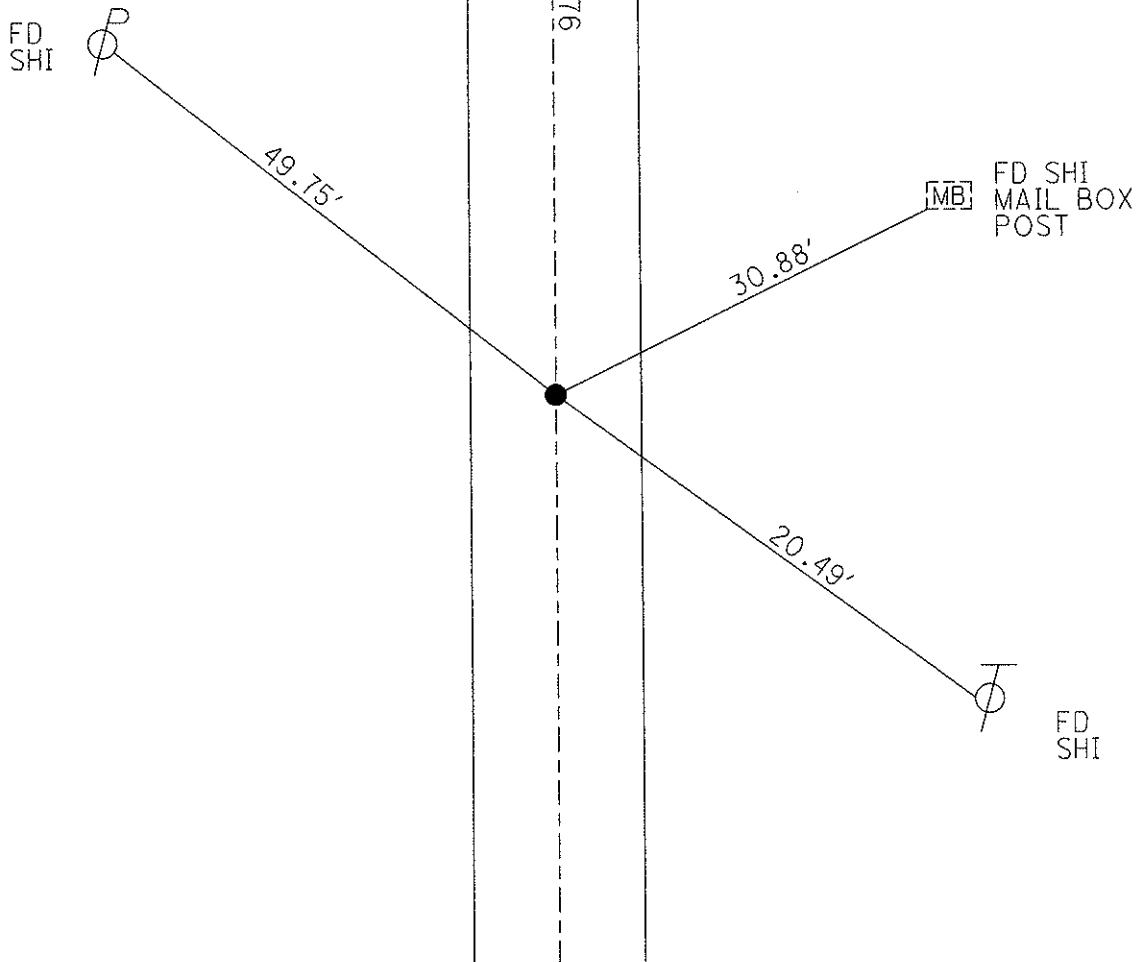
8.7 TO LT EDGE PAVEMENT

S.L.M. 397+25

Grid: Northing: 687911.334 Easting: 1390067.603



SET MAG NAIL
& WASHER
8-11-11
DCH



O.D.O.T. DISTRICT 2 SURVEY OFFICE

PERSONNEL _____

REFERENCE NO. 15-A

SHEET 7 OF 17

NOTES CANTERBURY

H.C. ROUSOS

DATE 5-23-97

ROUTE S.R. #576

R.C. BARNHISEL III

WEATHER SUNNY

COUNTY WILLIAMS

TEMP. +70°

TOWNSHIP SUPERIOR

SECTION 26

T 7 N R 2 E

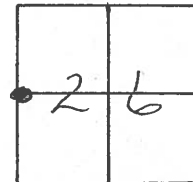
TYPE MONUMENT PK/WASHER

ON SURFACE - ~~BELOW~~ YES

LEFT- & PAV'T. - ~~RIGHT~~ 0.8'

8.7 TO LT EDGE PAVEMENT

S.L.M. 398+79



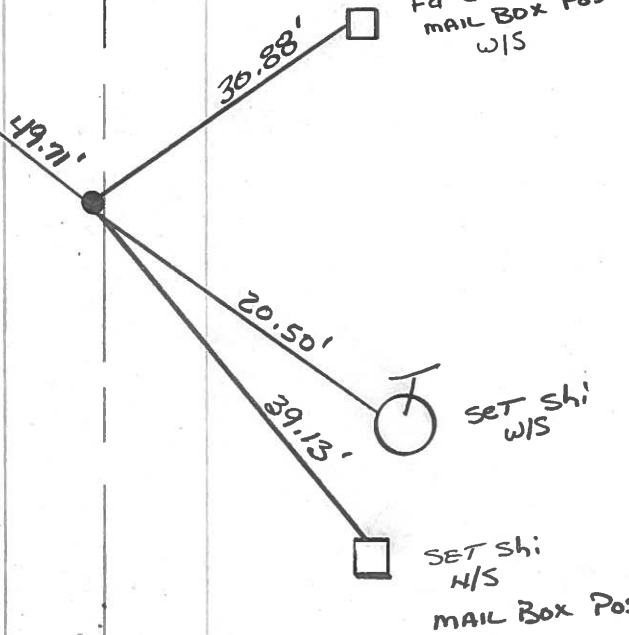
RESET PK/WASHER
 8-20-97
 MRC

SET PK.>NNL
 7-28-88
 Stone



576

& Pavd S.R.



SET Shi
W/S
MAIL BOX POST

O.D.O.T. DISTRICT 2 SURVEY OFFICE

PERSONNEL

REFERENCE NO. 15-A

SHEET 8 OF 19

NOTES J. Householder

H.C. D. Curtis

DATE Sept. 29, 1986

ROUTE S.R. 576

R.C. _____

WEATHER Warm

COUNTY Williams

TEMP. ± 82°

TOWNSHIP Superior

SECTION 26

T. _____ R. _____

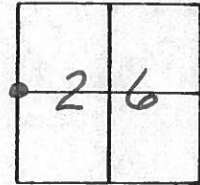
TYPE MONUMENT P.K. Nail/Washer

ON SURFACE - BELOW Surface

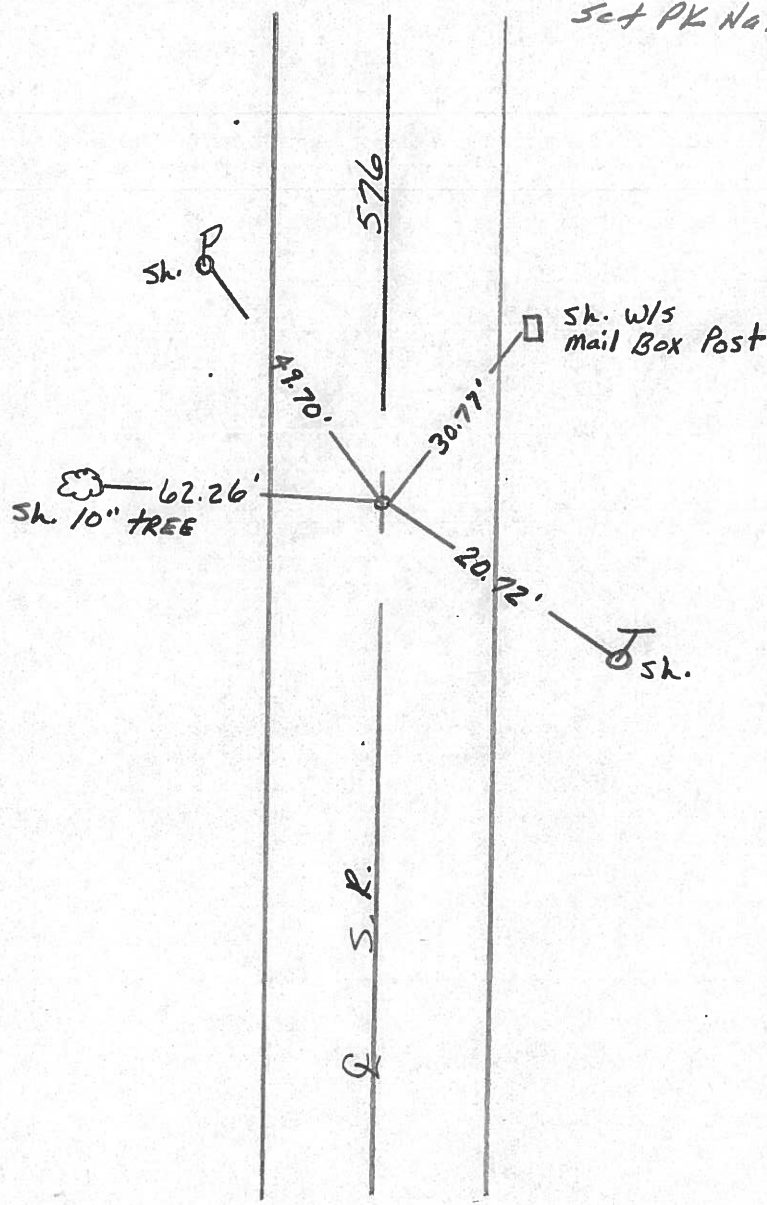
LEFT - & PAV'T. - RIGHT .5' Left

TO _____ EDGE PAVEMENT

S.L.M. 398 + 39



Set PK Nail 7/28/88 IRS



County Williams S.R. 576

Date 1-20-83

Township SUPERIOR

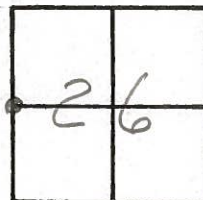
Weather P. Cloudy

Section 26

Temp. +20°

T1N, R2E

Personnel HOFFMAN



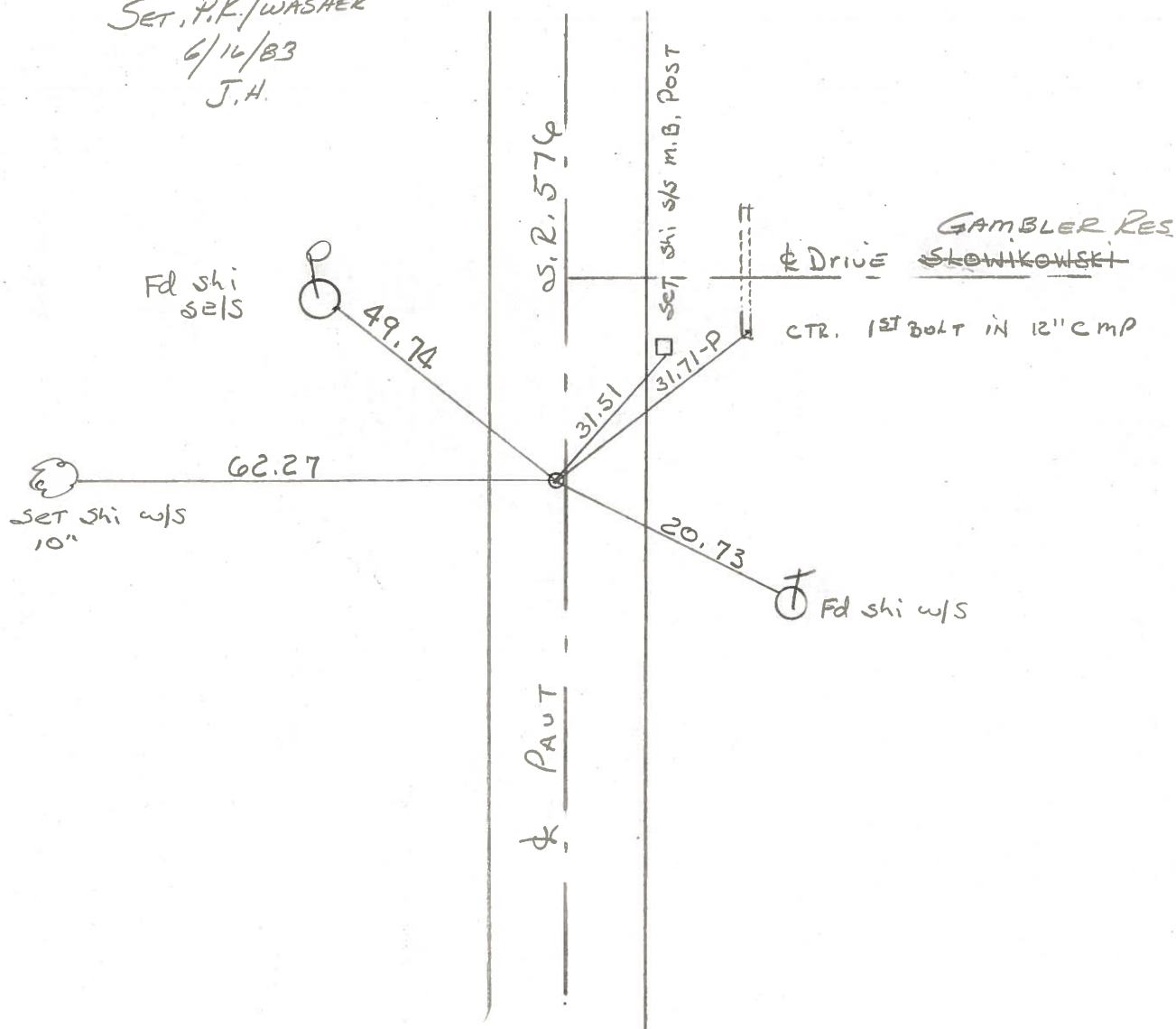
#15-A

CREW

Fd 3/4" I. PIPE @ SURFACE
0.5' AT. of PAUT
8.8' TO W.E.P.
9.3' TO E.E.P.

S.L.M. 398+43

SET, P.K./WASHER
6/16/83
J.H.



County Williams S.R. 576

Date 19 Aug. 80

Township Superior

Weather Foggy

Section _____

Temp. 65°

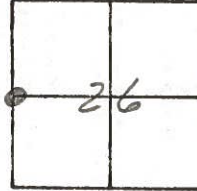
T_N, R_E

Personnel I. Stone

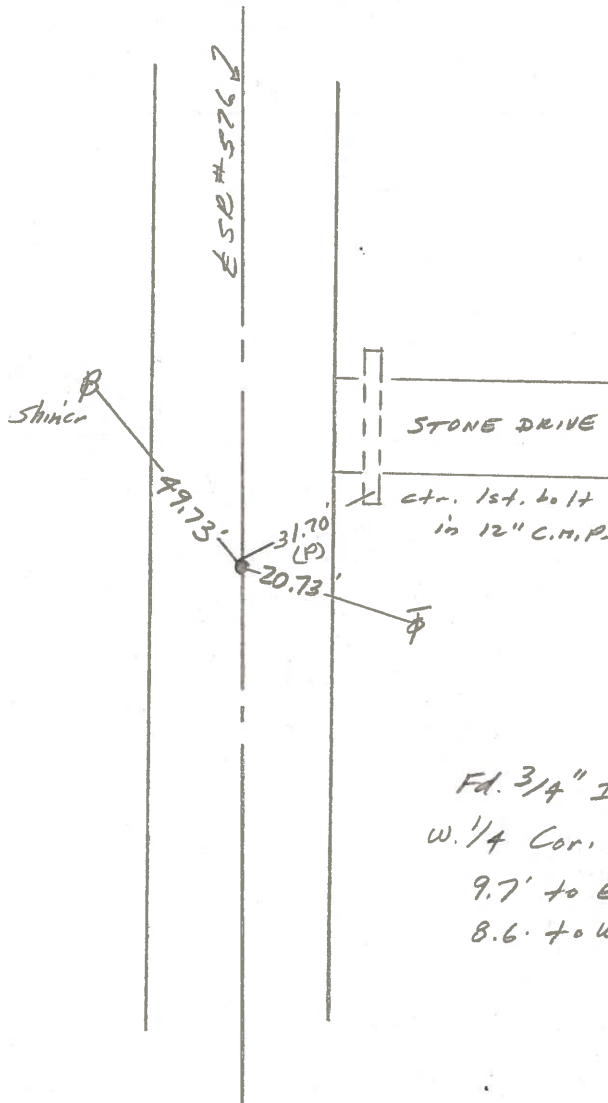
R. Michaelok

P. Neuse

D. Curtis



REF. No. 15-A



Fd. 3/4" I. Pipe To Surface
w. 1/4 Cor. Sec. 26
9.7' to E. edge pt.
8.6' to W. edge pt.