

O.D.O.T. DISTRICT 2 SURVEY OFFICE (USE ONLY)

PERSONNEL

REFERENCE NO. 16

SHEET 20 OF 29

NOTES NIESE DATE 3-31-21
H.C. AUBLE WEATHER WINDY
R.C. NIESE TEMP. 70° F

ROUTE SR 576
COUNTY WILLIAMS
TOWNSHIP SUPERIOR
SECTION 26
T 7 N R 2 E

DWG BY AUBLE PID PAVETRAIN

TYPE MONUMENT MAG/WASHER

ON SURFACE - ~~BELOW~~ ON

OFFSET ☉ PAVEMENT ON LT : RT

9.1' TO LT EDGE PAVEMENT

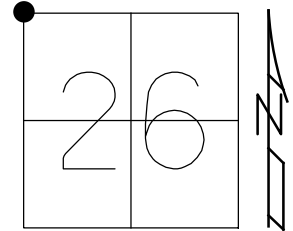
STATION: 423+66.99

HORZ.DATUM: NAD83 2011

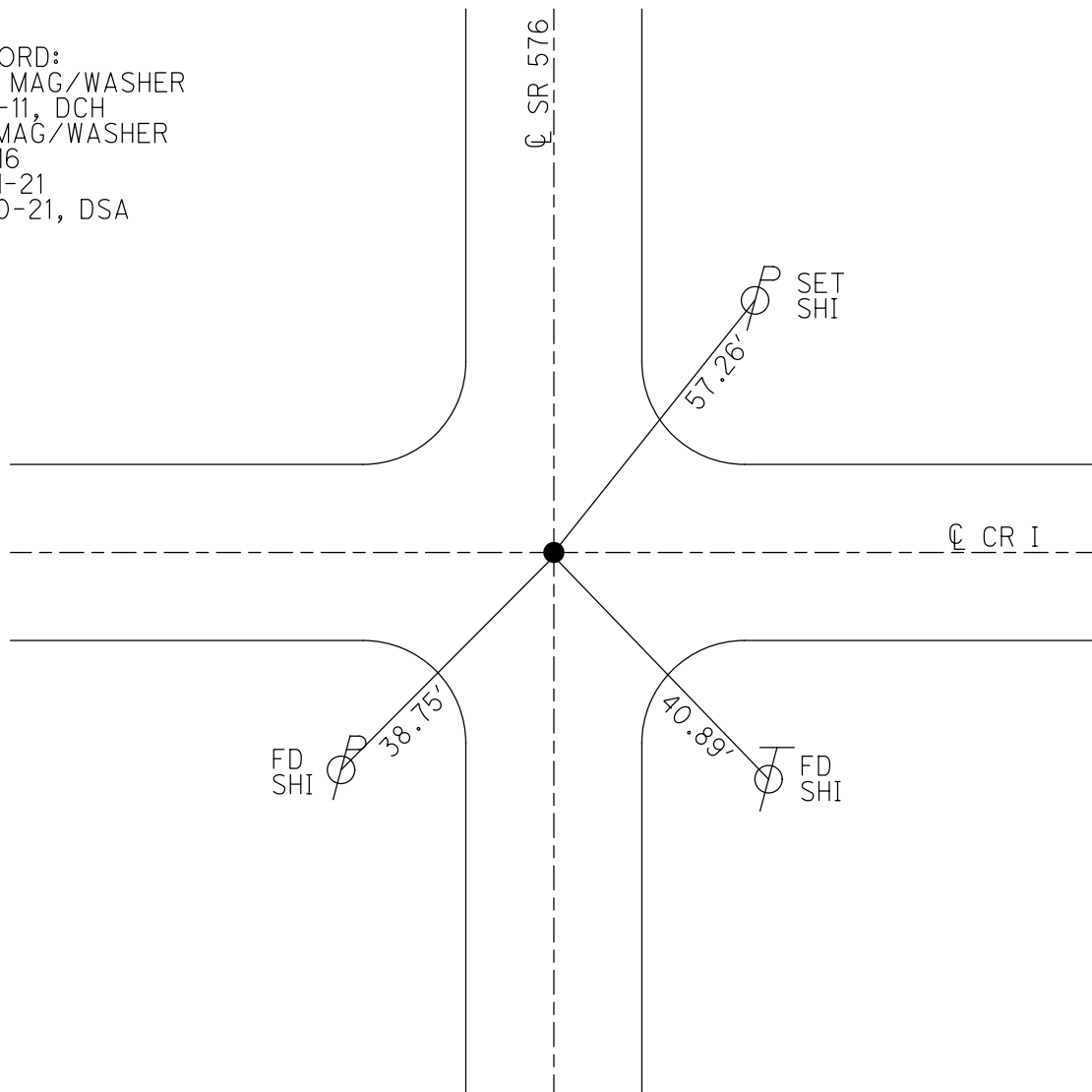
GEOID: NAVD88 2018

GRID: NORTHING: 690552.446

EASTING: 1390123.221



RECORD:
SET MAG/WASHER
8-11-11, DCH
FD MAG/WASHER
REF16
3-31-21
9-20-21, DSA



O.D.O.T. DISTRICT 2 SURVEY OFFICE USE ONLY

PERSONNEL _____

REFERENCE NO. 16

SHEET 18 OF 27

NOTES HOMAN

DATE 6-16-11

ROUTE 576

H.C. ROUSOS

WEATHER CLOUDY

COUNTY WILLIAMS

R.C. HOMAN

TEMP. 70°

TOWNSHIP SUPERIOR

SECTION 26

T 7 N R 2 E

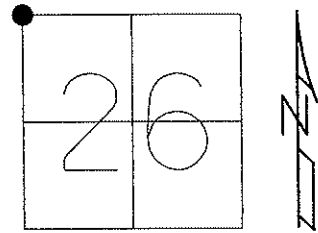
TYPE MONUMENT IRON PIPE

~~ON SURFACE~~ - BELOW 6"

~~LEFT -~~ Q PAV'T - ~~RIGHT~~ ON

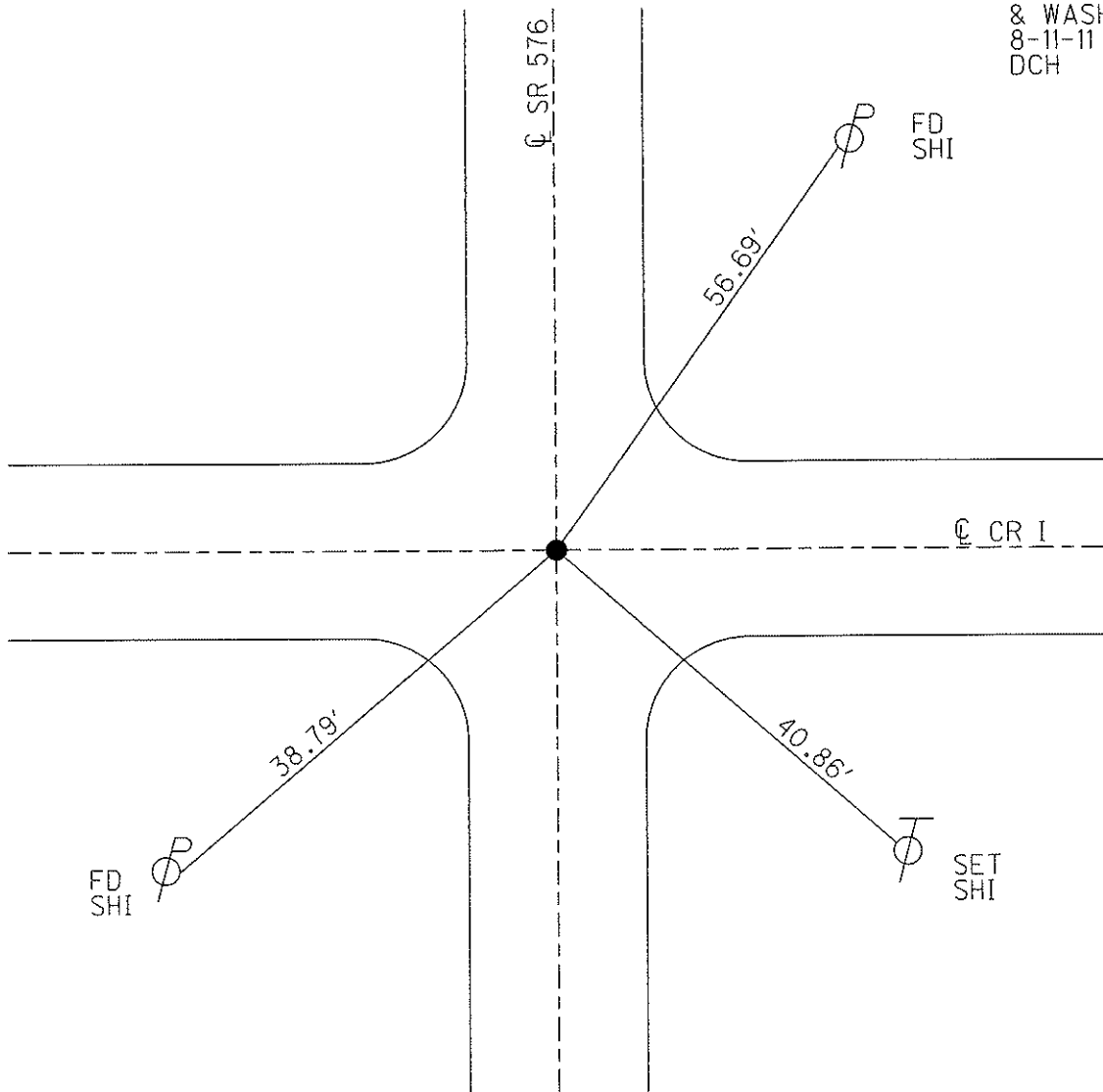
9.1 TO LT. EDGE PAVEMENT

S.L.M. 423+67



Grid: Northing: 690552.478 Easting: 1390123.148

SET MAG NAIL
& WASHER
8-11-11
DCH



O.D.O.T. DISTRICT 2 SURVEY OFFICE

PERSONNEL

REFERENCE NO. 16

SHEET 8 OF 17

NOTES CANTERBURY

H.C. ROUSOS

DATE 5-23-97

ROUTE S.R. #576

R.C. BARNHISEL

WEATHER Sunny

COUNTY WILLIAMS

TEMP. +70

TOWNSHIP SUPERIOR

SECTION 26

T 7 N R 2 E

TYPE MONUMENT PK/WASHER

ON SURFACE - ~~BELOW~~ yes

LEFT- & PAW'T. - ~~RIGHT~~ 0.2'

9.1 TO LT EDGE PAVEMENT

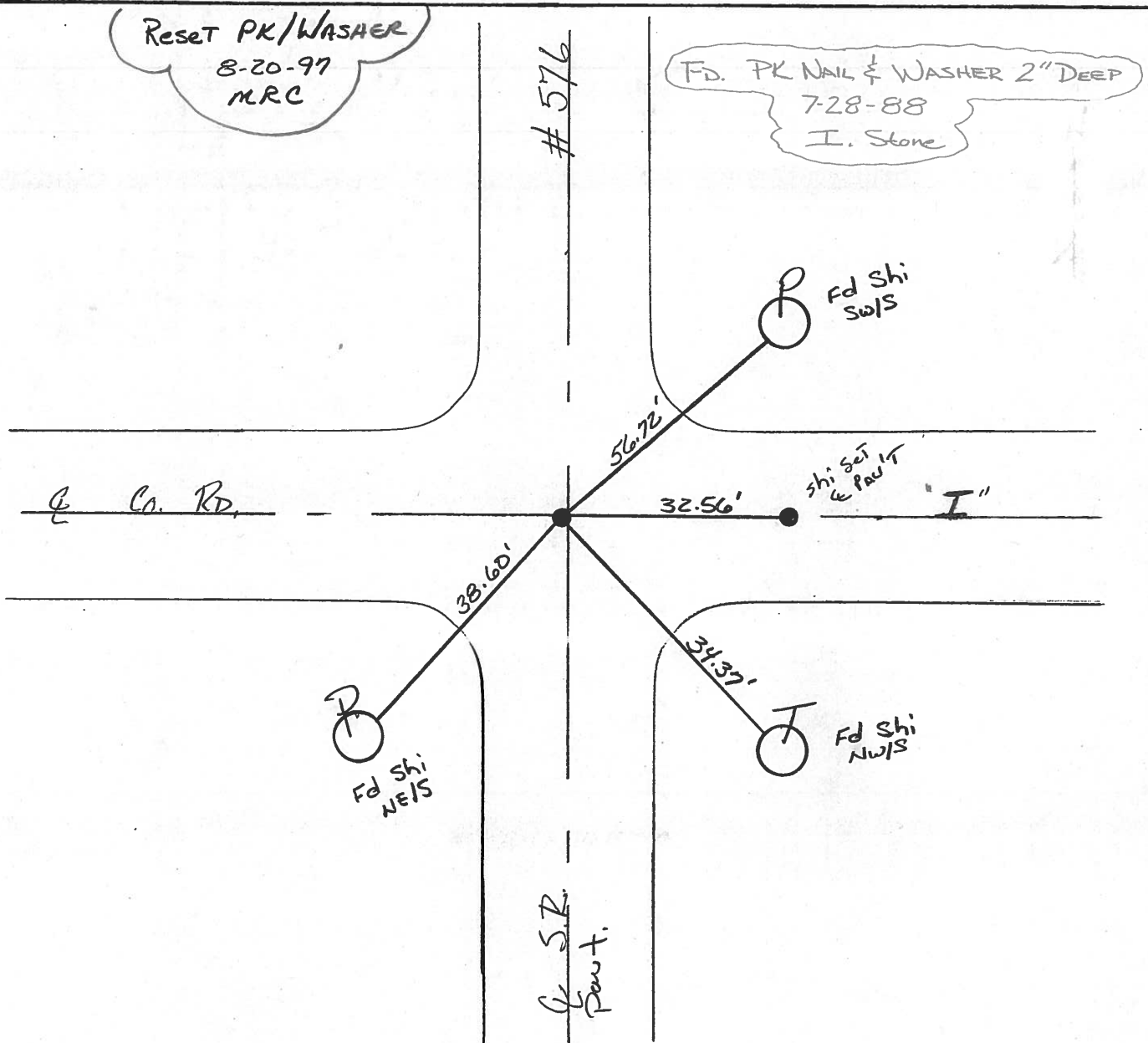
S.L.M. 425+21

22	23
27	26



Reset PK/WASHER
8-20-97
MRC

FD. PK NAIL & WASHER 2" DEEP
7-28-88
I. Stone



O.D.O.T. DISTRICT 2 SURVEY OFFICE

PERSONNEL _____

REFERENCE NO. 16

SHEET 9 OF 19

NOTES J. Householder

H.C. D. Curtis

DATE Sept. 29, 1986

ROUTE S.R. 576

R.C. _____

WEATHER Warm

COUNTY Williams

TEMP. ± 82°

TOWNSHIP Superior

SECTION 26

T _____ R _____

TYPE MONUMENT P.K. Nail/Washer

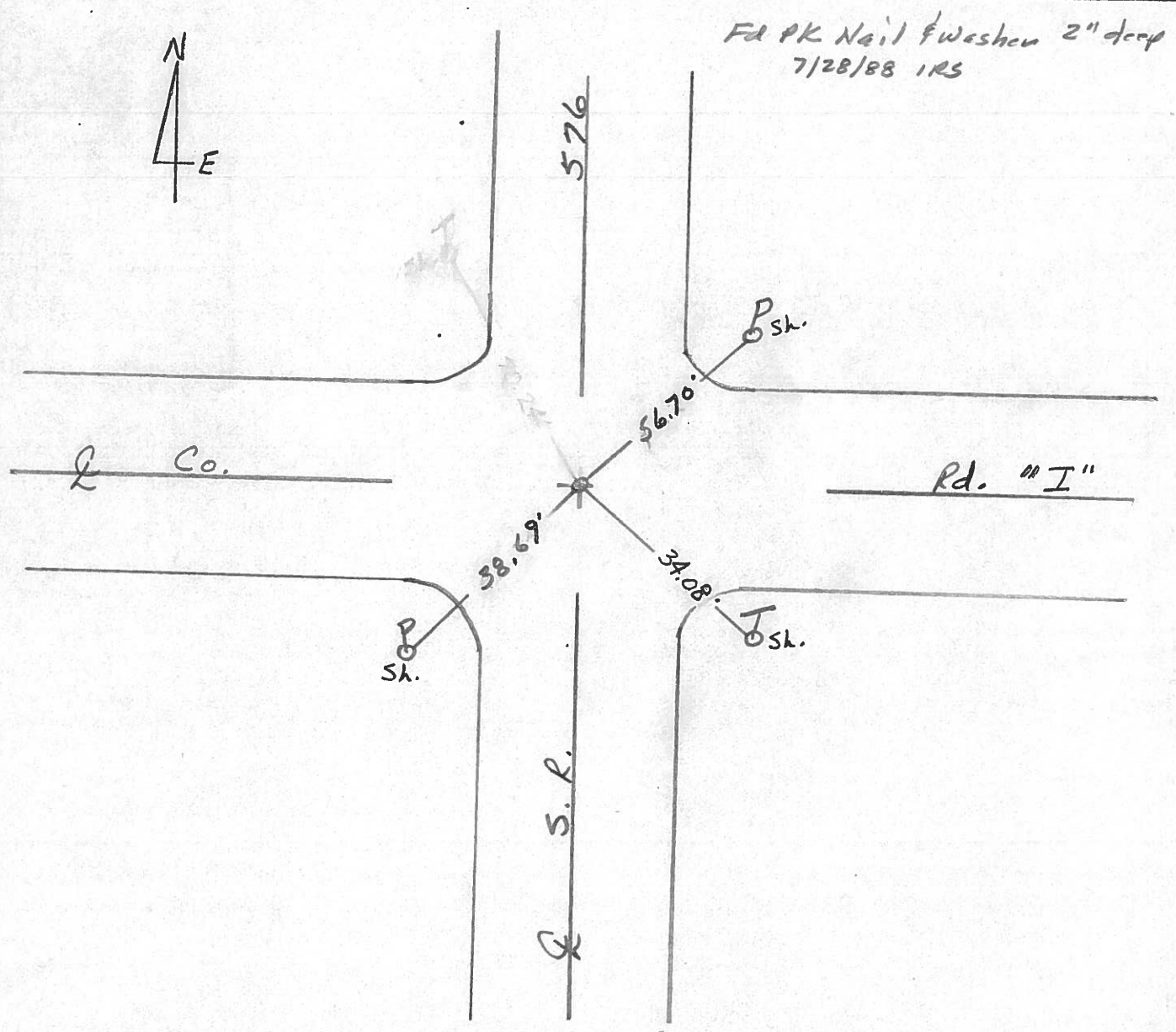
ON SURFACE - BELOW Surface

LEFT- & PAV'T. - RIGHT 1' Left

TO _____ EDGE PAVEMENT

S.L.M. 424 + 81

22	23
27	26



County Williams S.R.

Date 7-26-84

Township SPRINGFIELD

Weather CLOUDY

Section 23

Temp. 75°

T7N, R2E

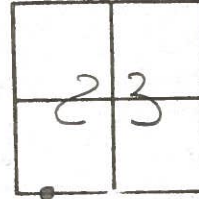
Personnel HOFFMAN 

LOEHRCE

HOUSEHOLDER R.C.

BARNHISEL H.C.

ENSIGN

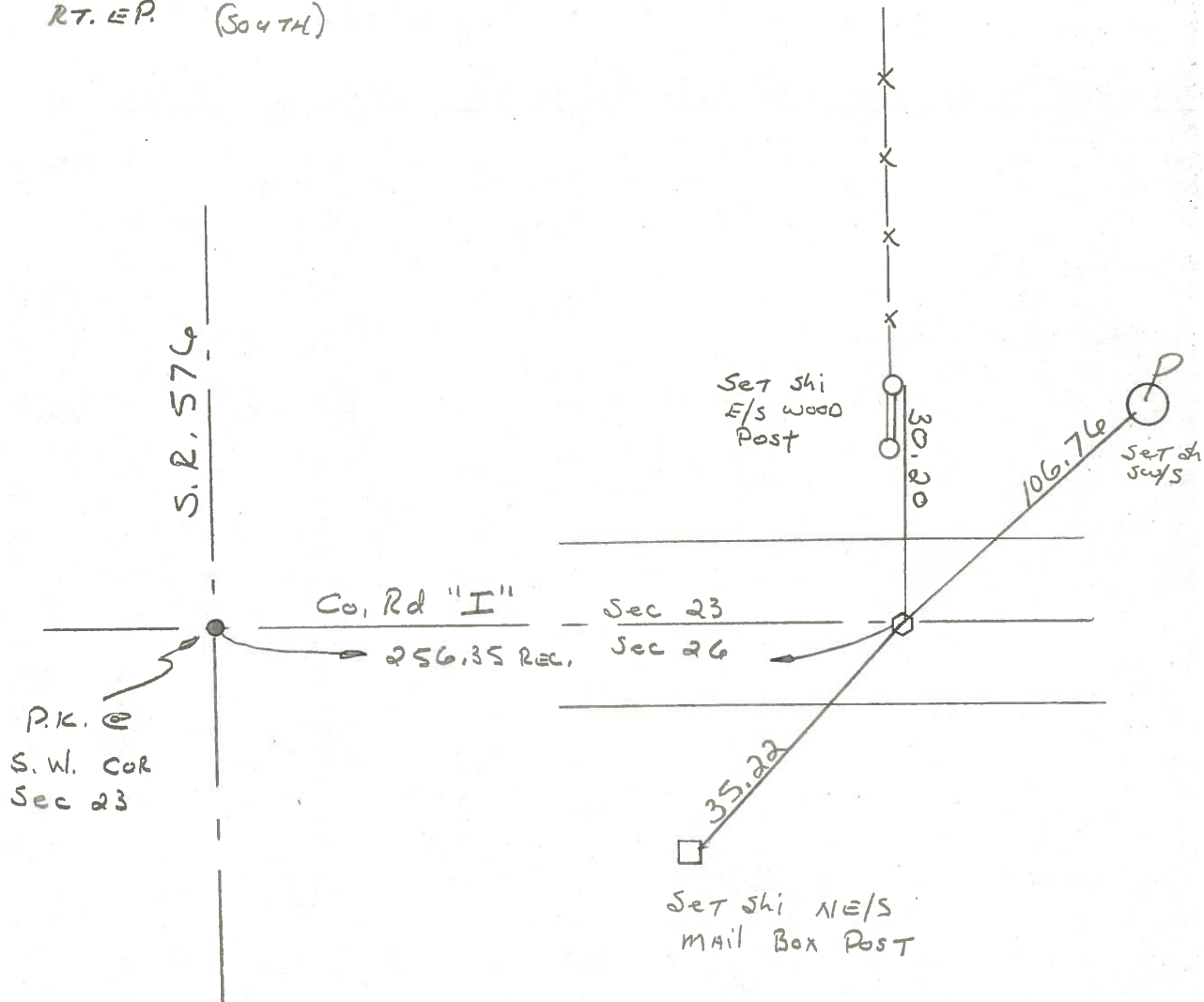


Fd R.R. spk 1" Below surface

ADD

8.5' TO LT. EP. (NORTH)

10.0' TO RT. EP. (SOUTH)



County Williams S.R.

Date 7-26-84

Township SPRINGFIELD

Weather Cloudy

Section 22

Temp. 75°

T7N, R2E

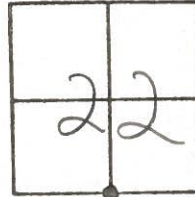
Personnel HOFFMAN III

LOHRE

HOUSEHOLDER R.C.

BARNHISEL H.C.

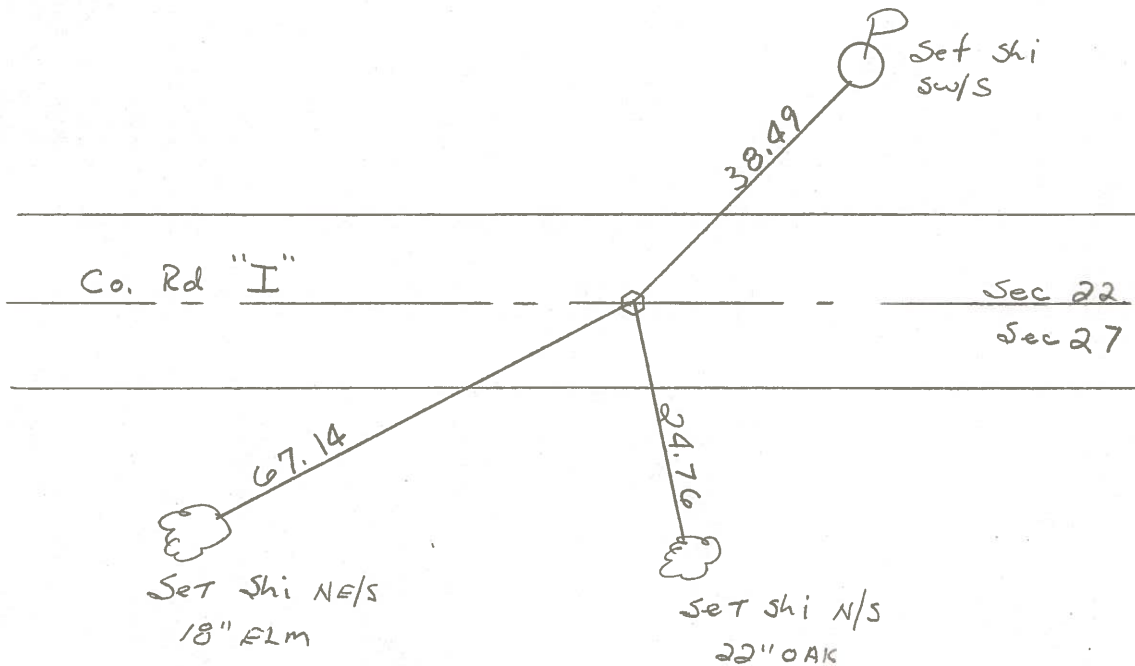
ENSIGN



Fd R.R. SPK 1 1/2" BELOW SURFACE

9.6' TO LT. EP (NORTH)

8.7' TO RT. EP (SOUTH)



Q.D.O.T. DISTRICT 2 SURVEY OFFICE

SHEET _____ OF _____

County Williams S.R. 576

Date 1-20-83

Township SUPERIOR

Weather P. CLEAR

Section 26

Temp. +20°

T7N, R2E

Personnel HOFFMAN

22	23
27	26



16

 &

 CREW

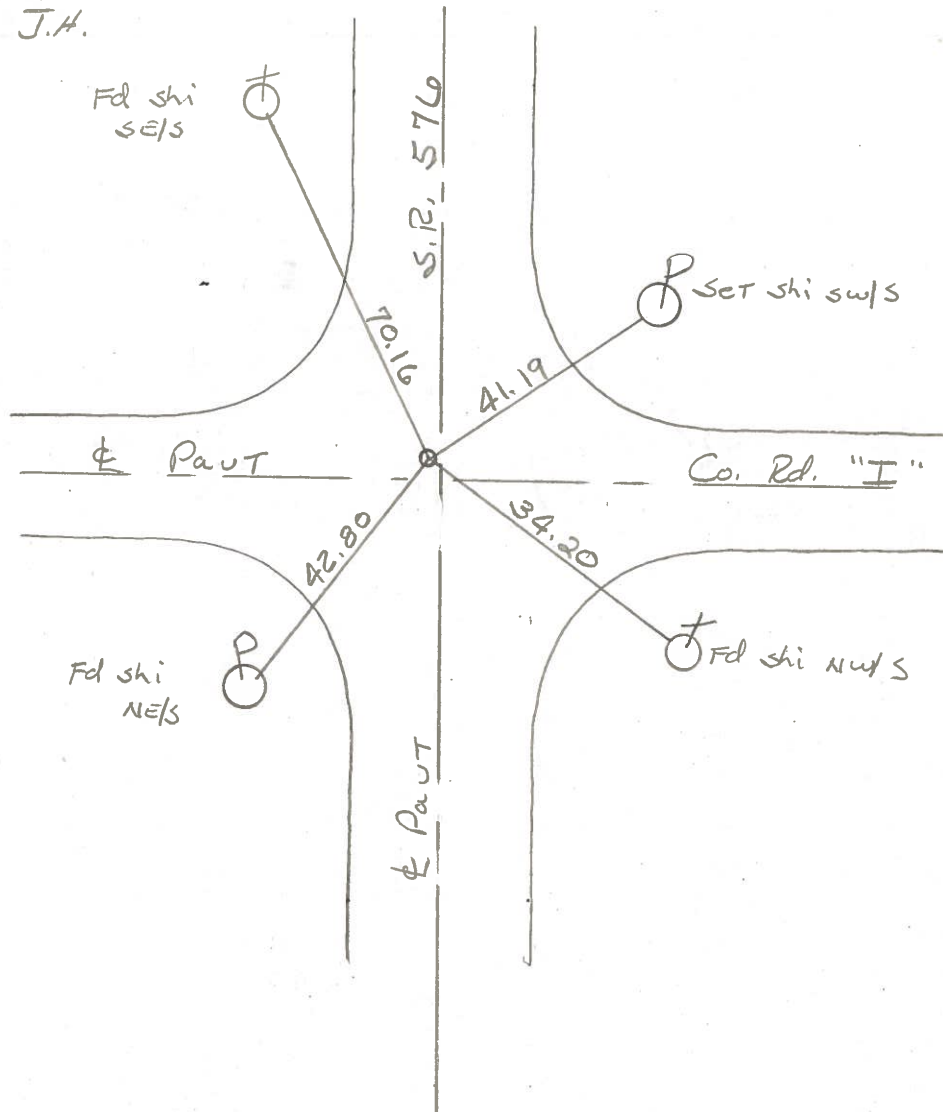
Fd 3/4" I.P.P.E @ SURFACE

SLM 424+85

1.0' LT. of & PAUT SR576

2.7' N. of & PAUT ROAD "I" EAST

SET P.I.K./WASHER
 6/16/83
 J.H.



County Williams S.R. 576

Date 19 Aug. 80

Township Superior

Weather Foggy

Section 22-23-26-27

Temp. 65°

T_N, R_E

Personnel J. Stone

R. Michalak

P. Neuser

D. Curtis

22	23
27	26



REF. No. 16

