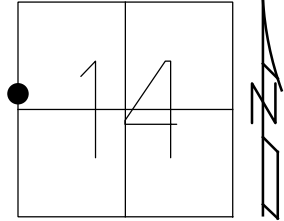


O.D.O.T. DISTRICT 2 SURVEY OFFICE (USE ONLY)

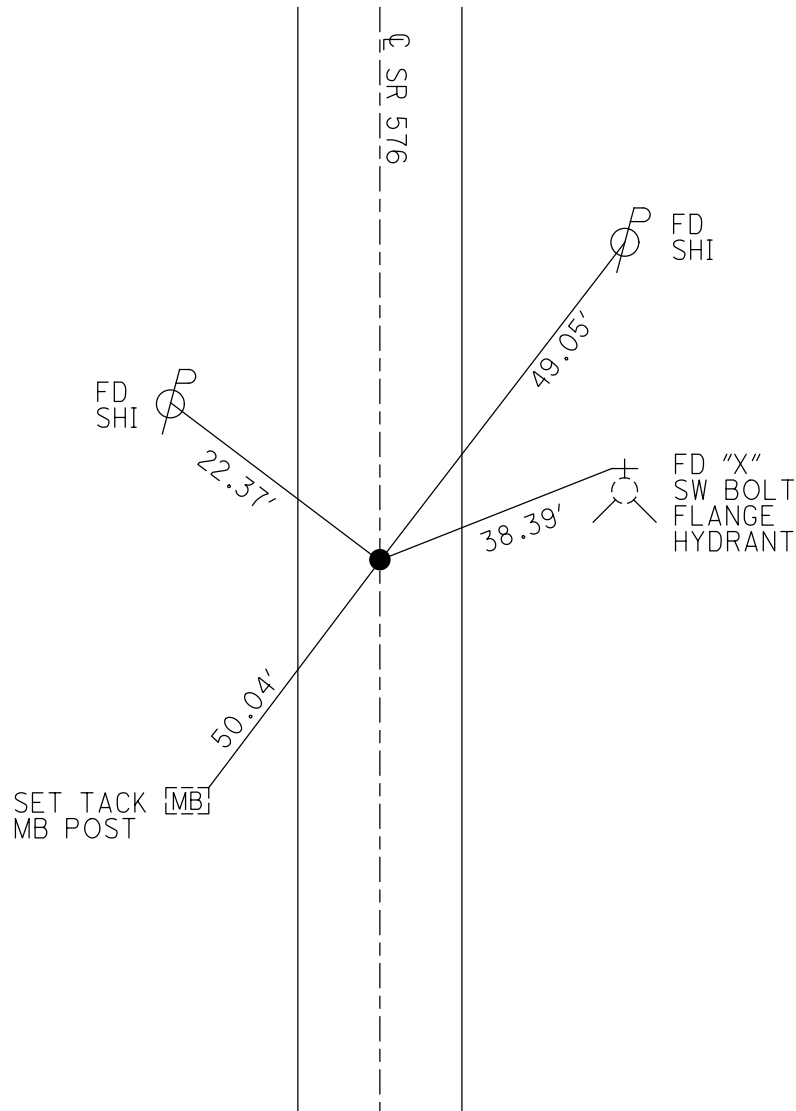
PERSONNEL _____ REFERENCE NO. 18 A SHEET 24 OF 29
 NOTES NIESE DATE 3-31-21 ROUTE SR 576
 H.C. AUBLE WEATHER WINDY COUNTY WILLIAMS
 R.C. NIESE TEMP. 70° F TOWNSHIP SUPERIOR
 SECTION 14
 DWG BY AUBLE PID PAVETRAN T 7 N R 2 E

TYPE MONUMENT MAG/WASHER
 ON SURFACE - ~~BELOW~~ ON
 OFFSET \varnothing PAVEMENT ON LT : RT
9.9' TO RT EDGE PAVEMENT
 STATION: 509+88.88



HORZ.DATUM: NAD83 2011 GEOID: NAVD88 2018
 GRID: NORTHING: 699172.613 EASTING: 1390299.676

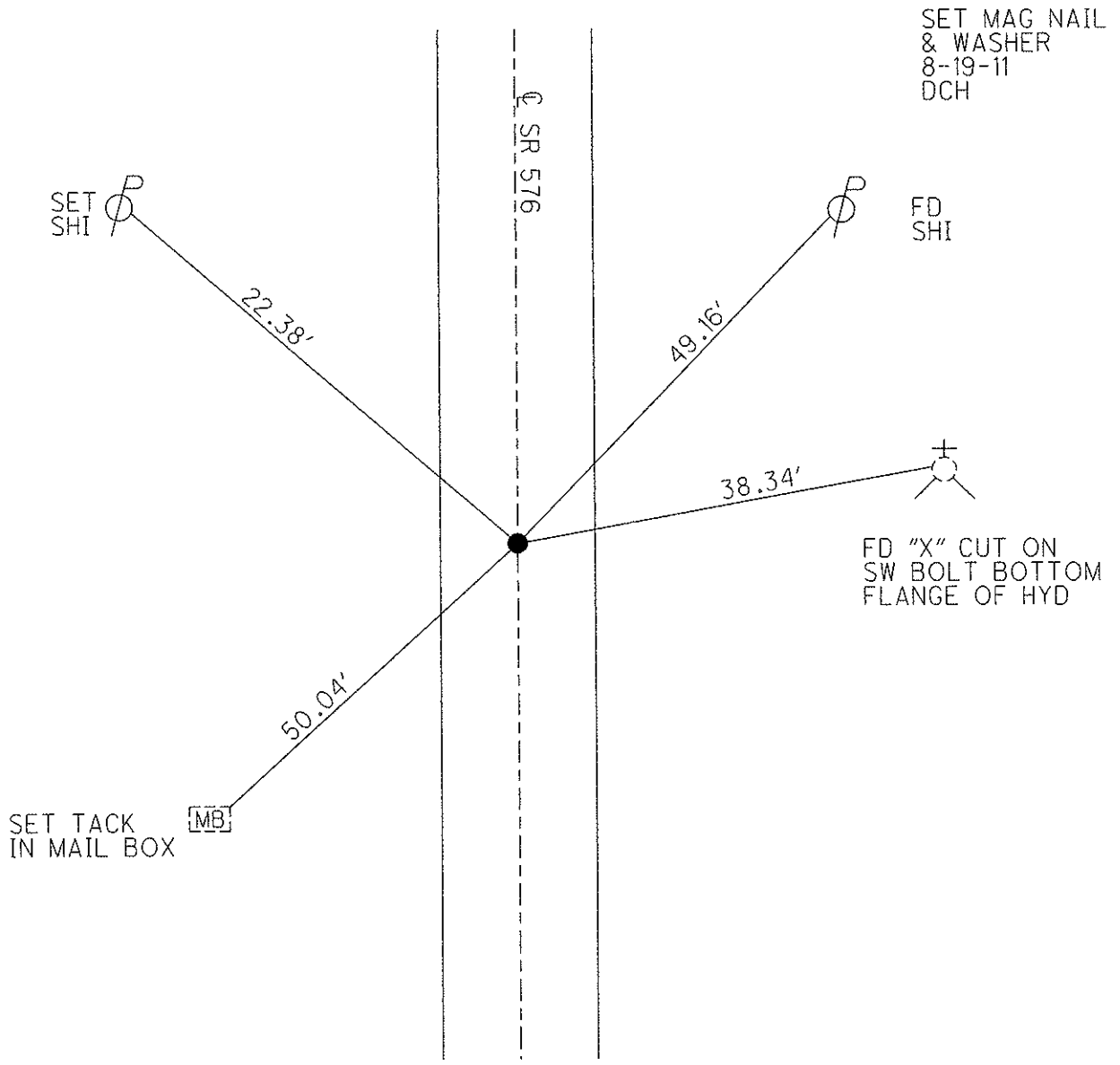
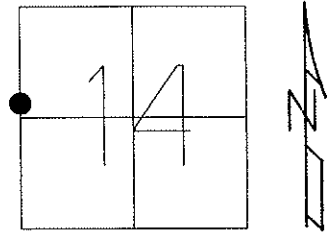
RECORD:
 SET MAG/WASHER
 8-19-11, DCH
 FD MAG/WASHER
 REFA18
 3-31-21
 9-20-21, DSA



O.D.O.T. DISTRICT 2 SURVEY OFFICE USE ONLY

PERSONNEL	REFERENCE NO. <u>18-A</u>	SHEET <u>22</u> OF <u>27</u>
NOTES <u>ROUSOS</u>	DATE <u>6-16-11</u>	ROUTE <u>S.R. 576</u>
H.C. <u>ROUSOS</u>	WEATHER <u>CLOUDY</u>	COUNTY <u>WILLIAMS</u>
R.C. <u>HOMAN</u>	TEMP. <u>70°</u>	TOWNSHIP <u>SUPERIOR</u>
		SECTION <u>14</u>
		T <u>7</u> N R <u>2</u> E

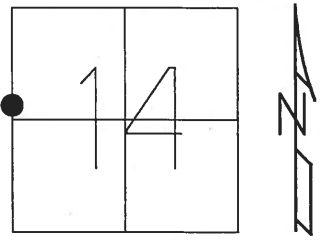
TYPE MONUMENT PK NAIL
 ON SURFACE - ~~BELOW~~ ON
~~LEFT - C PAV'T - RIGHT~~ ON
9.9 TO RT EDGE PAVEMENT
 S.L.M. 509+89
 Grid: Northing: 699172.553 Easting: 1390299.646



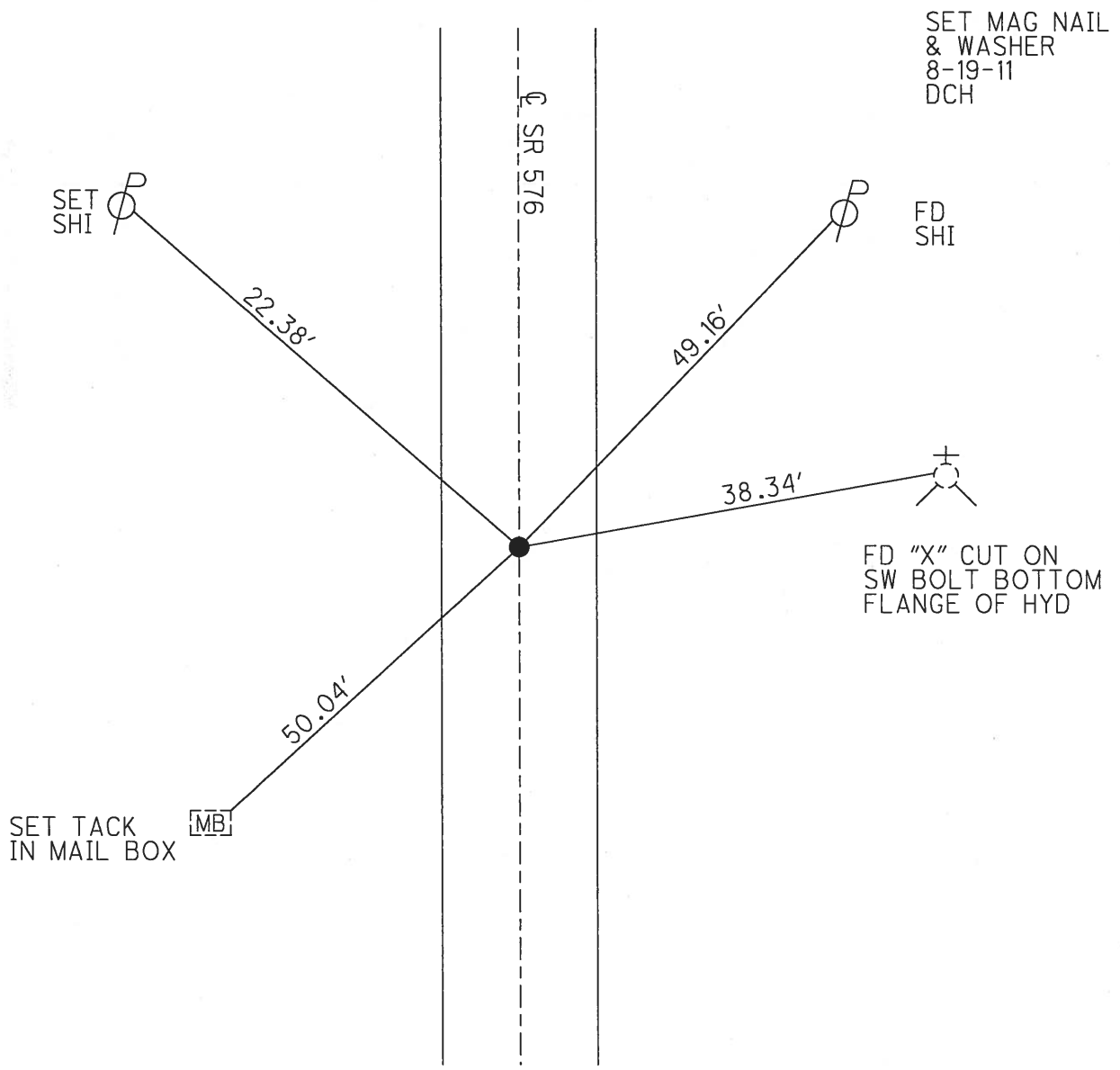
O.D.O.T. DISTRICT 2 SURVEY OFFICE USE ONLY

PERSONNEL	REFERENCE NO. <u>18-A</u>	SHEET <u>22</u> OF <u>27</u>
NOTES <u>ROUSOS</u>	DATE <u>6-16-11</u>	ROUTE <u>S.R. 576</u>
H.C. <u>ROUSOS</u>	WEATHER <u>CLOUDY</u>	COUNTY <u>WILLIAMS</u>
R.C. <u>HOMAN</u>	TEMP. <u>70°</u>	TOWNSHIP <u>SUPERIOR</u>
		SECTION <u>14</u>
		T <u>7</u> N R <u>2</u> E

TYPE MONUMENT PK NAIL
 ON SURFACE - ~~BELOW~~ ON
~~LEFT - C PAV'T - RIGHT~~ ON
9.9 TO RT EDGE PAVEMENT
 S.L.M. 509+89



Grid: Northing: 699172.553 Easting: 1390299.646



O.D.O.T. DISTRICT 2 SURVEY OFFICE

PERSONNEL

REFERENCE NO. 18-A

SHEET 12 OF 17

NOTES CANTERBURY

H.C. ROUSOS

DATE 5-27-97

ROUTE S.R. #576

R.C. BARNHISEL II

WEATHER SUNNY-WINDY

COUNTY WILLIAMS

TEMP. +65°

TOWNSHIP SUPERIOR

SECTION 14

T 7 N R 2 E

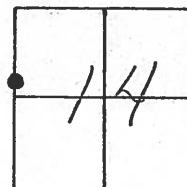
TYPE MONUMENT PK NAIL

ON SURFACE - ~~BELOW~~ yes

~~LEFT - & PAV'T. - RIGHT~~ yes

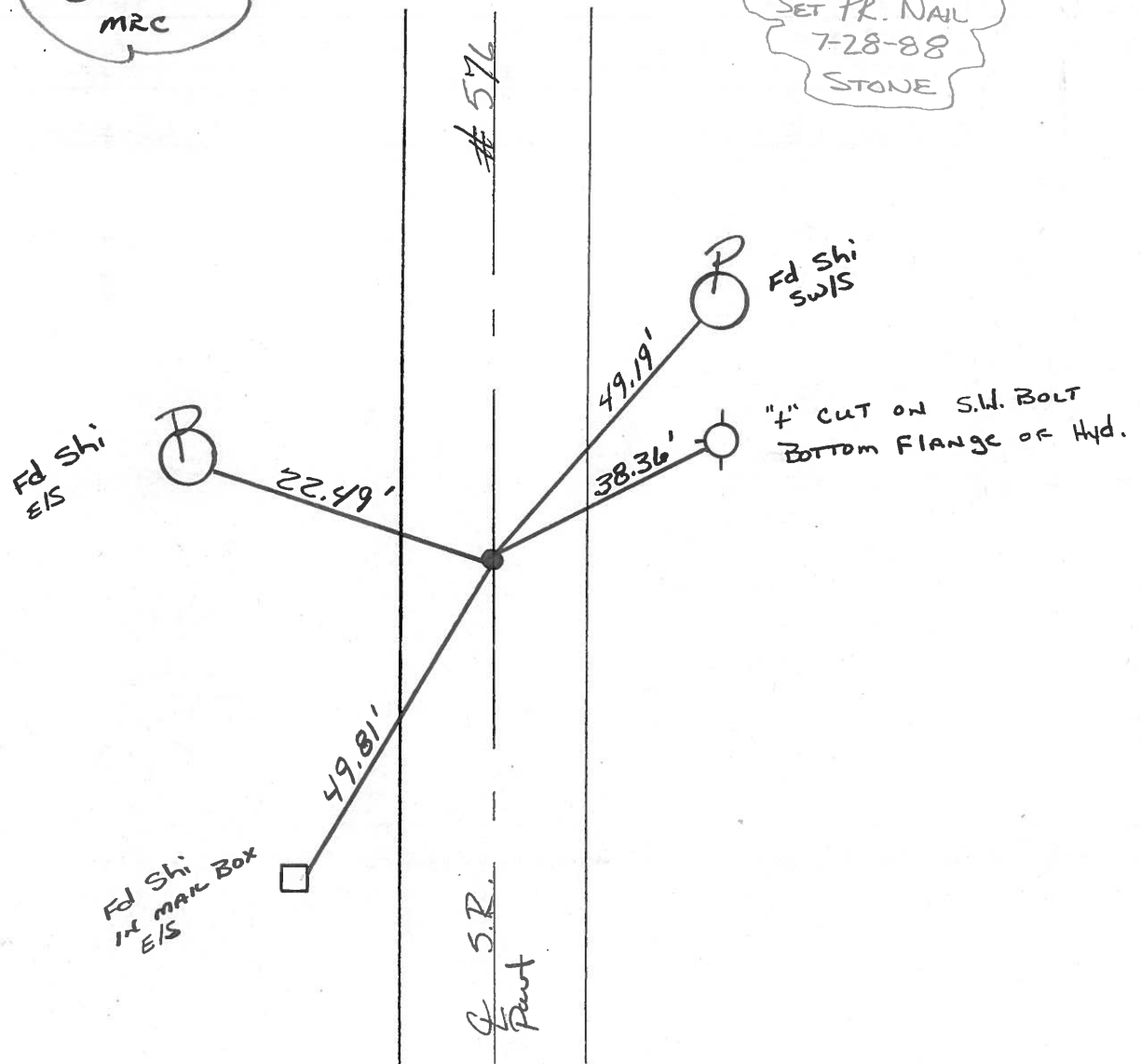
9.9' TO RT EDGE PAVEMENT

S.L.M. 511 + 44



RESET PK/WASHER
8-20-97
MRC

SET PK. NAIL
7-28-88
STONE



O.D.O.T. DISTRICT 2 SURVEY OFFICE

PERSONNEL

REFERENCE NO. 18-19

SHEET 15 OF 19

NOTES 1. Stone

H.C. D. Curtis

R.C. J. Hausholder

DATE 16 Oct. 86

WEATHER Cloudy

TEMP. 42°

ROUTE #576

COUNTY Williams

TOWNSHIP Superior

SECTION 14

T ___ R ___

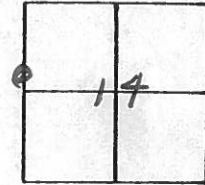
TYPE MONUMENT PK Nail

ON SURFACE - BELOW Surface

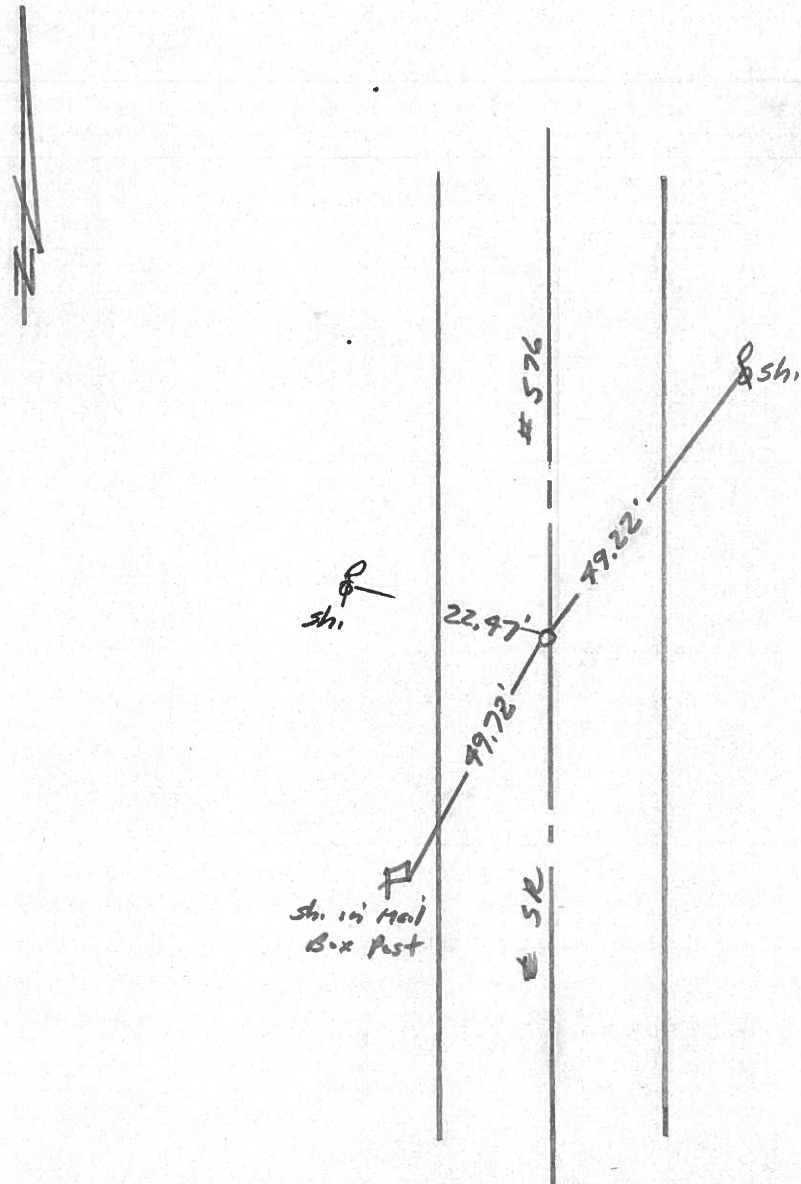
LEFT - & PAV'T. - RIGHT

TO EDGE PAVEMENT

S.L.M. 511+03



Set PK Nail 7/28/88 IRS



County Williams S.R. 576

Date 19 Aug 80

Township Superior

Weather cloudy

Section 14

Temp. 70°

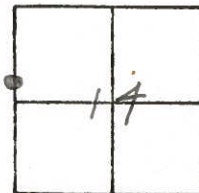
T N, R E

Personnel J. Stone

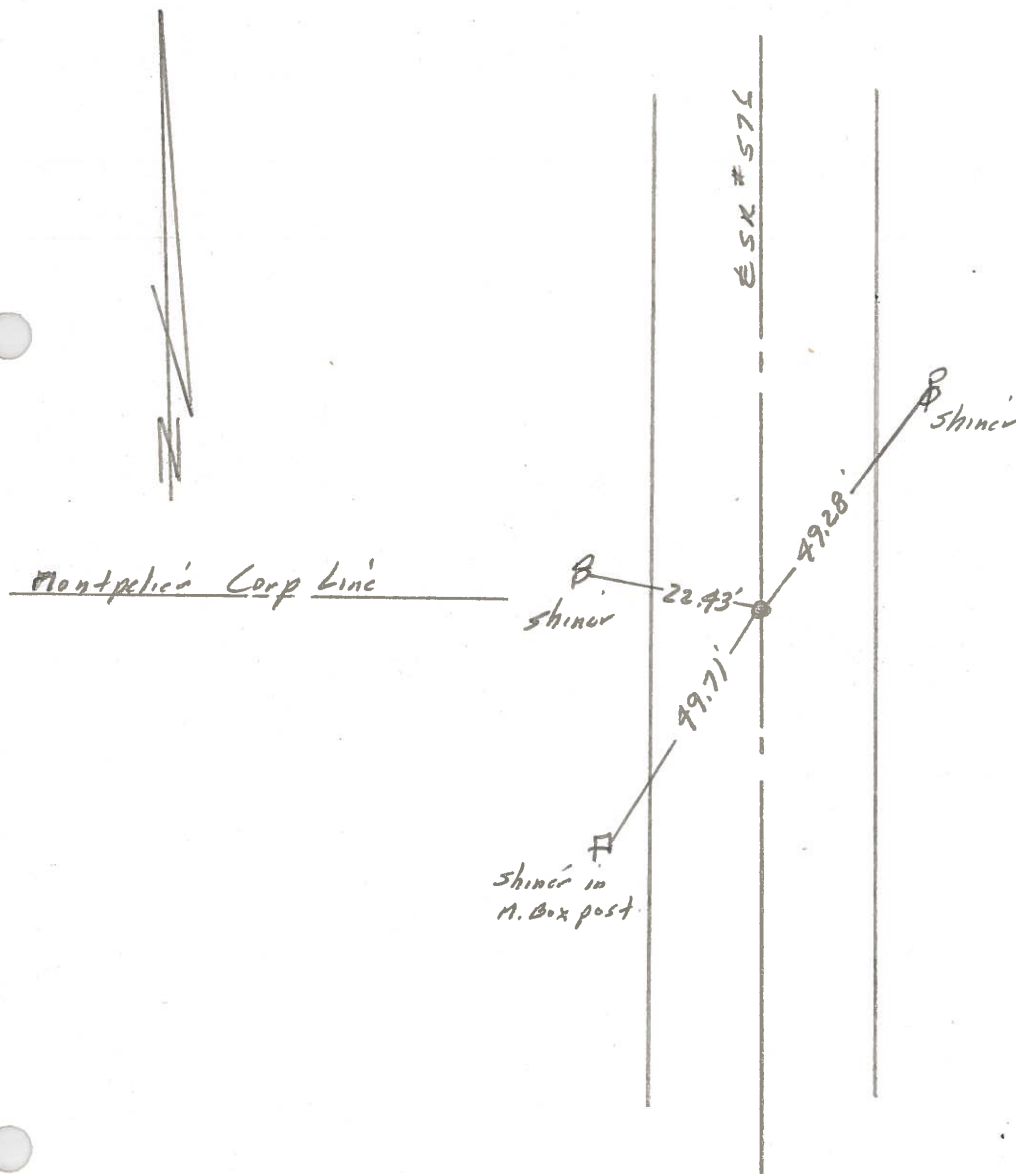
R. Michalak

P. Newser

D. Curtis



REF. NO. 18-A



Ft. RR Spk To Surface
 5. Corp Line
 10.0' to E. edge put,
 9.8' to W. ed ge put,

County WILLIAMS S.R. 576

Date 6-19-79

Township SUPERIOR

Weather CLEAR

Section E 1/4 OF THE N.E. 1/4 SEC. 15 (ASSUMED)

Temp. +80°

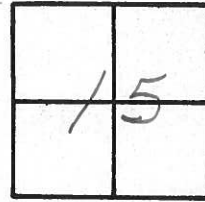
T N, R E

Personnel BURNSIDE

SMITH

KNAPPE

MEAD



18 A

FD. 3/4" IRON PIPE
3" DEEP & IN CTR.
PAVEMENT.

Shi. 21.11

MONTPELIER CORP.

43.17'

23.00'

BOTTOM FLANGE
OF FIRE HYD.

Shi. in
16" WALNUT

+ TOP LIM
OF M.H.

CL BLVD. TO
SUBDIVISION