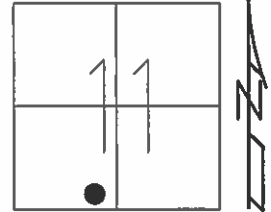


O.D.O.T. DISTRICT 2 SURVEY OFFICE (USE ONLY)

PERSONNEL _____ REFERENCE NO. 20 A SHEET 2 OF 32
 NOTES HOMAN DATE 6-26-12 ROUTE SR 576
 H.C. ROUSOS WEATHER SUNNY COUNTY WILLIAMS
 R.C. HOMAN TEMP. 60° TOWNSHIP SUPERIOR
 _____ SECTION 11
 _____ T 7 N R 2 E

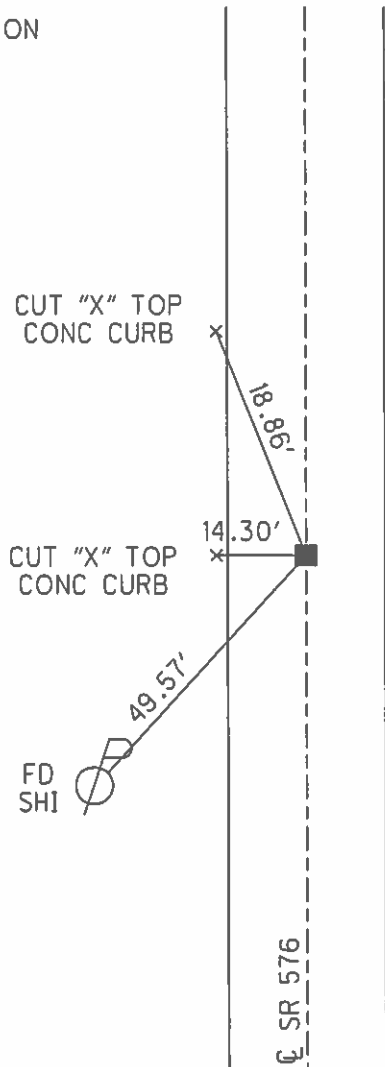
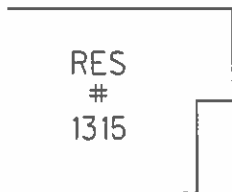
TYPE MONUMENT MONBOX
 ON SURFACE - ~~BELOW~~ ON
~~LEFT~~ - ☉ PAV'T - ~~RIGHT~~ ON
12.0 TO LT EDGE PAVEMENT
 S.L.M. 548+20.47



Grid: Northing: 701416.9955 Easting: 1392018.6585

FD BOX 301' NORTH OF
 MON BOX AT INTERSECTION
 OF SR 576 & BROWN ST.
 6-14-93, LOEHRKE

FD MON BOX
 GPS, REF42
 2/5/13, DCH



☉ SR 576

O.D.O.T. DISTRICT 2 SURVEY OFFICE

PERSONNEL

REFERENCE NO. _____

SHEET 1 OF 15

NOTES LOENRKE

H.C. ROMETO

R.C. CORDES

CANTERBURY

DATE 6-14-93

WEATHER RAIN

TEMP. +72

ROUTE S.R. 576

COUNTY Williams

TOWNSHIP Superior

SECTION 11

T 7 N R 2 W

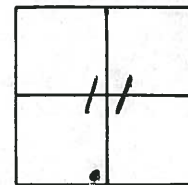
TYPE MONUMENT Mon Box

ON SURFACE - BELOW Yes

LEFT- & PAV'T. - RIGHT Yes

12.0 TO Lt EDGE PAVEMENT

S.L.M. 549 +03



Fd Box 301' North of
Mon Box at INTERSECTION
of S.R. 576 & BROWN ST.

20A

Cut 'x' Top
CONC CURB.

14.3

49.5

shi

S.R. 576

Res
#1315

