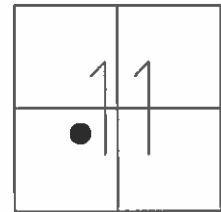


O.D.O.T. DISTRICT 2 SURVEY OFFICE (USE ONLY)

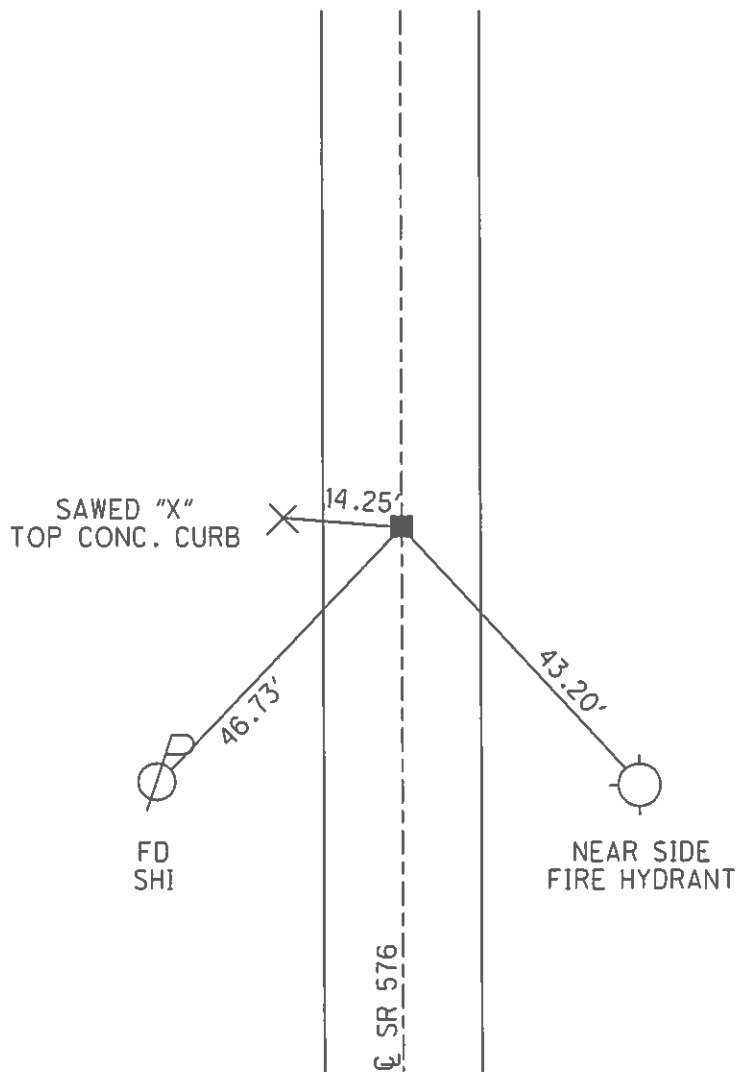
PERSONNEL _____ REFERENCE NO. 23 A SHEET 8 OF 32
 NOTES HOMAN DATE 6-26-12 ROUTE SR 576
 H.C. ROUSOS WEATHER CLEAR COUNTY WILLIAMS
 R.C. HOMAN TEMP. 60° TOWNSHIP SUPERIOR
 _____ SECTION 11
 _____ T 7 N R 2 E

TYPE MONUMENT MONBOX
 ON SURFACE - ~~BELOW~~ ON
~~LEFT~~ - CL PAV'T - ~~RIGHT~~ ON
11.9 TO LT EDGE PAVEMENT
 S.L.M. 561+88.14



Grid: Northing: 702784.4409 Easting: 1392043.1239

FD MON BOX
 GPS, REF48
 6-26-12, DCH



O.D.O.T. DISTRICT 2 SURVEY OFFICE

PERSONNEL

REFERENCE NO. _____

SHEET 7 OF 15

NOTES LOEHRKE

H.C. ROMETO

R.C. CANTERBURY

CORDES

DATE 6-15-93

WEATHER CLEAR

TEMP. +65

ROUTE S.R. 576

COUNTY William

TOWNSHIP Superior

SECTION 11

T 7 N R 2 W

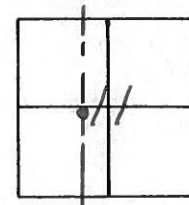
TYPE MONUMENT Mon Box

ON SURFACE - BELOW YS

~~LEFT -~~ PAV'T. - RIGHT YES +71

11.9 TO Lt EDGE PAVEMENT

S.L.M. 562+71



23A

13.9 TO
W. FACE of CURB

46.8



S.R. 576



43.3

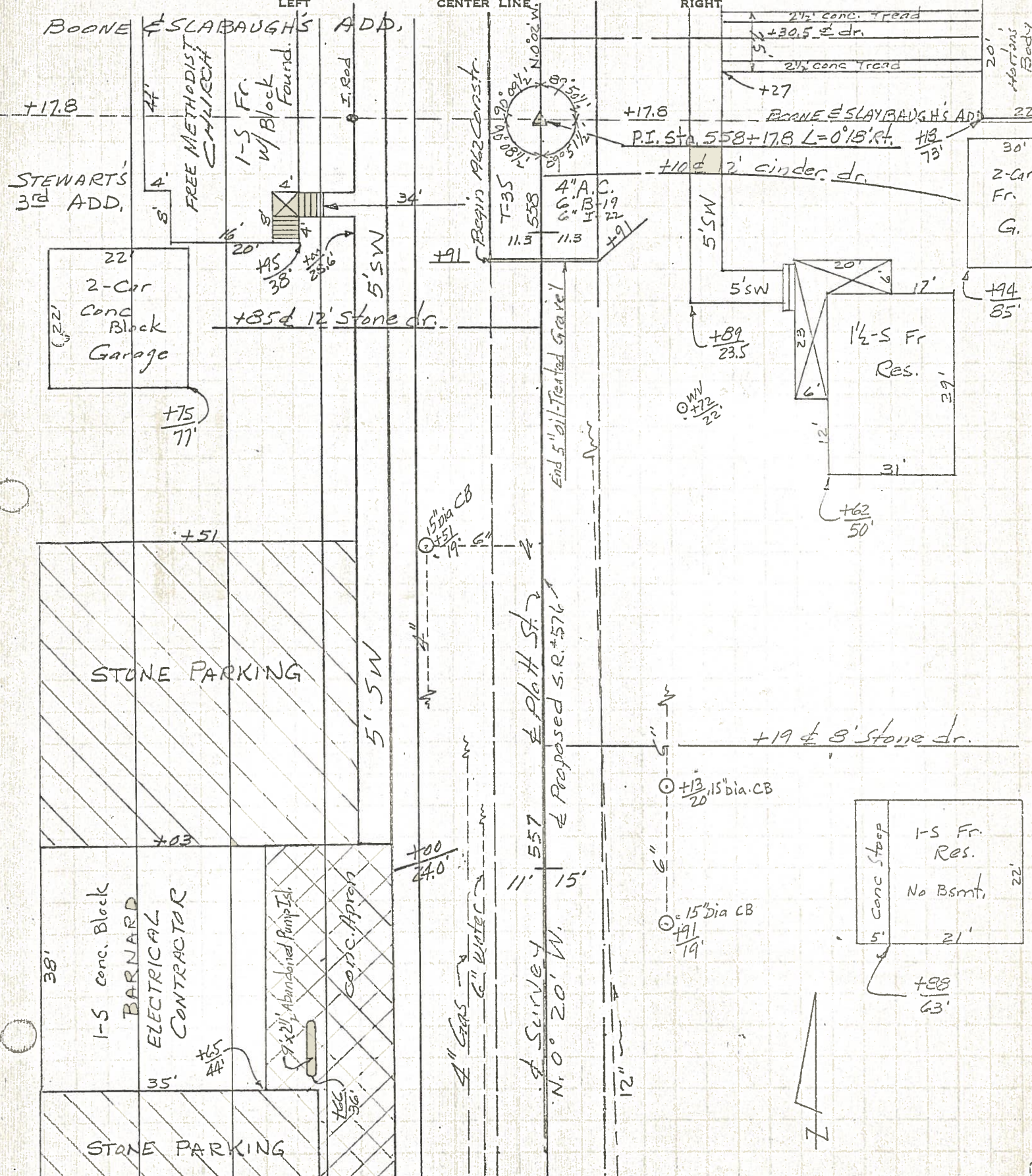
NEAR SIDE FIRE
HYDRANT



PERSONNEL	TITLE	PERSONNEL	TITLE
Red Beach			
Armbruster			
Knapp			
Mohler			

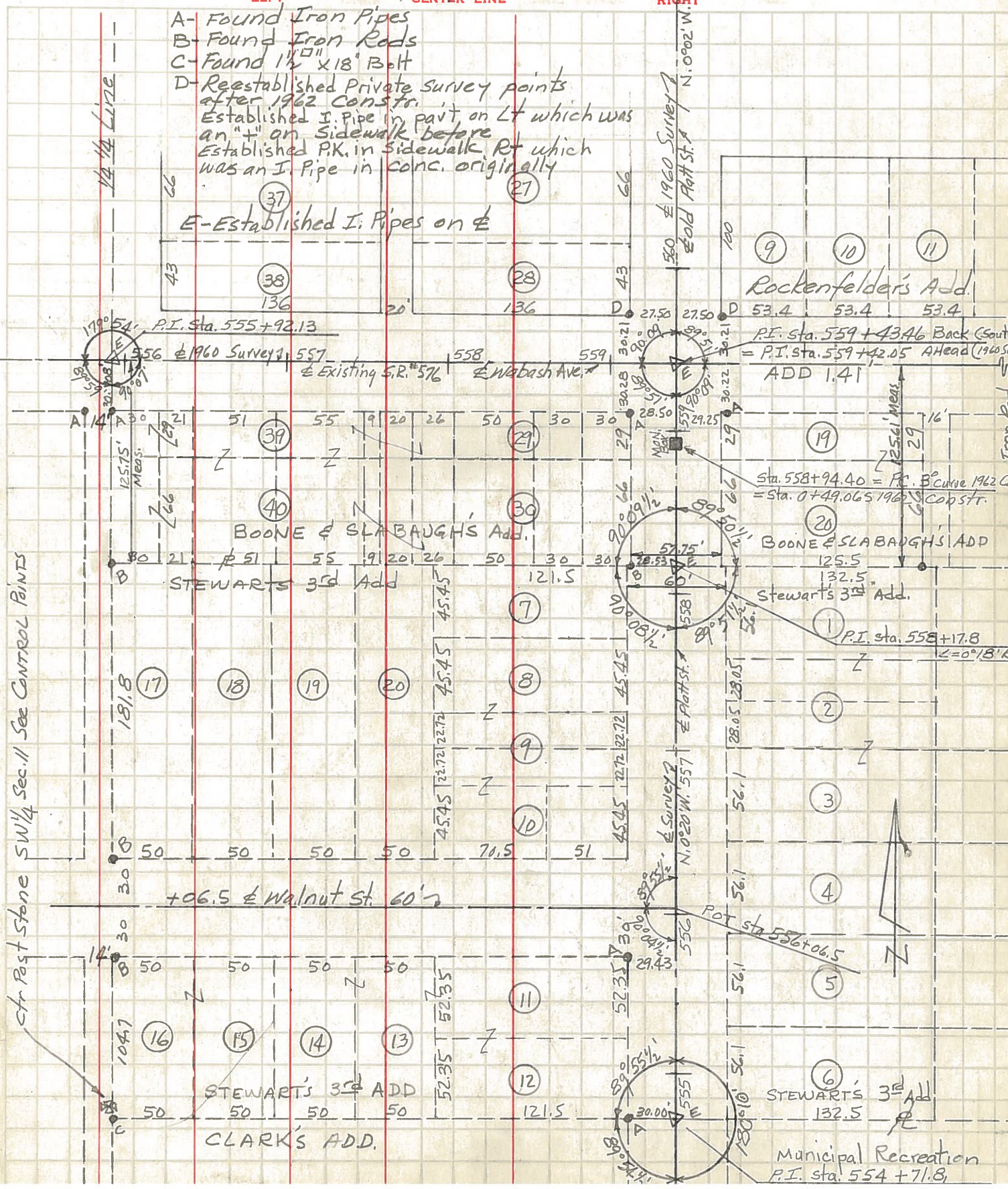
COUNTY Williams DATE Nov '62
 S. R. 576 Relocation WEATHER _____
 SEC. 10.25-11.59 Montpelier TEMP. _____

DESCRIPTION TOPO JOB NO. _____



PERSONNEL TITLE PERSONNEL TITLE COUNTY Williams DATE Nov 62
Red Beach _____
Armbruster _____
Knape _____
Mohler _____
 S. R. 576 Relocation WEATHER _____
 SEC. _____ TEMP. _____

DESCRIPTION ALIGNMENT & Property LINE POINTS JOB NO. _____



- A- Found Iron Pipes
- B- Found Iron Rods
- C- Found 1/2" x 18" Bolt
- D- Reestablished Private survey points after 1962 Constr. Established I. Pipe in pavt on Lt which was an "+" on sidewalk before Established PK. in sidewalk Rt which was an I. Pipe in conc. originally
- E- Established I. Pipes on &

Ctr Post Stone SW 1/4 Sec. 11 See CONTROL POINTS

