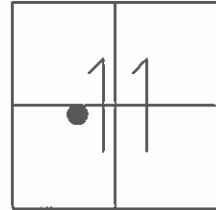


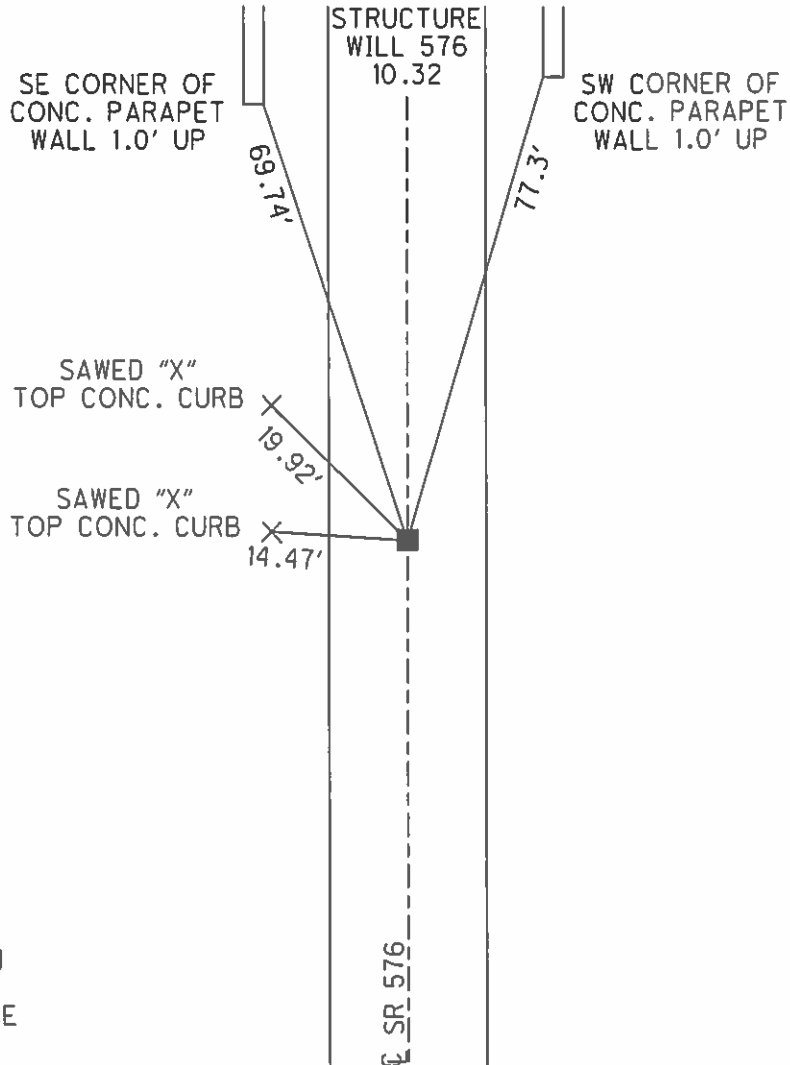
O.D.O.T. DISTRICT 2 SURVEY OFFICE (USE ONLY)

PERSONNEL \_\_\_\_\_ REFERENCE NO. 24 B SHEET 12 OF 32  
 NOTES HOMAN DATE 6-26-12 ROUTE SR 576  
 H.C. ROUSOS WEATHER SUNNY COUNTY WILLIAMS  
 R.C. HOMAN TEMP. 60° TOWNSHIP SUPERIOR  
 \_\_\_\_\_ SECTION 11  
 \_\_\_\_\_ T 7 N R 2 E

TYPE MONUMENT MON BOX  
 ON SURFACE - ~~BELOW~~ ON  
~~LEFT~~ - CL PAV'T - ~~RIGHT~~ ON  
11.8 TO RT EDGE PAVEMENT  
 S.L.M. 569+74.90



Grid: Northing: 703569.0887 Easting: 1391993.6075



FD MON BOX  
 GPS, REF52  
 6-26-12, DCH

13.8' TO FACE  
 OF RT CURB

# O.D.O.T. DISTRICT 2 SURVEY OFFICE

PERSONNEL \_\_\_\_\_

REFERENCE NO. \_\_\_\_\_

SHEET 10 OF 15

NOTES LOEHARKE

H.C. CANTERBURY

R.C. ROMETO

CORDES

DATE 6-15-93

WEATHER CLEAR

TEMP. +68

ROUTE S.R. 576

COUNTY Williams

TOWNSHIP Superior

SECTION 11

T 7 N R 2 W

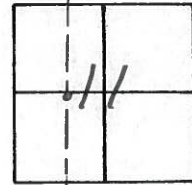
TYPE MONUMENT Mon Box <sup>6x</sup>

ON SURFACE - BELOW Yes

~~LEFT~~ - ~~C~~ PAV'T. - ~~RIGHT~~ Yes

11.8 TO Rt EDGE PAVEMENT

S.L.M. 570+58



24B

