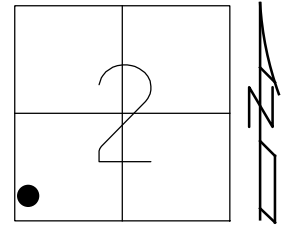


O.D.O.T. DISTRICT 2 SURVEY OFFICE (USE ONLY)

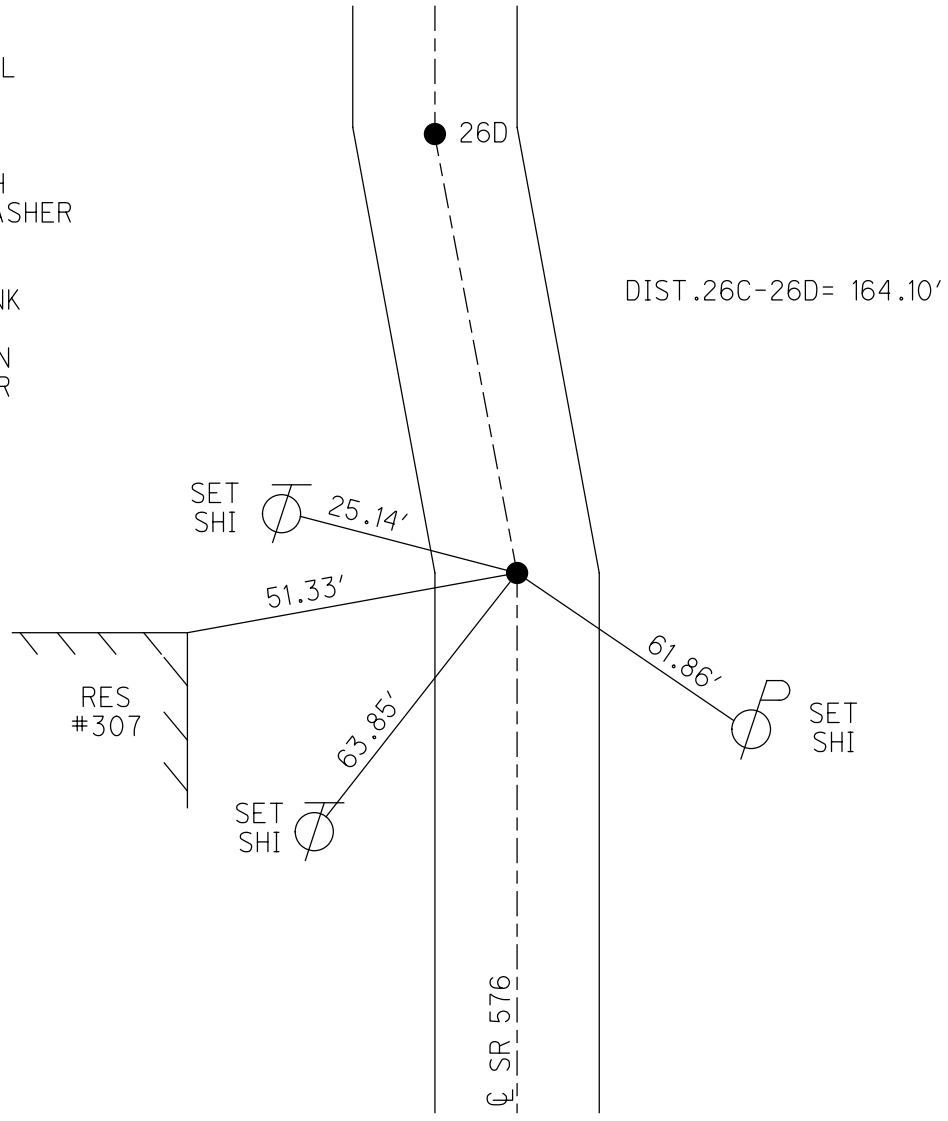
PERSONNEL _____ REFERENCE NO. 26 C SHEET 20 OF 33
 NOTES HOMAN DATE 6/19/12 ROUTE SR 576
 H.C. ROUSOS WEATHER SUNNY COUNTY WILLIAMS
 R.C. HOMAN TEMP. 80° TOWNSHIP SUPERIOR
 DWG BY RHOADES PID CHIP SEAL SECTION 2
 T 7 N R 2 E

TYPE MONUMENT P.K.NAIL
 ON SURFACE - ~~BELOW~~ ON
 OFFSET ☉ PAVEMENT ON LT : RT
13.6' TO RT EDGE PAVEMENT
 STATION: 618+14.63

HORZ.DATUM: NAD83 2011 GEOID: NAVD88 2018
 GRID: NORTHING: 707057.861 EASTING: 1390769.343



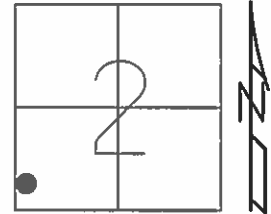
RECORD:
 SET P.K.NAIL
 IRS, 9-4-86
 CNPT
 REF60
 6-21-12, DCH
 SET MAG/WASHER
 NEWREF60
 2-5-13, DCH
 FD P.K.SHANK
 REFC26
 7/5/22, TDN
 3/8/23, JMR



O.D.O.T. DISTRICT 2 SURVEY OFFICE (USE ONLY)

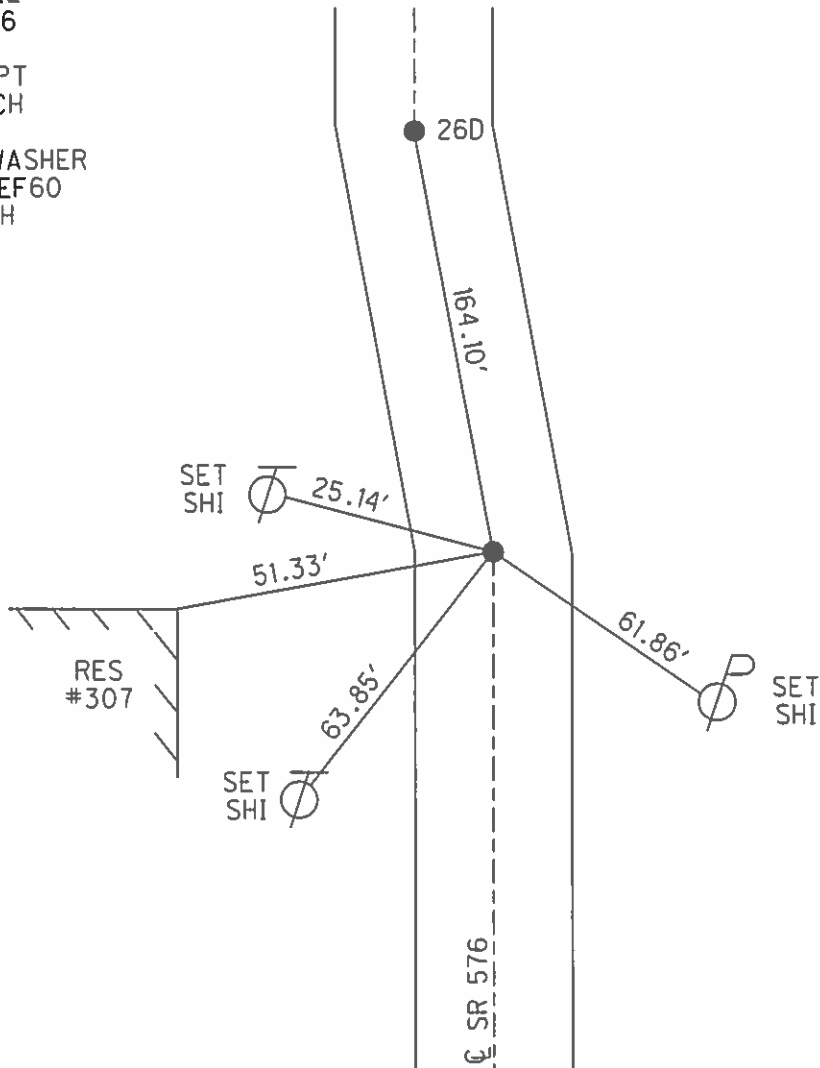
PERSONNEL	REFERENCE NO.	<u>26 C</u>	SHEET	<u>20</u>	OF	<u>32</u>
NOTES	<u>HOMAN</u>	DATE	<u>6-21-12</u>	ROUTE	<u>SR 576</u>	
H.C.	<u>ROUSOS</u>	WEATHER	<u>SUNNY</u>	COUNTY	<u>WILLIAMS</u>	
R.C.	<u>HOMAN</u>	TEMP.	<u>80°</u>	TOWNSHIP	<u>SUPERIOR</u>	
				SECTION	<u>2</u>	
				T	<u>7</u>	R
					<u>N</u>	<u>2</u>
					<u>E</u>	

TYPE MONUMENT PK NAIL
 ON SURFACE - ~~BELOW~~ ON
 LEFT - ☉ PAV'T - RIGHT _____
 _____ TO _____ EDGE PAVEMENT
 S.L.M. 618+14.63



Grid: Northing: 707057.814 Easting: 1390769.298

SET PK NAIL
 IRS, 9-4-86
 REF60, CNPT
 6-21-12, DCH
 SET MAG/WASHER
 GPS, NEWREF60
 2-5-13, DCH



O.D.O.T. DISTRICT 2 SURVEY OFFICE

PERSONNEL

REFERENCE NO. _____

SHEET 1 OF _____

NOTES 1. Stone

H.C. D. Curtis

DATE 8 April 86

ROUTE SR 576

R.C. R. Michalek

WEATHER Cool

COUNTY Williams

J. Householder

TEMP. 50°

TOWNSHIP Superior

SECTION 2

T _____ R _____

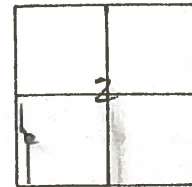
TYPE MONUMENT PK Nail

ON SURFACE - BELOW surface

LEFT - ☉ PAV'T. - RIGHT _____

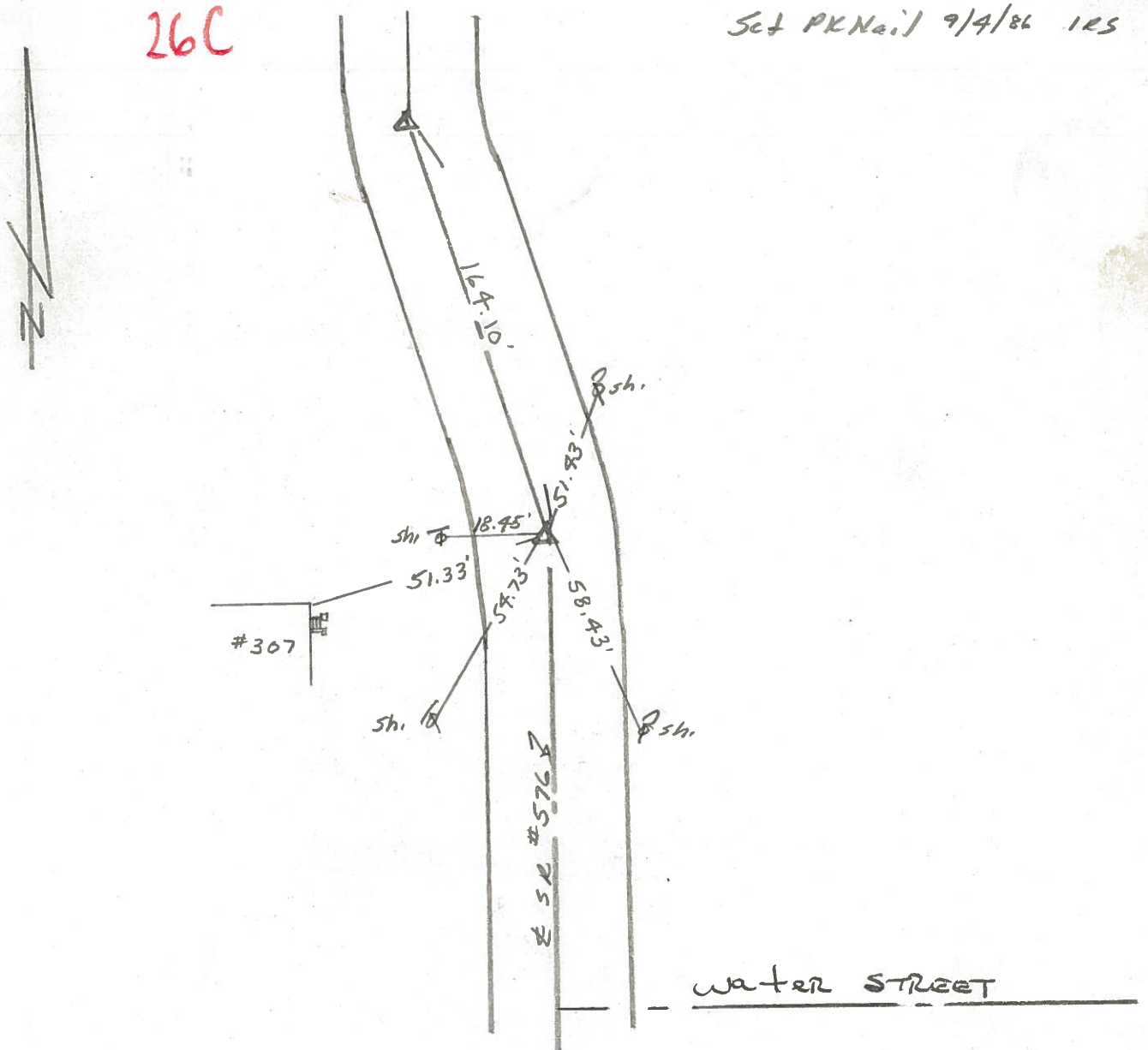
TO _____ EDGE PAVEMENT

S.L.M. 618 +78



26C

Set PK Nail 9/4/86 125



County Williams S.R. 576

Date 16 Feb. 1982

Township Superior

Weather Cool

Section 2

Temp. 35°

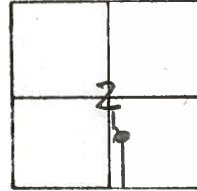
T7N, R2E

Personnel I. Stone

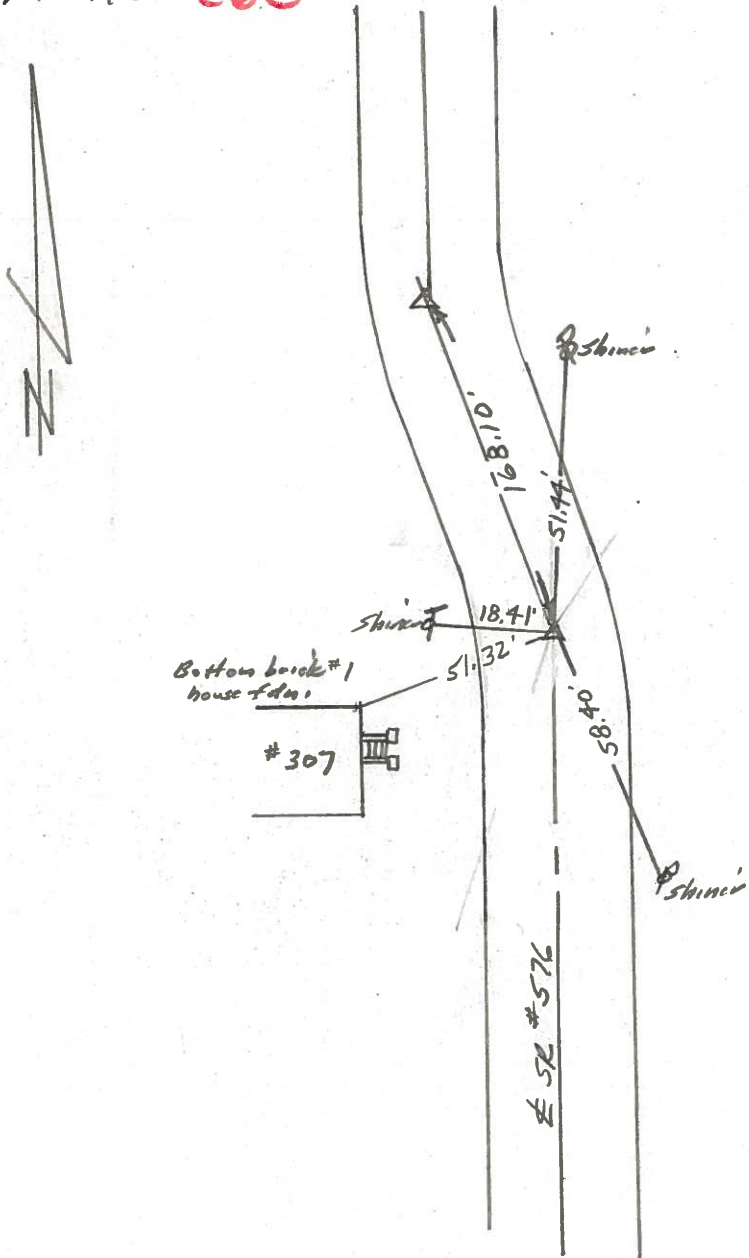
P. Newser

R. Michalok

D. Curtis



REF. NO. 26C



Set PK Nail as per refs.
Old Sta. P.I. 6+28.24
SLM Sta. 618+84.85
 $\Delta = 12^{\circ}09' Lt. (Plan)$
 $\Delta = 12^{\circ}08'20'' Lt. (Meas)$
15.4' to E. edge put,
16.2' to W. edge put.